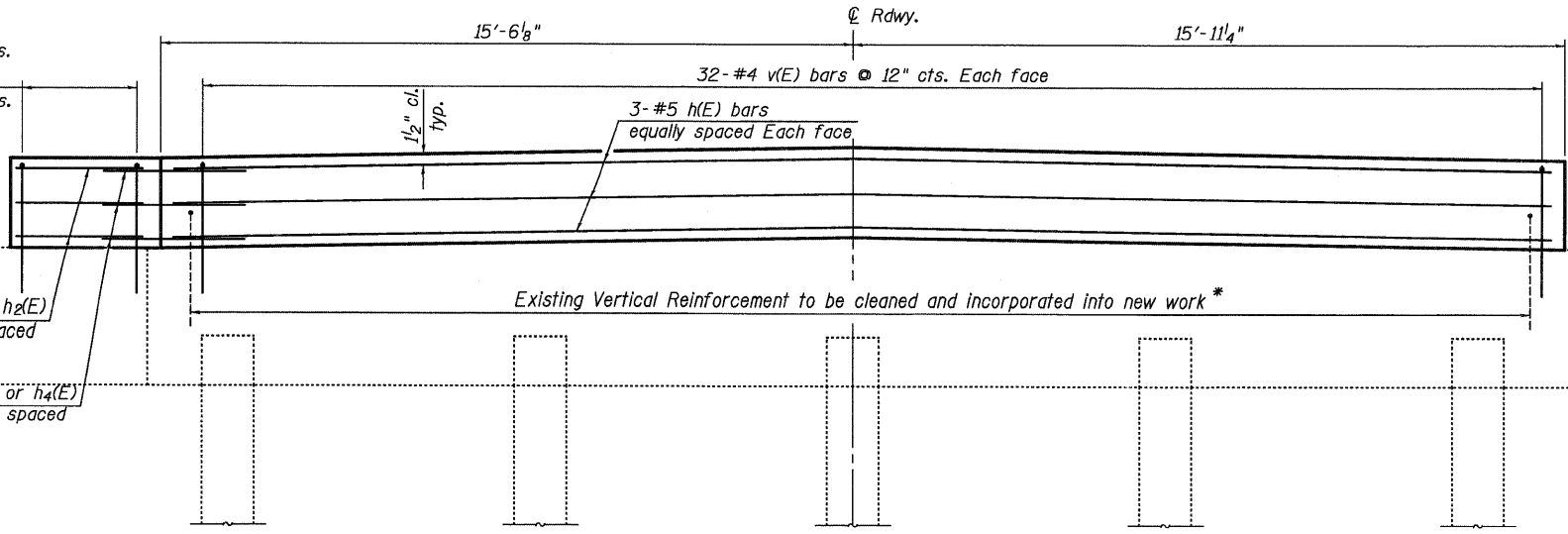


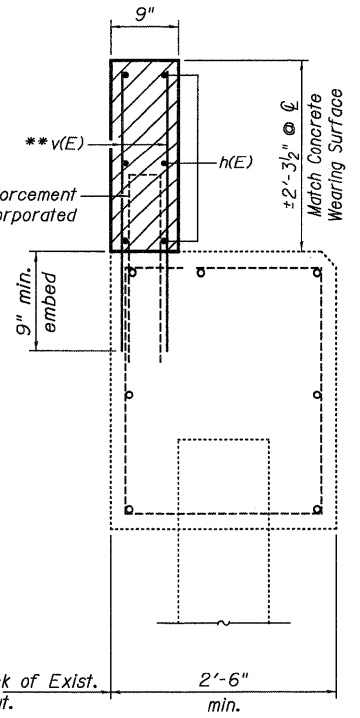
FILENAME: I:\jobs\devitt county\7211 ch 10 over n fork salt creek\cadd\CADD Sheets\0203900-00000.dgn

20- #4 V(E) bars @ 12" cts.  
(S.W & N.E. Wingwalls)  
22- #4 V(E) bars @ 12" cts.  
(N.W & S.E. Wingwalls)

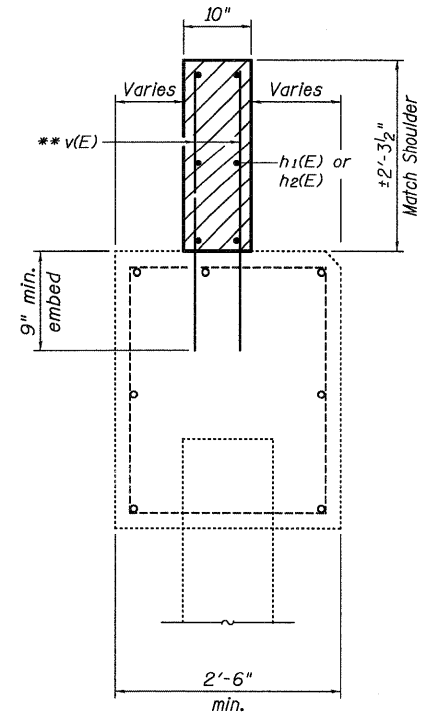


**ELEVATION**

Existing Vertical Reinforcement to be cleaned and incorporated into new work \*



**SECTION A-A**

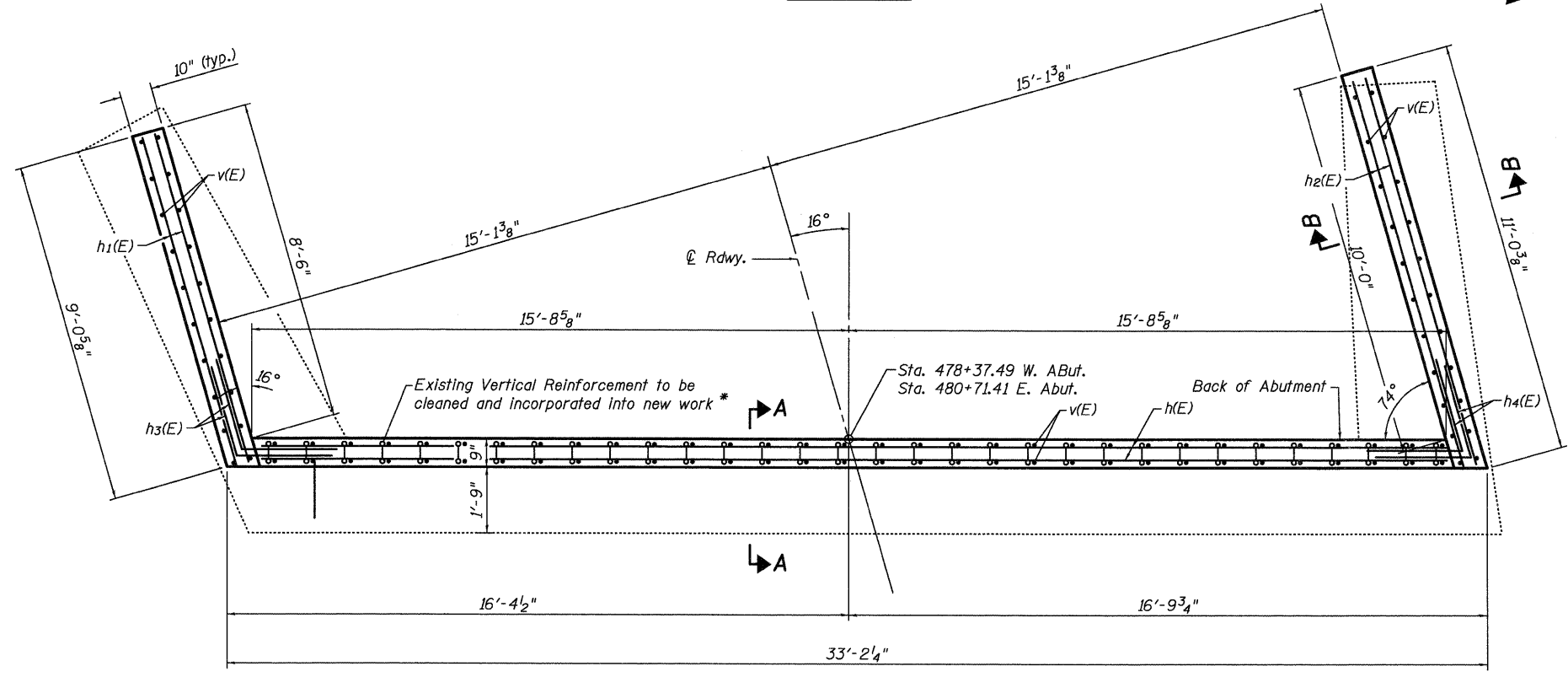


**SECTION B-B**

Note: Hatched areas to be poured after wearing surface is in place.

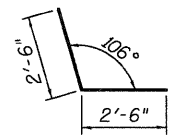
\* Cost included with Concrete Structures.

\*\* Drill and epoxy grout according to Section 584 of the Standard Specs. Cost Included with Concrete Structures.

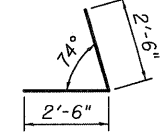


**PLAN**

West Abutment Shown - East Abutment Similar



**BAR h3(E)**



**BAR h4(E)**

**BILL OF MATERIAL  
TWO ABUTMENTS**

Bar	No.	Size	Length	Shape
h(E)	12	#4	31'-1"	—
h1(E)	12	#4	8'-8"	—
h2(E)	12	#4	10'-8"	—
h3(E)	12	#4	5'-0"	L
h4(E)	12	#4	5'-0"	L
V(E)	212	#4	3'-0"	—
Reinforcement Bars, Epoxy Coated			Pound	910
Concrete Structures			Sq. Yd.	7.4

USER NAME = dheberling	DESIGNED - FLL	REVISED
PLOT SCALE = @ 1/16" = 1' IN.	DRAWN - DLH	REVISED
PLOT DATE = 8/18/2009	CHECKED - CWC	REVISED
	DATE -	REVISED

**WHKS & CO.**  
ENGINEERING  
7018 KINGSMILL CT.,  
SPRINGFIELD, IL  
(217) 483-9457  
DESIGN FIRM #184001036

**STATE OF ILLINOIS  
DEPARTMENT OF TRANSPORTATION**

<b>ABUTMENTS</b>		
<b>CH 10 OVER NORTH FORK SALT CREEK</b>		
SCALE:	SHEET NO. 9 OF 11 SHEETS	§ STA.

F.A.S. RTE.	SECTION	COUNTY	TOTAL SHEETS	SHEET NO.
543	09-00025-01-BR	DEWITT	17	15
S.N. 020-3900		CONTRACT NO. 91423		
FED. ROAD DIST. NO.	ILLINOIS FED. AID PROJECT			