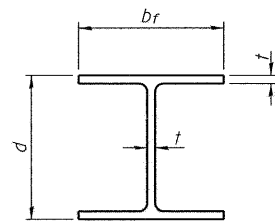
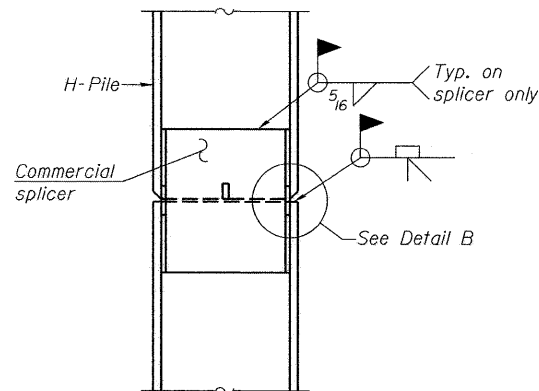


STATE OF ILLINOIS  
DEPARTMENT OF TRANSPORTATION

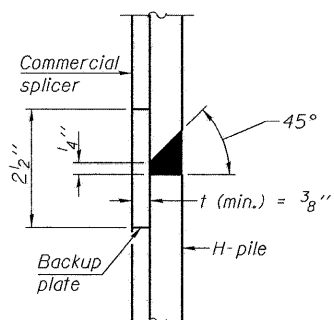


STEEL PILE TABLE

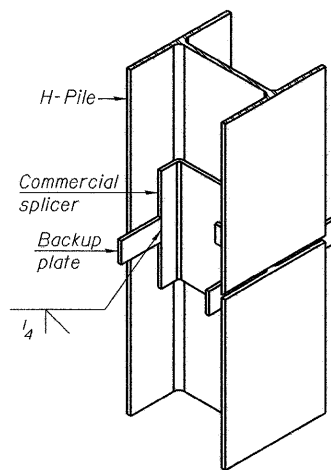
Designation	Depth d	Flange width b <sub>f</sub>	Web and Flange thickness t	Encasement diameter A
HP 14x117	14 1/4"	14 7/8"	13/16"	30"
x102	14"	14 3/4"	1/16"	30"
x89	13 7/8"	14 3/4"	5/8"	30"
x73	13 5/8"	14 5/8"	1/2"	30"
HP 12x84	12 1/4"	12 1/4"	1/16"	24"
x74	12 1/8"	12 1/4"	5/8"	24"
x63	12"	12 1/8"	1/2"	24"
x53	11 3/4"	12"	7/16"	24"
HP 10x57	10"	10 1/4"	9/16"	24"
x42	9 3/4"	10 1/8"	7/16"	24"
HP 8x36	8"	8 1/8"	7/16"	18"



ELEVATION

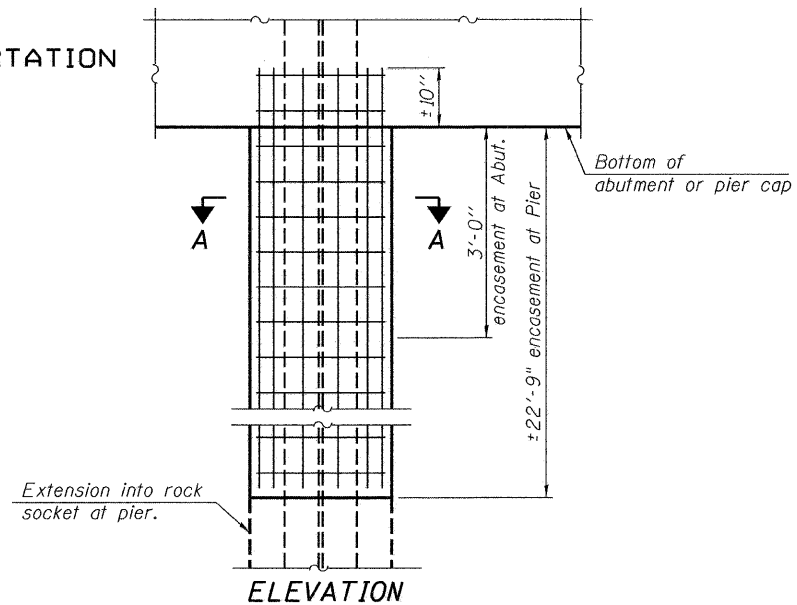


DETAIL "B"



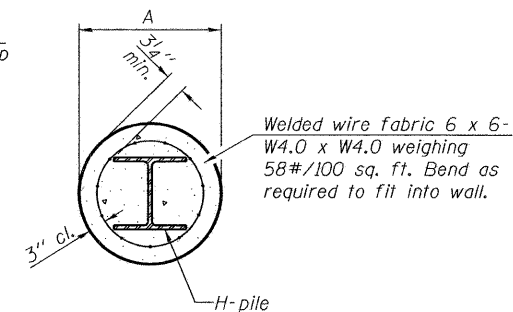
ISOMETRIC VIEW

WELDED COMMERCIAL SPLICE



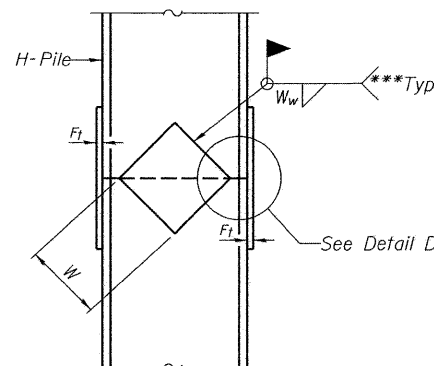
ELEVATION

PILE ENCASEMENT

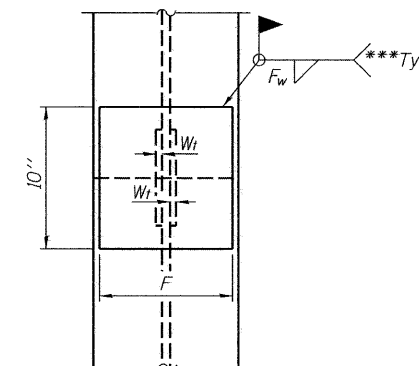


SECTION A-A

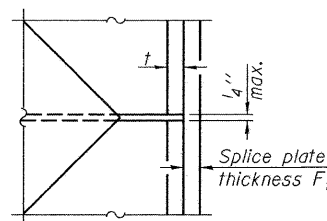
Note:  
Forms for encasement may be omitted when soil conditions permit.



ELEVATION



END VIEW



DETAIL D

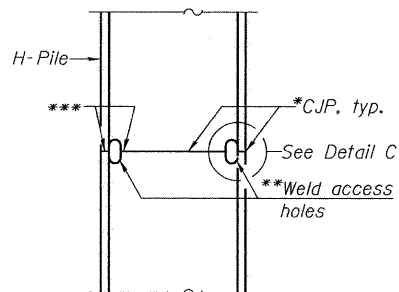
Designation	F	F <sub>t</sub>	F <sub>w</sub>	W	W <sub>t</sub>	W <sub>w</sub>
HP 14x117	12 1/2"	1"	7/8"	7 3/4"	5 1/8"	1/2"
x102	12 1/2"	7/8"	3/4"	7 3/4"	5 1/8"	1/2"
x89	12 1/2"	3/4"	1/16"	7 3/4"	5 1/8"	1/2"
x73	12 1/2"	5/8"	9/16"	7 3/4"	5 1/8"	1/2"
HP 12x84	10"	7/8"	1/16"	6 1/2"	5 1/8"	1/2"
x74	10"	7/8"	1/16"	6 1/2"	5 1/8"	1/2"
x63	10"	5/8"	1/2"	6 1/2"	1/2"	3/8"
x53	10"	5/8"	1/2"	6 1/2"	1/2"	3/8"
HP 10x57	8"	3/4"	9/16"	5 1/4"	1/2"	3/8"
x42	8"	5/8"	9/16"	5 1/4"	1/2"	3/8"
HP 8x36	7"	5/8"	7/16"	4 1/4"	1/2"	3/8"

WELDED PLATE FIELD SPLICE

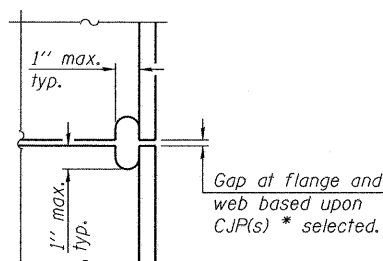
Note:  
The steel H-piles shall be according to AASHTO M270 Grade 50.

\* Use joint conforming to Figure 3.4 in AWS D1.1, Structure Welding Code - Steel.  
\*\* Preparation per Fig. 5.2 in AWS D1.1, Structure Welding Code - Steel.  
\*\*\* Interrupt welds 1/4" from end of each pile.

COMPLETE PENETRATION WELD SPLICE

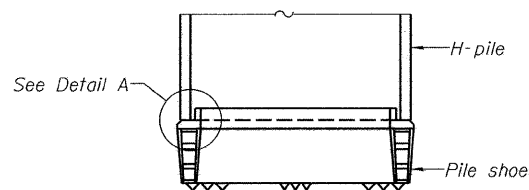


ELEVATION

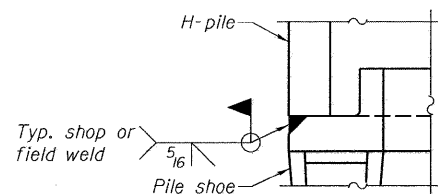


DETAIL C

Gap at flange and web based upon CJP(s) \* selected.



ELEVATION



DETAIL A

H-PILE SHOE ATTACHMENT

DESIGNED CMF
CHECKED TMM
DRAWN RNH
CHECKED TMM

HP PILE DETAILS  
STRUCTURE NO. 068-3358

McDonough-Whitlow, P.C. Consulting Engineers & Land Surveyors 138 East Wood Street Hillsboro, IL 62049 Phone: 217.532.9233 Fax: 217.532.6300 PROFESSIONAL DESIGN NO. 184-002754	SHEET NO. 10	F.A.S. RTE.	SECTION	COUNTY	TOTAL SHEETS	SHEET NO.
	12 SHEETS	721	08-00128-00 BR	MONTGOMERY	22	16
FED. ROAD DIST. NO. _ ILLINOIS FED. AID PROJECT						