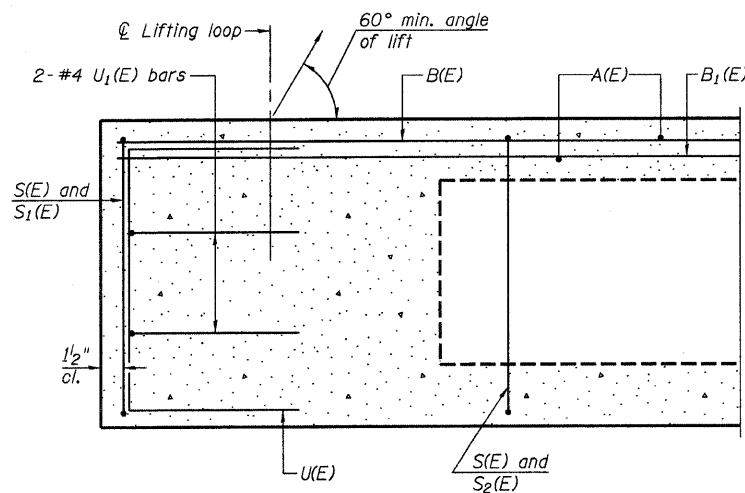
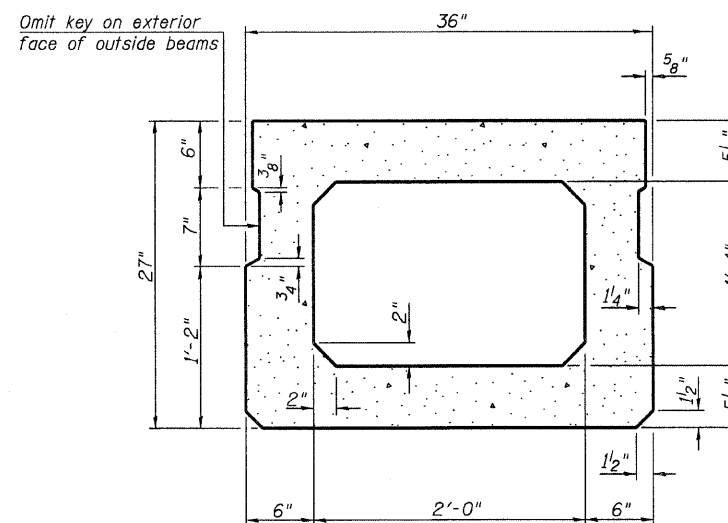


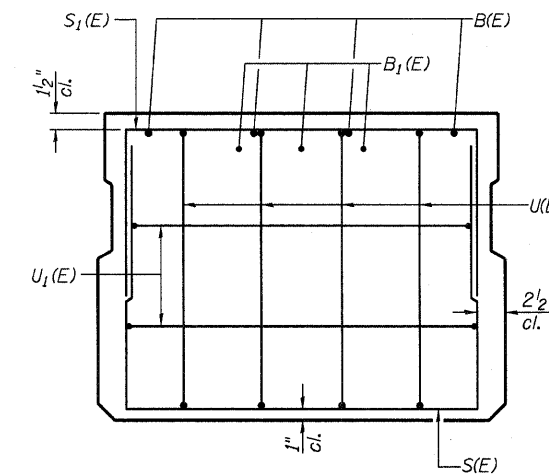
ROUTE	SECTION	COUNTY	TOTAL SHEETS	SHEET NO.
TR 140	07-11120-00-BR	FAYETTE	10	5
		ILLINOIS		



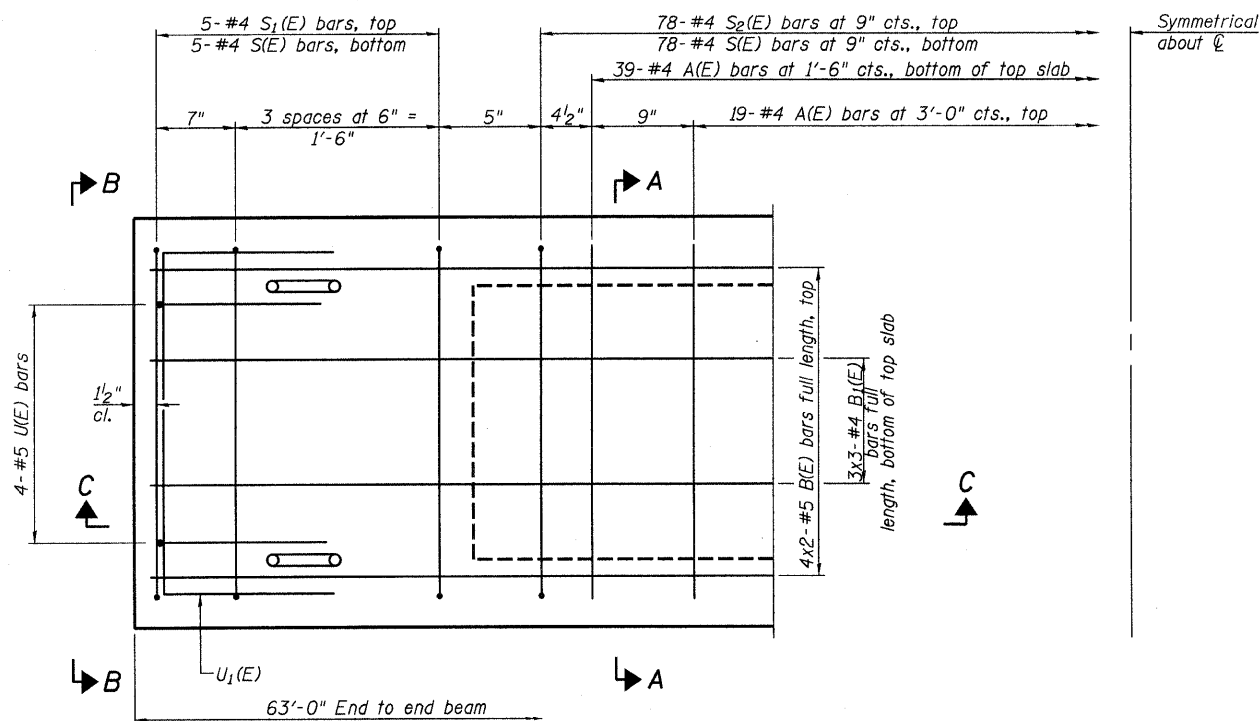
SECTION C-C



SECTION A-A
(Showing dimensions)

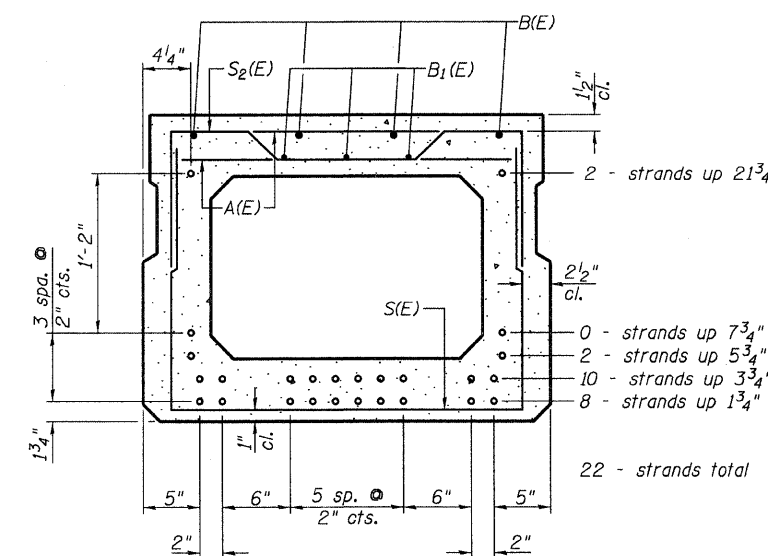


VIEW B-B



PLAN VIEW

Note: Spacing of S(E) and S₂(E) bars may be adjusted up to 4" in the immediate area of the transverse tie diaphragms to miss the block outs for the transverse ties.
Bars indicated thus 4x2-#5 etc. indicates 4 lines of bars with 2 lengths per line.



SECTION A-A

(Showing reinforcement and permissible strand locations)
Note: Place the number of strands specified in each row symmetrically about the centerline of beam in the permissible strand locations shown.

BAR LIST
ONE BEAM ONLY
(For information only)

Bar	No.	Size	Length	Shape
A(E)	58	#4	2'-7"	—
B(E)	8	#5	32'-9"	—
B ₁ (E)	9	#4	22'-6"	—
S(E)	88	#4	6'-5"	⌊
S ₁ (E)	10	#4	6'-3"	⌊
S ₂ (E)	78	#4	6'-6"	⌊
U(E)	8	#5	4'-6"	⌊
U ₁ (E)	4	#4	5'-0"	⌊

Note: See sheet 6 of 10 for additional details and Bill of Material.

27" X 36" PPC DECK BEAMS

PPC DECK BEAM DETAILS
PROPOSED BRIDGE OVER
BEAR CREEK
TR 140
SECTION 07-11120-00-BR
FAYETTE COUNTY, ILLINOIS