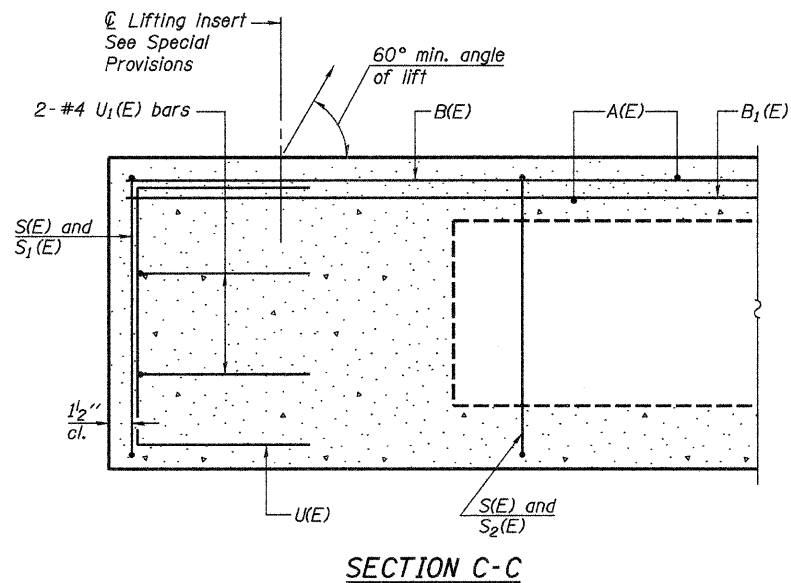


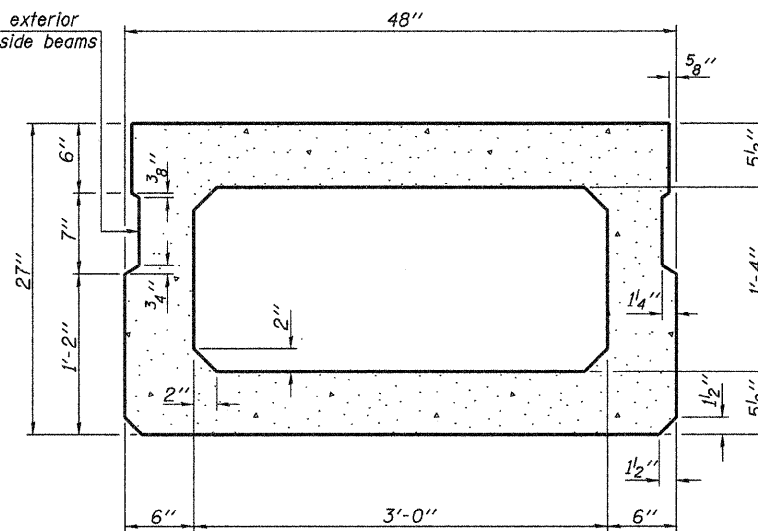
ROUTE NO.	SECTION	COUNTY	TOTAL SHEETS	SHEET NO.
TR 512	08-08123-00-BR	FAYETTE	14	8
FED. ROAD DIST. NO.		ILLINOIS	PROJECT	

CONTRACT NO. 95595

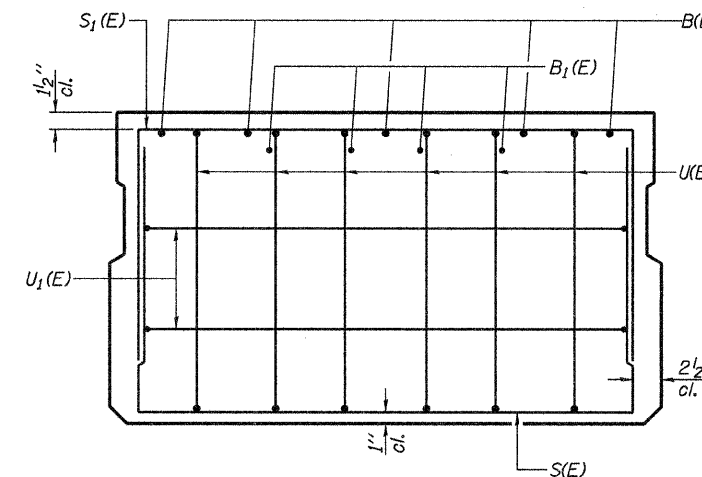


SECTION C-C

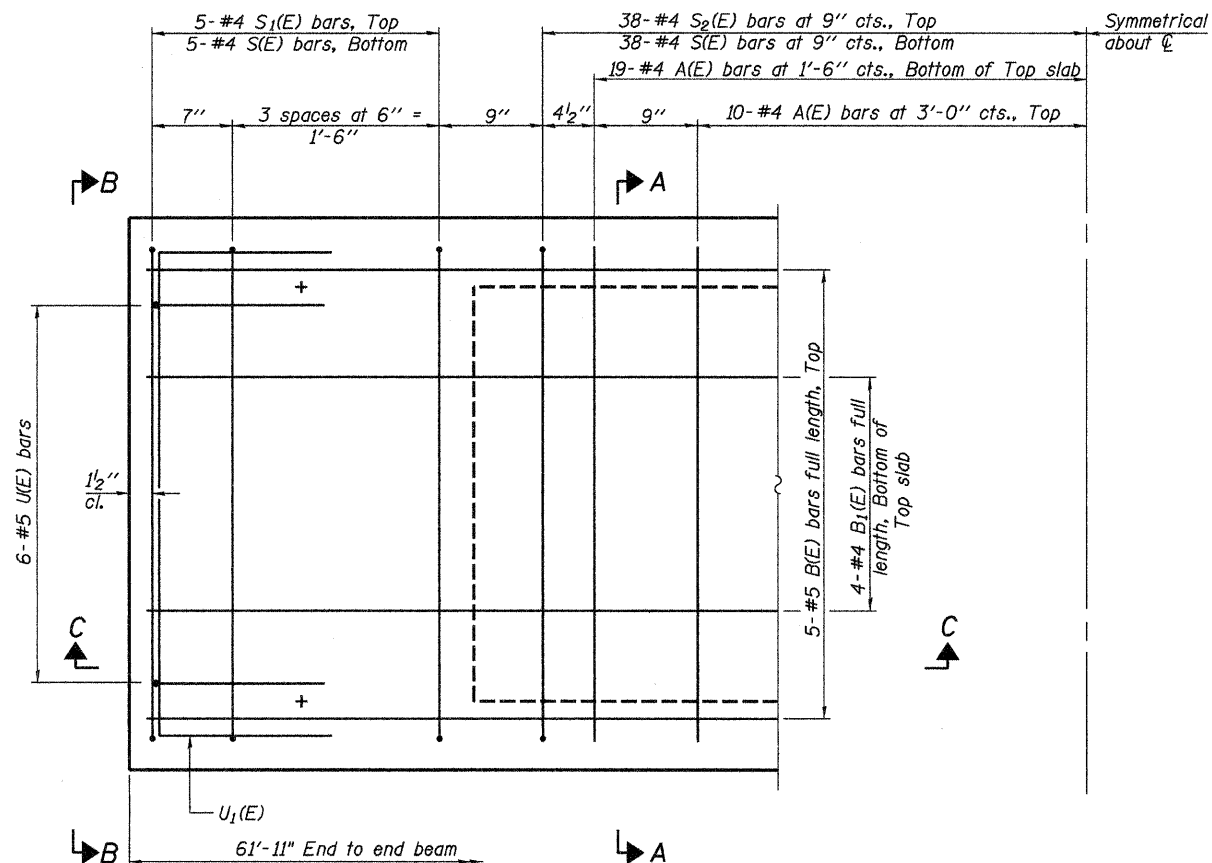
Omit key on exterior face of outside beams



SECTION A-A  
(Showing dimensions)

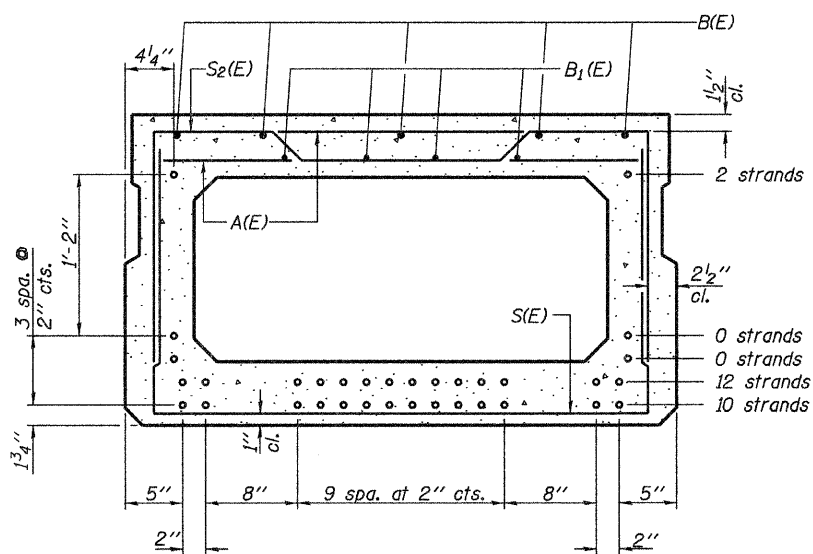


VIEW B-B



PLAN VIEW

Note: Spacing of S(E) and S2(E) bars may be adjusted up to 4" in the immediate area of the transverse tie diaphragms to miss the block outs for the transverse ties.



SECTION A-A

(Showing reinforcement and permissible strand locations)  
Note: Place the number of strands specified in each row symmetrically about the centerline of beam in the permissible strand locations shown.

Strands: 24 - 1/2"φ strands.

**BAR LIST**  
**ONE BEAM ONLY**  
(For information only)

Bar	No.	Size	Length	Shape
A(E)	58	#4	3'-7"	—
B(E)	5	#5	61'-8"	—
B1(E)	4	#4	61'-8"	—
S(E)	86	#4	7'-5"	⌊
S1(E)	10	#4	6'-11"	⌊
S2(E)	76	#4	7'-2"	⌊
U(E)	12	#5	4'-6"	⌊
U1(E)	4	#4	6'-0"	⌊

Note: See sheet SLM-PD-2748-0D for additional details.  
See sheet SLM-CS-2427-62 for Bill of Material.

<b>AECOM</b> <small>2524 S. Broadway Salem, Illinois 62881 618.548.3500 IL Design Firm Reg. No. 184-003705 www.aecom.com</small>	<b>SLM-PD-2748-0</b> <b>P.P.C. DECK BEAM</b> <b>DETAILS AND SECTIONS</b>
	<b>24' ROADWAY</b> <b>27" x 48" BEAMS</b> <b>0° SKEW</b>
Date: 07/27/09 Design: MRQ Drawn: BLT Job No.: 200804643	