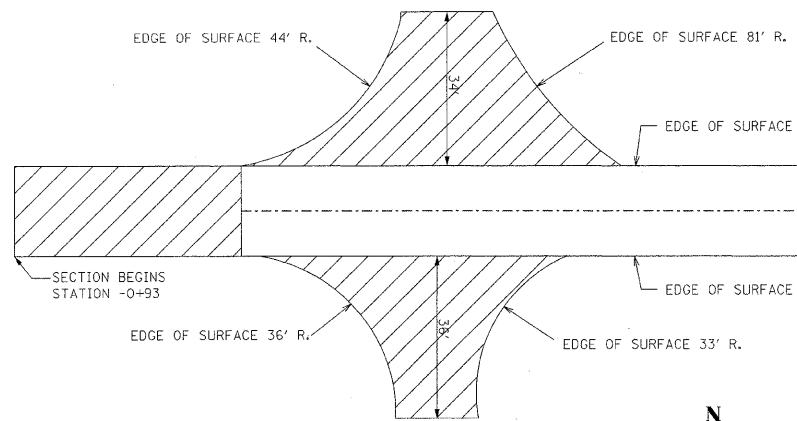
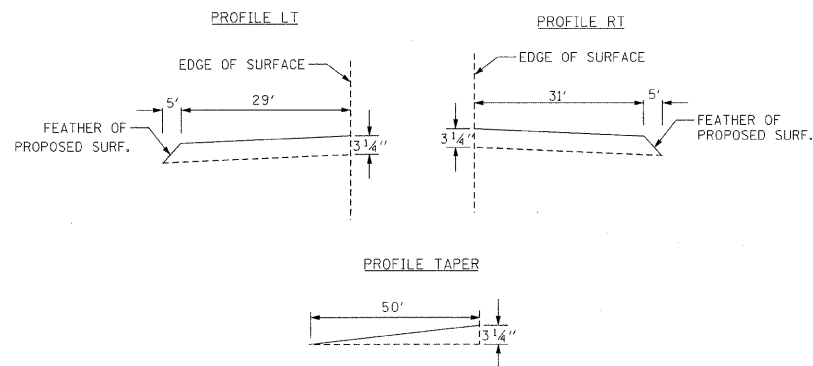


F.A.S.	SECTION	COUNTY	TOTAL SHEETS	SHEET NO.
1819	09-0080-00-RS	WABASH	4	3
FED. ROAD DIST. NO. 7	ILLINOIS	GOODSON ORCHARD ROAD		
LEC JOB #	CONTRACT #			
H091019WB	95596			

DETAIL OF INTERSECTION 0+03 LT AND 0+00 RT AND TAPER STA. -0+93 TO STA. 07+43

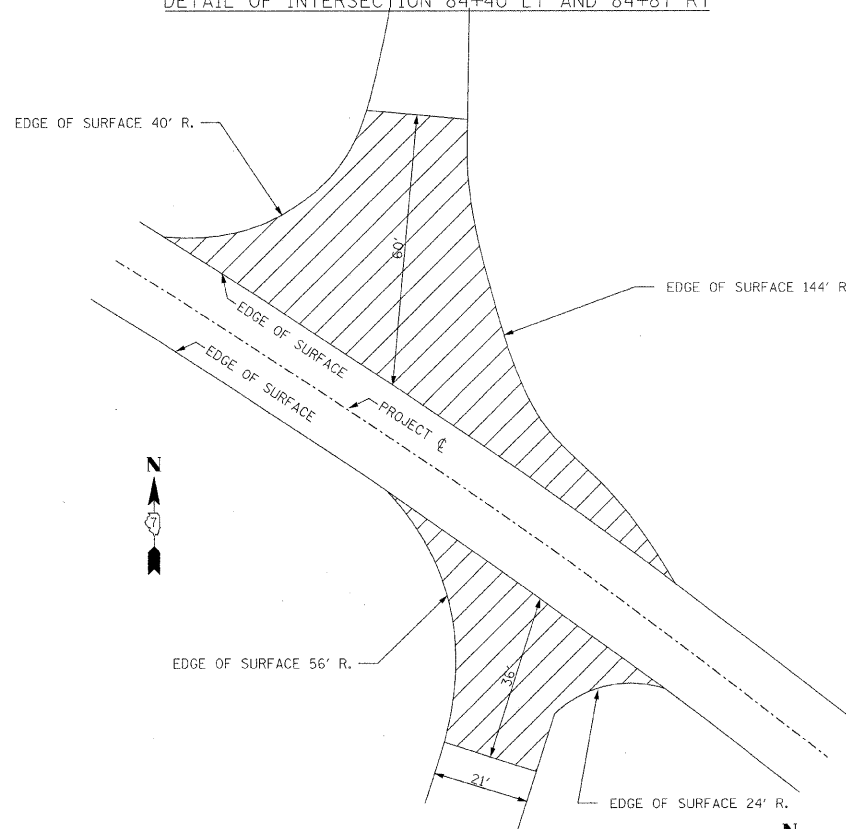


NOTE: THE QUANTITY SHOWN FOR HOT-MIX ASPHALT SURFACE COURSE, MIX "C", N70 INCLUDES 28.9 TONS OF MATERIAL FOR THE SIDEROAD LT APPROACH AND RADII; 21.8 TONS OF MATERIAL FOR THE SIDEROAD RT. APPROACH AND RADII; AND 10.1 TONS OF MATERIAL FOR THE TAPER FROM STATION -0+93 TO STATION 0+43.

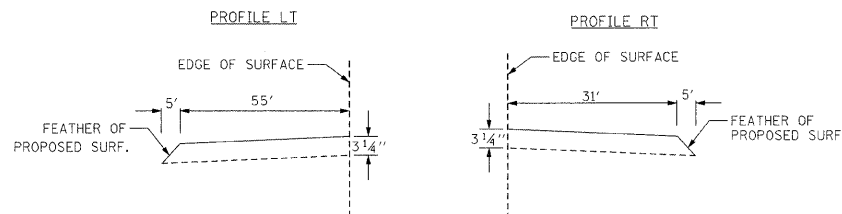


DETAILS OF SURFACING AT INTERSECTIONS AND SIDEROADS

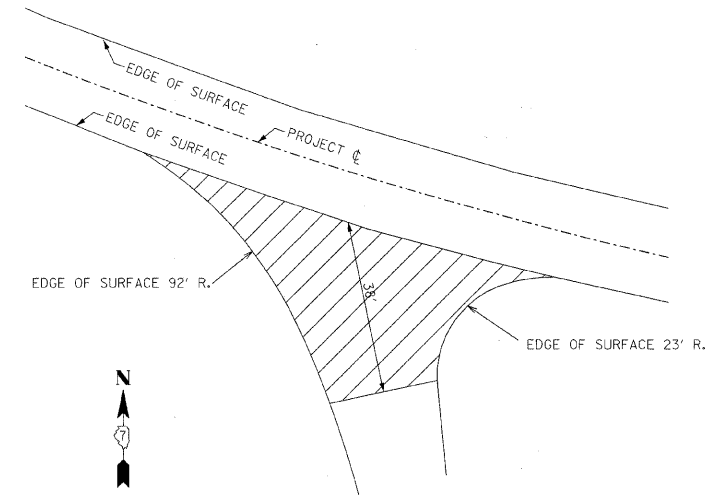
DETAIL OF INTERSECTION 84+40 LT AND 84+87 RT



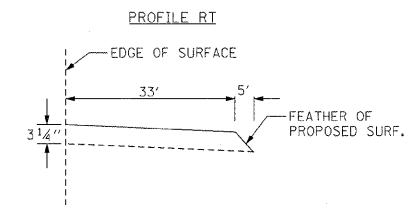
NOTE: THE QUANTITY SHOWN FOR HOT-MIX ASPHALT SURFACE COURSE, MIX "C", N70 INCLUDES 60.4 TONS OF MATERIAL FOR THE SIDEROAD LT APPROACH AND RADII AND 24.5 TONS OF MATERIAL FOR THE SIDEROAD RT. APPROACH AND RADII.



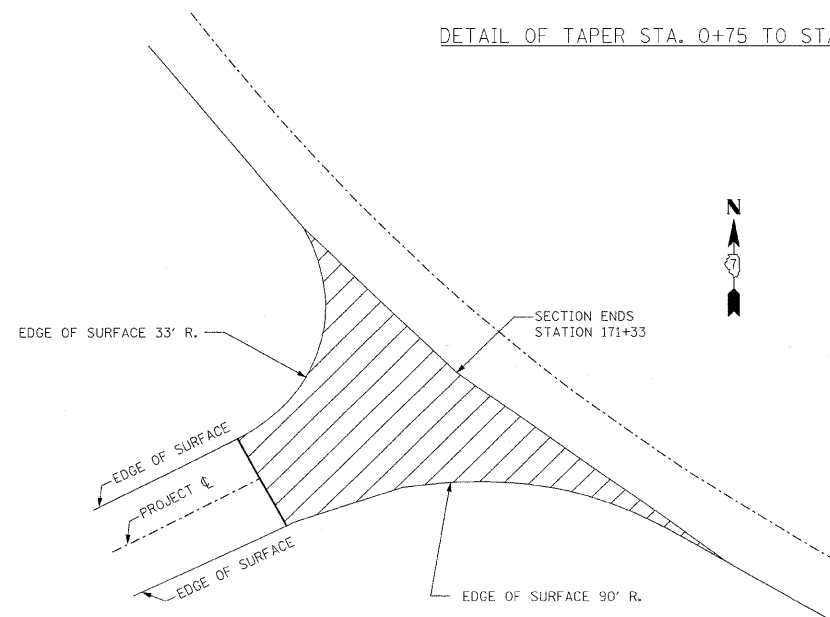
DETAIL OF INTERSECTION 95+11 RT



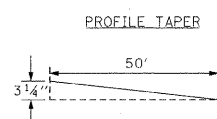
NOTE: THE QUANTITY SHOWN FOR HOT-MIX ASPHALT SURFACE COURSE, MIX "C", N70 INCLUDES 32.6 TONS OF MATERIAL FOR THE SIDEROAD RT



DETAIL OF TAPER STA. 0+75 TO STA. 1+25



NOTE: THE QUANTITY SHOWN FOR HOT-MIX ASPHALT SURFACE COURSE, MIX "C", N70 INCLUDES 23.8 TONS OF MATERIAL FOR THE TAPER FROM STATION 170+83 TO STATION 171+33.



323 W. 3RD ST.
P.O. BOX 160
MT. CARMEL, IL
62863
PHONE:
(618)-262-8651
FAX:
(618)-263-3327

405 W. STATE ST.
SUITE 1
PRINCETON, IN
47670
PHONE:
(812)-386-7611
FAX:
(812)-385-2812



PROFESSIONAL
DESIGN FIRM
LAND SURVEY &
PROFESSIONAL
ENGINEERING
CORPORATION
184-000887
(62-032435)(35-002769)



AARON M. MEFFORD
NAME
Aaron M. Mefford
SIGNATURE
7-31-09
DATE
11-30-09
EXPIRES