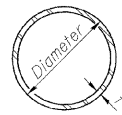


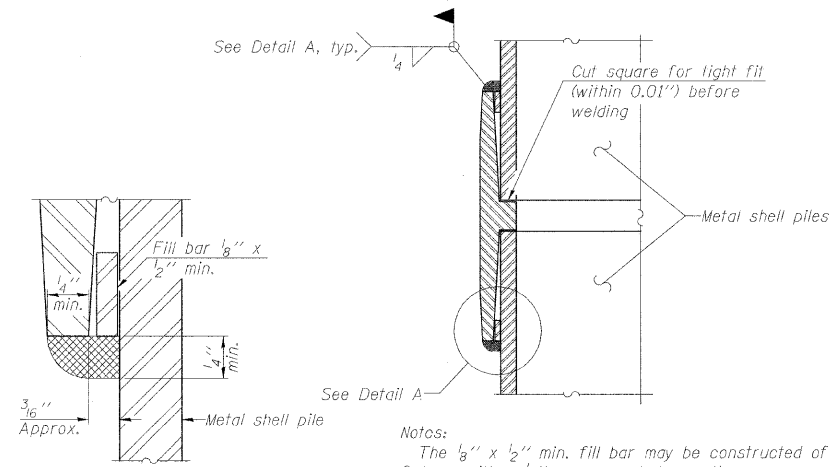
ROUTE NO.	SECTION	COUNTY	TOTAL SHEETS	SHEET NO.
F.A.S. 548	05-00196-00-BR	MACON	17	17
FED. ROAD DIST. NO.		ILLINOIS	PROJECT: ARA-0548(103)	

CONTRACT NO. 95599



METAL SHELL PILE TABLE

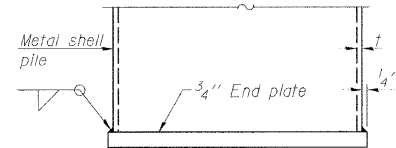
Designation and outside diameter	Wall thickness t	Weight per foot (Lbs./ft.)	Inside volume (yd. ³ /ft.)
PP12	0.179"	22.60	0.0274
PP12	0.250"	31.37	0.0267
PP14	0.250"	36.71	0.0368
PP14	0.312"	45.61	0.0361



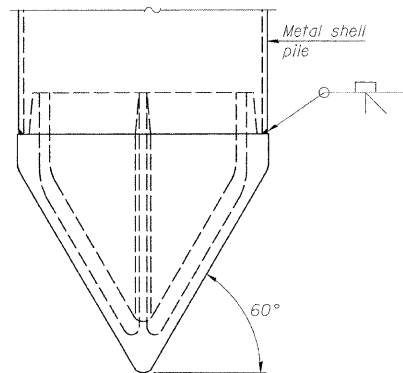
Notes:
 The $\frac{1}{8}$ " x $\frac{1}{2}$ " min. fill bar may be constructed of 2 bars with a $\frac{1}{8}$ " max. gap between them.
 Pile segments shall be driven to solid contact with splicer before welding.

DETAIL A

WELDED COMMERCIAL SPLICE



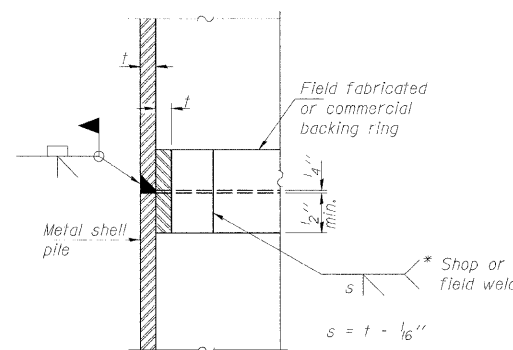
END PLATE ATTACHMENT



METAL SHELL PILE SHOE ATTACHMENT

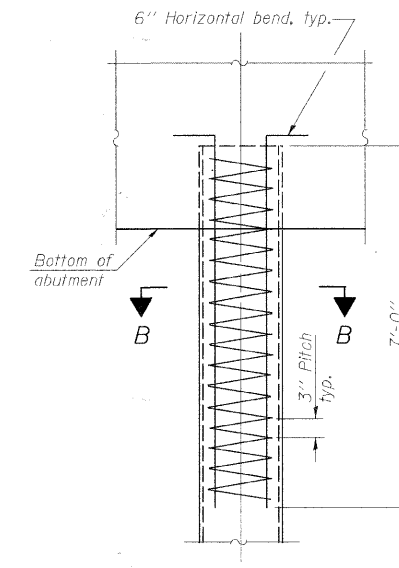
(See Note A)

Note A:
 When called for on the plans, the Contractor shall furnish metal shell pile shoes consisting of a single piece conical pile point as shown. The pile shoes shall be cast in one piece steel according to either ASTM A 148 Grade 90-60 or AASHTO M 103 Grade 65-35 and shall provide full bearing over the full circumference of the metal shell pile. The pile shoe shall have tapered leads to assure proper alignment and fitting and shall be secured to the pile with a circumferential weld.



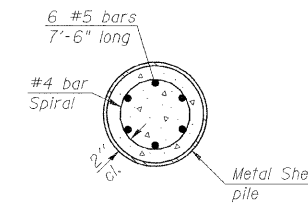
COMPLETE PENETRATION WELD SPLICE

* Field fabricated backing ring may be made from pile shell by removing segment to allow reducing circumference and vertically rejoin with partial joint penetration weld.



ELEVATION

METAL SHELL REINFORCEMENT AT ABUTMENTS



SECTION B-B

**METAL SHELL PILE DETAILS
 STRUCTURE NO. 058-3378**

Note: The metal shell piles shall be according to ASTM A 252 Grade 3.

PILE DETAILS			Sheet No.
Date	Designed MJP	F.A.S. 548 OVER LAKE FORK CREEK SECTION 05-00196-00-BR MACON COUNTY STA. 15+00.00 PROP. STR. NO. 058-3378	6 of 6
Revisions	Drawn BKN		
	Checked KWB		
	Approved KWB		
Prepared by:	URS 3040 North University Avenue Decatur, IL 62526		URS Job No. 36431681