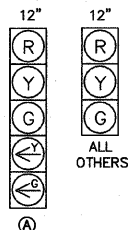
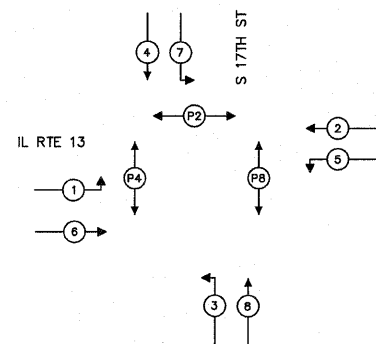


F.A. RTE.	SECTION	COUNTY	TOTAL SHEETS	SHEET NO.
9167	05-00207-00-PV	ST. CLAIR	89	45
STA.		TO STA.		
FED. ROAD DIST. NO.		ILLINOIS FED. AID PROJECT		

LOOP #	DIRECTION	PHASE	LOOP SIZE (FOOT)	REQUIRED NUMBER OF TURNS	CALCULATED INDUCTANCE (microhenries)	CALCULATED RESISTANCE (ohms)
1	SB RT / THRU	4	6' X 50'	3 - 6 - 3	819	2.4
2	SB LT	7	6' X 50'	3 - 6 - 3	822	2.4
3	WB RT / THRU	2	6' X 50'	3 - 6 - 3	799	1.9
4	WB LT	5	6' X 50'	3 - 6 - 3	801	1.9
5	NB RT / THRU	8	6' X 50'	3 - 6 - 3	816	2.3
6	NB LT	3	6' X 50'	3 - 6 - 3	818	2.3
7	EB RT / THRU	6	6' X 50'	3 - 6 - 3	837	2.7
8	EB LT	1	6' X 50'	3 - 6 - 3	839	2.8



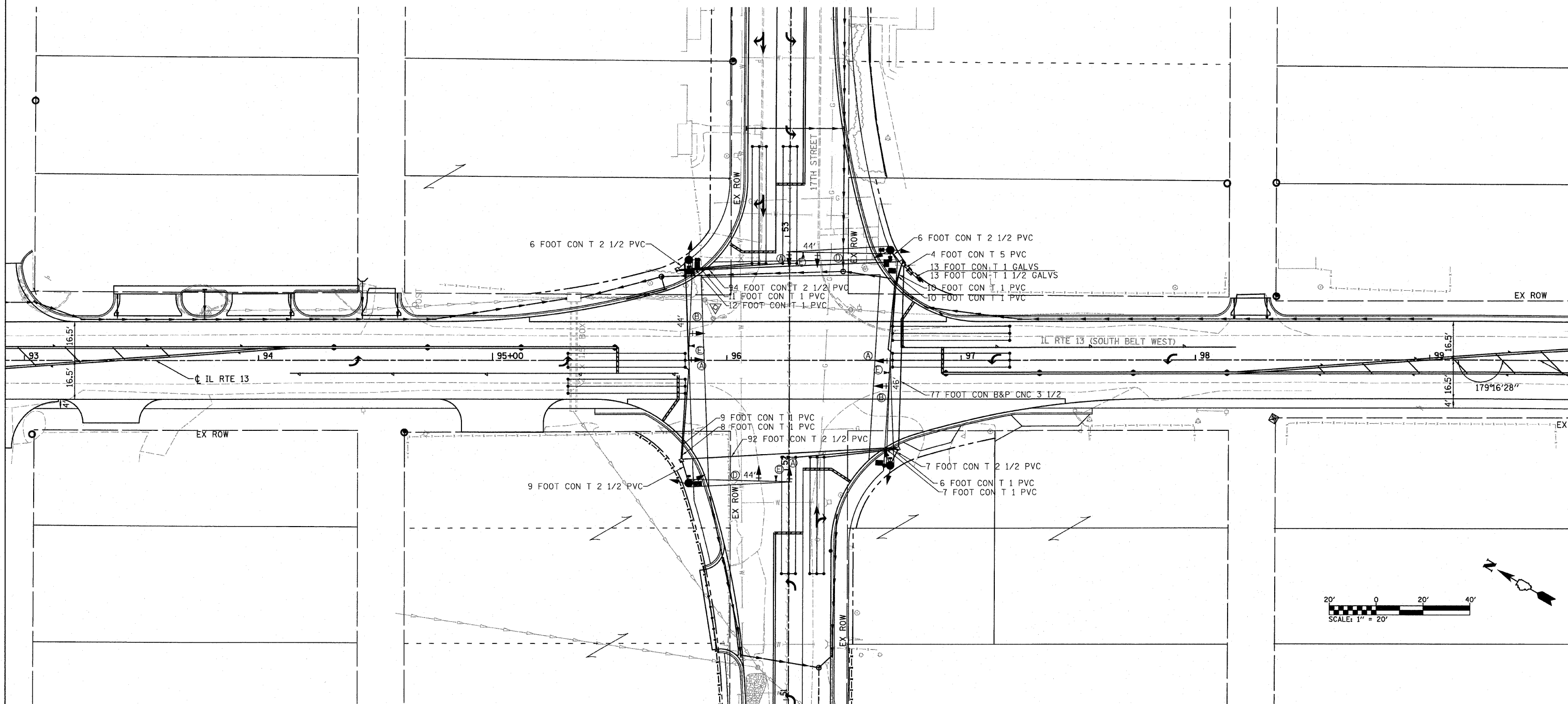
TRAFFIC SIGNAL FACES



PHASE DESIGNATION DIAGRAM

SEQUENCE OF OPERATIONS

FULL-ACTUATED CONTROLLER AND TYPE IV CABINET								
PHASE $\phi$	1	2	3	4	5	6	7	8
MOVEMENT	EB LT	WB	NB LT	SB	WB LT	EB	SB LT	NB
CONCURRENT MOVEMENT PERMITTED	5 OR 6	5 OR 6	7 OR 8	7 OR 8	1 OR 2	1 OR 2	3 OR 4	3 OR 4



TRAFFIC SIGNAL PLAN