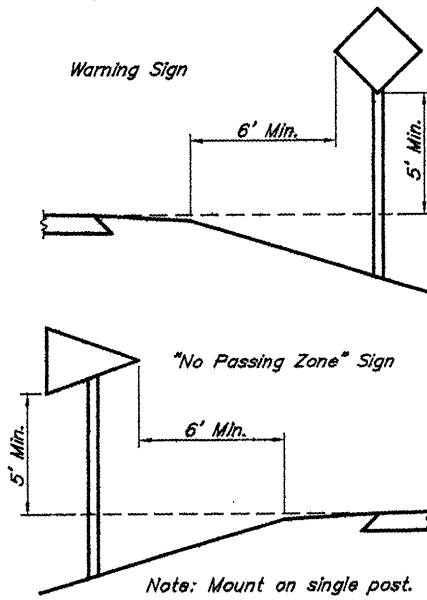


ROUTE	SECTION	COUNTY	TOTAL SHEETS	SHEET NO.
FAS 898	05-00139-00-RS	SALINE	15	15
PROJECT NO. ARA-RS-898 (107)		CONTRACT NO. 99398		

SCHEDULE OF SIGNS				
Location	Name	Signs		Post Length
		No.	Sq. Ft.	
Sta. 51+72 Rt.	CURVE	W1-2R	6.25	16.5
Sta. 67+23 Lt.	CURVE	W1-2L	6.25	16.5
Various (15)*	NO PASSING	W14-3	83.25	240.0
TOTALS			95.75	273.0



* See Schedule of "No Passing Zones" for sign locations. Each location shall have one sign of 5.55 Sq. Ft. and one post with a length of 16.0 Ft. Quantities shown are totals.

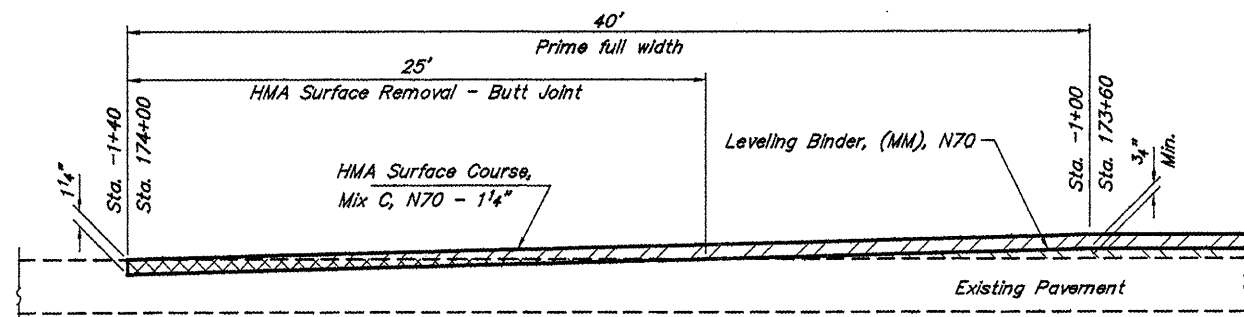
SIGN SCHEDULE & MOUNTING DETAIL

SCHEDULE OF PAVEMENT MARKING LINE 4" (LIN. FT.)			
Location	Centerline (Yellow Dashed)	Edge Line (White Solid)	No Passing (Yellow Solid)
Sta. -1+40 to Sta. 174+00	4,970	45,747	16,533

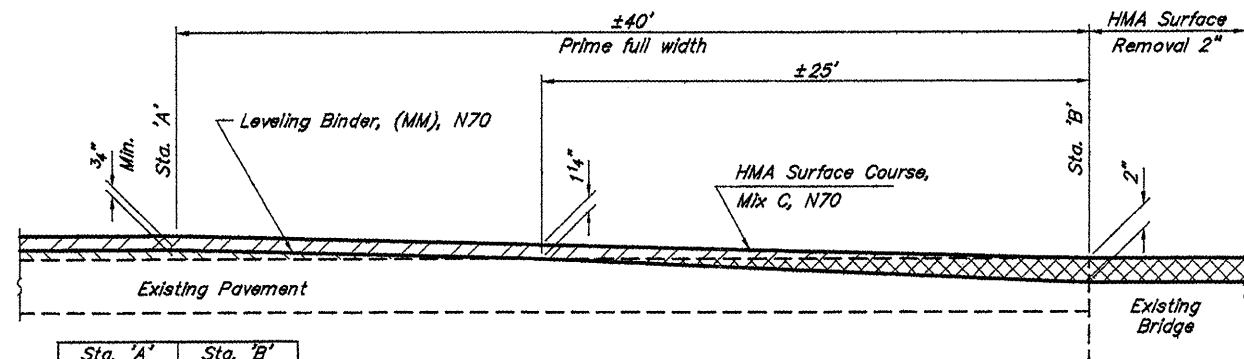
See schedule for limits of "No Passing Zones".
See Standard 78001 for typical pavement markings.

SCHEDULE OF "NO PASSING ZONES"			
NORTH BOUND LANE		SOUTH BOUND LANE	
Location	Length	Location	Length
Sta. -1+40 to Sta. 1+10	250'	Sta. -1+40 to Sta. 5+10 ¹	650'
Sta. 29+25 ¹ to Sta. 61+00	3,175'	Sta. 38+25 to Sta. 70+00 ¹	3,175'
Sta. 75+00 ¹ to Sta. 90+00	1,500'	Sta. 84+00 to Sta. 98+50 ¹	1,450'
Sta. 101+00 ¹ to Sta. 103+50	250'	Sta. 110+00 to Sta. 112+50 ¹	250'
Sta. 121+00 ¹ to Sta. 126+75	575'	Sta. 130+00 to Sta. 135+75 ¹	575'
Sta. 139+00 ¹ to Sta. 148+00	900'	Sta. 148+25 to Sta. 247+25 ¹	883'
Sta. 241+00 ¹ to Sta. 231+25	975'	Sta. 232+75 to Sta. 222+25 ¹	1,050'
Sta. 202+00 ¹ to Sta. 197+50	450'	Sta. 193+00 to Sta. 188+75 ¹	425'
TOTALS		8,075'	

¹ Denotes location of "No Passing Zone" signs to be erected in accordance with Sign Schedule & Mounting Detail.

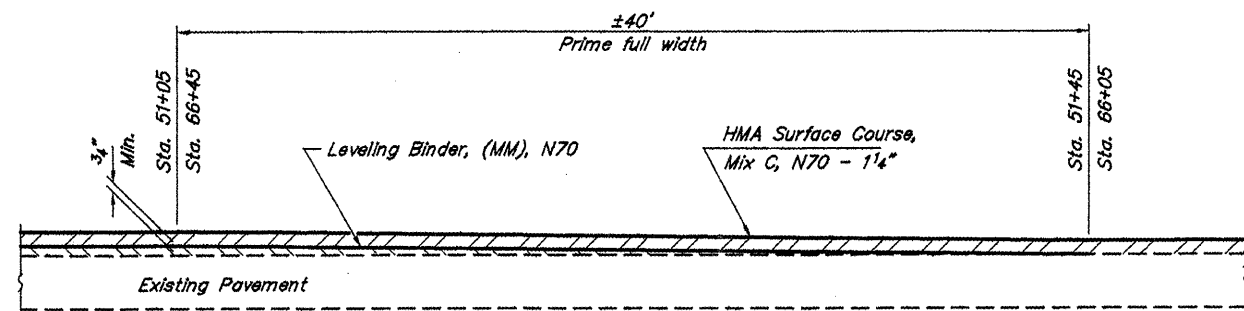


BEGINNING & ENDING BUTT JOINT



Sta. 'A'	Sta. 'B'
0+92	1+32
2+16	1+76
41+06	41+46
43+94	43+54
241+26	241+66
243+22	242+82

BRIDGE PAVING DETAIL



THICKNESS TRANSITION DETAIL