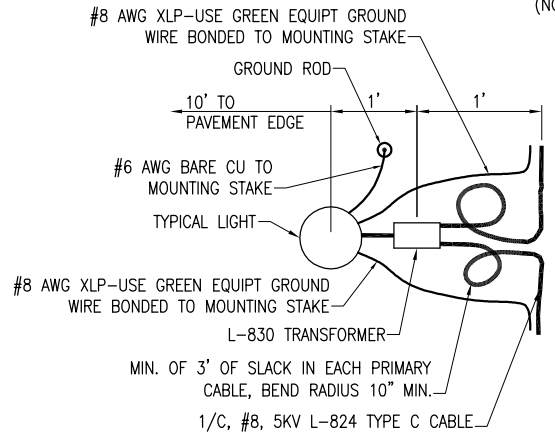
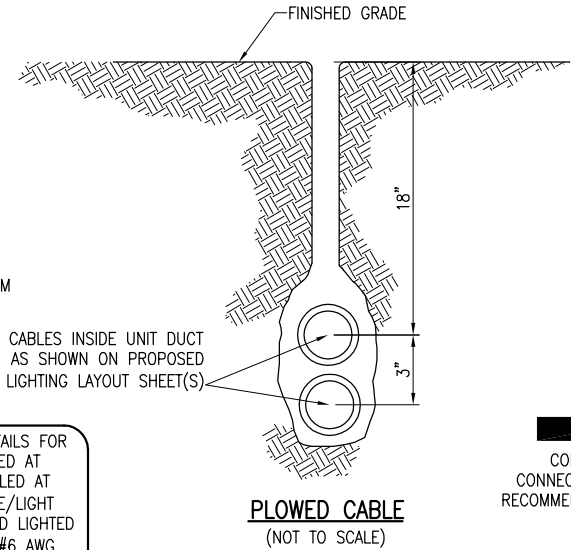


NOTES:
 DETAIL NUMBERS INDICATE NO. OF CABLES.
 TRENCHES WITH MORE THAN SEVEN CABLES SHALL BE INCREASED 3" IN WIDTH FOR EACH ADDITIONAL CABLE; IF SPECIFIED ON PLANS TWO PARALLEL TRENCHES MAY BE CONSTRUCTED.
 DEPTH OF TRENCHES SHALL BE AS SHOWN ABOVE UNLESS OTHERWISE SPECIFIED ON THE PLANS.
 ALL DISTURBED SURFACES SHALL BE RESTORED TO THEIR ORIGINAL CONDITION. COST IS INCIDENTAL TO TRENCH.

CABLE TRENCHES
(NOT TO SCALE)



PLAN VIEW

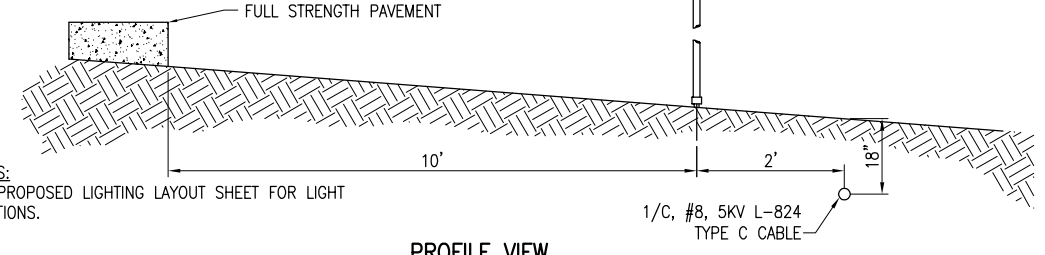


PLOWED CABLE
(NOT TO SCALE)

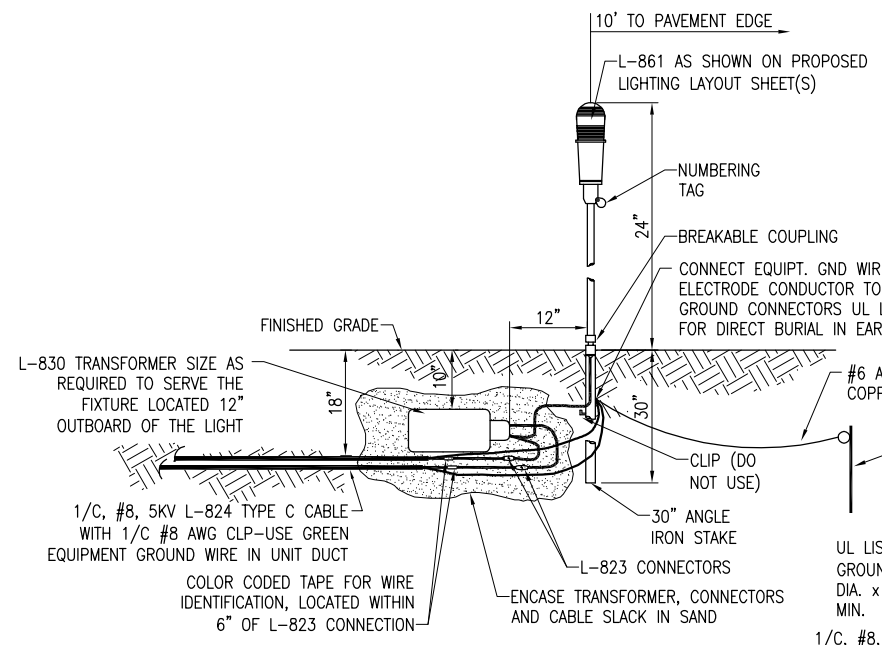
PER FAA AC 150/5340-30D DESIGN AND INSTALLATION DETAILS FOR AIRPORT VISUAL AIDS, A SAFETY GROUND MUST BE INSTALLED AT EACH LIGHT FIXTURE. A SAFETY GROUND SHALL BE INSTALLED AT EACH STAKE MOUNTED LIGHT AND EACH TRANSFORMER BASE/LIGHT CAN ASSOCIATED WITH RUNWAY LIGHTS, TAXIWAY LIGHTS, AND LIGHTED TAXI GUIDANCE SIGNS. THE SAFETY GROUND SHALL BE A #6 AWG BARE COPPER CONDUCTOR CONNECTED TO THE GROUND LUG ON THE RESPECTIVE L-867 TRANSFORMER BASE/LIGHT CAN OR MOUNTING STAKE AND A UL LISTED COPPER CLAD GROUND ROD. THE GROUND RODS FOR STAKE MOUNTED LIGHTS SHALL BE 3/4 INCH DIAMETER BY 10-FOOT LONG. THE GROUND RODS FOR BASE MOUNTED LIGHTS SHALL BE 3/4 INCH DIAMETER BY 50-FOOT LONG (5-10 FT. GROUND RODS COUPLED TOGETHER). ALL MOUNTING STAKES AND BASE CANS ASSOCIATED WITH THE TAXIWAY LIGHTING SYSTEM SHALL BE BONDED TOGETHER WITH A #8 AWG EQUIPMENT GROUND WIRE RUN WITH THE 5000 VOLT SERIES CIRCUIT CONDUCTOR.

NOTES:
 SEE PROPOSED LIGHTING LAYOUT SHEET FOR LIGHT LOCATIONS.

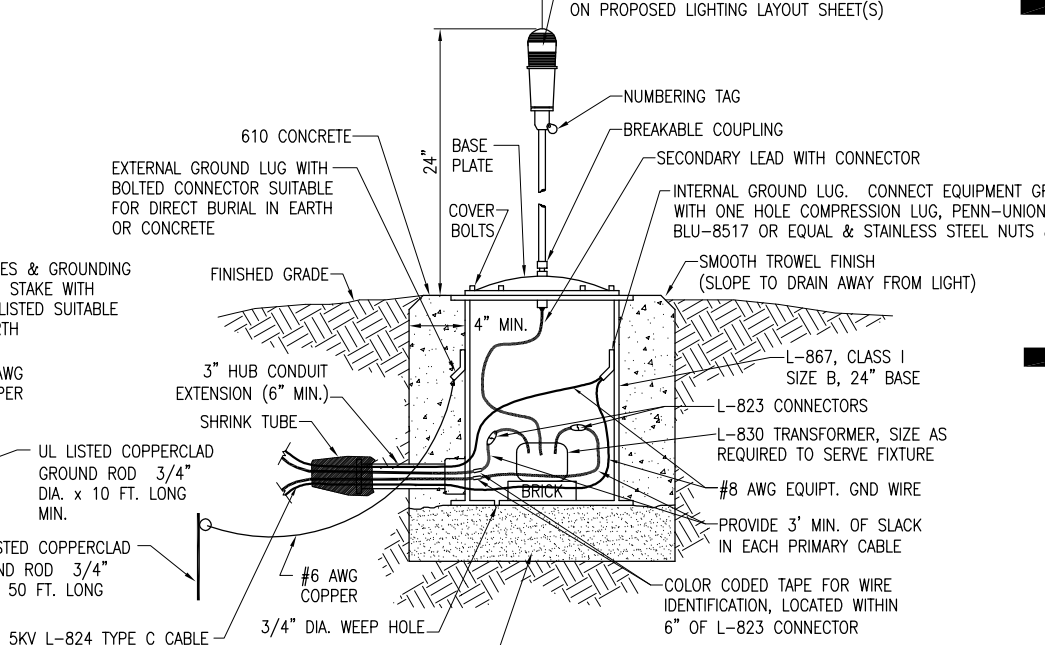
LIGHT AND CABLE INSTALLATION DETAIL
(NOT TO SCALE)



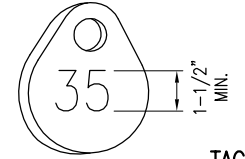
PROFILE VIEW



MEDIUM INTENSITY LIGHT - STAKE MOUNTED
(NOT TO SCALE)

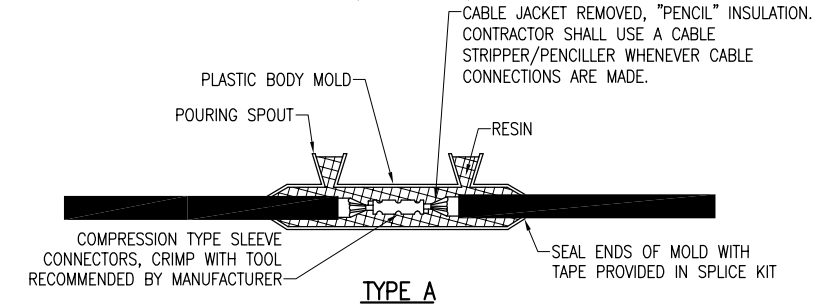


MEDIUM/HIGH INTENSITY LIGHT - BASE MOUNTED
(NOT TO SCALE)



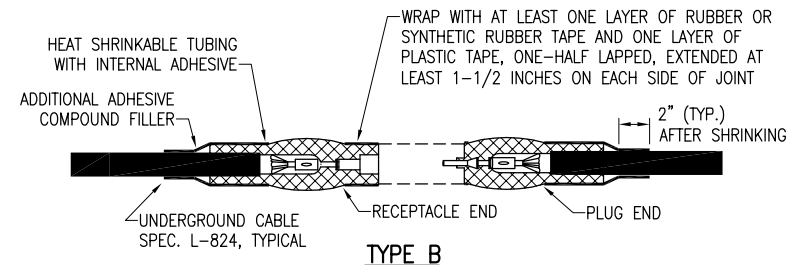
TAG DETAIL
(NOT TO SCALE)

NOTE:
 AFFIX NON-CORROSIVE TAG TO FIXTURE FACING RUNWAY WITH SET SCREW, WIRE TIE, OR METAL BAND. NUMERALS SHALL BE ENGRAVED FOR PERMANENT READABILITY.



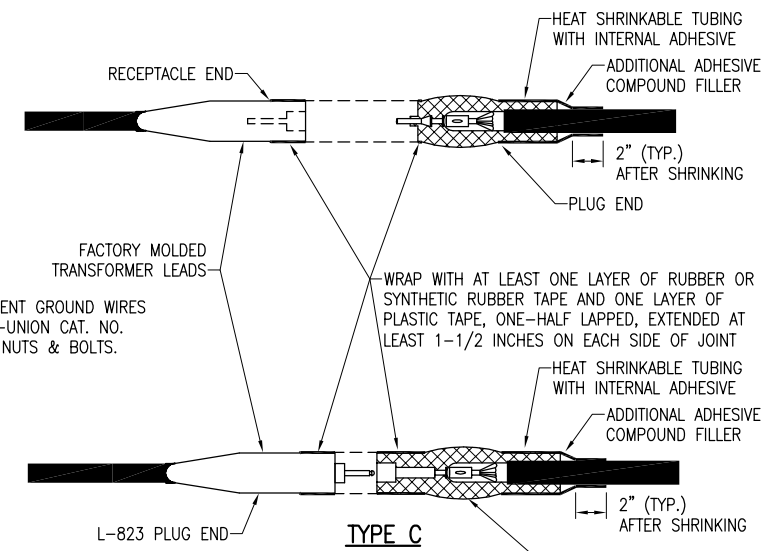
TYPE A

FOR SPLICES IN LOW VOLTAGE (600V) CABLE HOMERUNS FOR EXTENSIONS TO EXISTING CABLES ONLY. TYPE A SPLICES SHALL BE MADE IN SPLICE CANS, HANDHOLES, MANHOLES, OR JUNCTION BOXES.



TYPE B

FOR SPLICES AT JUNCTION OF HOMERUN WITH LOOP CIRCUIT



TYPE C

FOR SPLICES AT RUNWAY LIGHTS

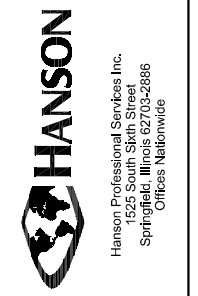
NOTES:
 SEE PROPOSED LIGHTING LAYOUT SHEET(S) FOR SPLICE TYPE.
 INSIDE DIAMETER OF CONNECTOR SHALL PROPERLY MATCH THE OUTSIDE DIAMETER OF CABLE.

CABLE SPLICES
(NOT TO SCALE)

BY	
REVISION	
DATE	

TRI-TOWNSHIP AIRPORT
 SAVANNA, CARROLL COUNTY
 ILLINOIS

Hanson Project No. 09A0033D_0800	CAH	03/24/09
Filename R-542ELE.DWG	BAK	03/24/09
Scale NOT TO SCALE	CAH	03/24/09
Date 08/14/09	REVIEWED	



REPLACE MITL SYS.,
 INSTALL APRON LTS
 PROPOSED
 ELECTRICAL DETAILS
 SHEET 2