

STANDARD BAR SPLICER ASSEMBLY

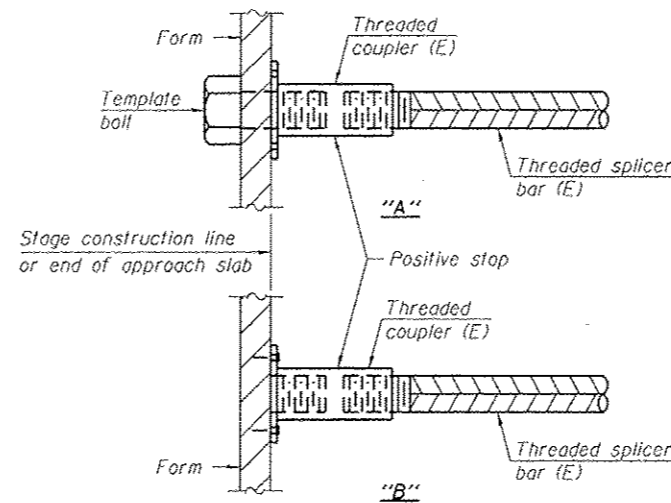
Bar size to be spliced	Minimum Lap Lengths					
	Table 1	Table 2	Table 3	Table 4	Table 5	Table 6
3, 4	1'-5"	1'-11"	2'-1"	2'-4"	2'-7"	2'-11"
5	1'-9"	2'-5"	2'-7"	2'-11"	3'-3"	3'-8"
6	2'-1"	2'-11"	3'-1"	3'-6"	3'-10"	4'-5"
7	2'-9"	3'-10"	4'-2"	4'-8"	5'-2"	5'-10"
8	3'-8"	5'-1"	5'-5"	6'-2"	6'-9"	7'-8"
9	4'-7"	6'-5"	6'-10"	7'-9"	8'-7"	9'-8"

- Table 1: Black bar, 0.8 Class C
- Table 2: Black bar, Top bar lap, 0.8 Class C
- Table 3: Epoxy bar, 0.8 Class C
- Table 4: Epoxy bar, Top bar lap, 0.8 Class C
- Table 5: Epoxy bar, Class C
- Table 6: Epoxy bar, Top bar top, Class C

Threaded splicer bar length = min. lap length + 1 1/2" + thread length

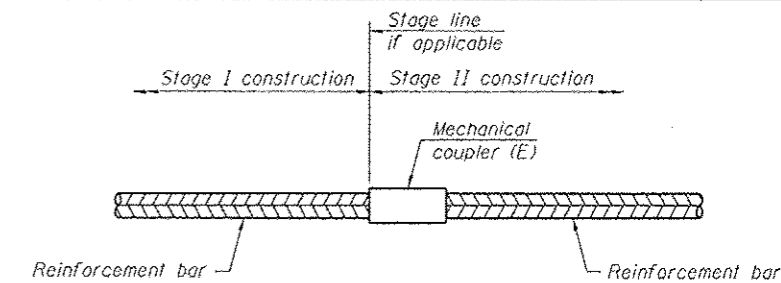
* Epoxy not required on Bar Splicer Assembly components used in conjunction with black bars.

Location	Bar size	No. assemblies required	Table for minimum lap length
026-0083	#4	50	TABLE 3
026-0083	#5	108	TABLE 3
026-0083	#6	28	TABLE 3
026-0084	#4	50	TABLE 3
026-0084	#5	108	TABLE 3
026-0084	#6	28	TABLE 3



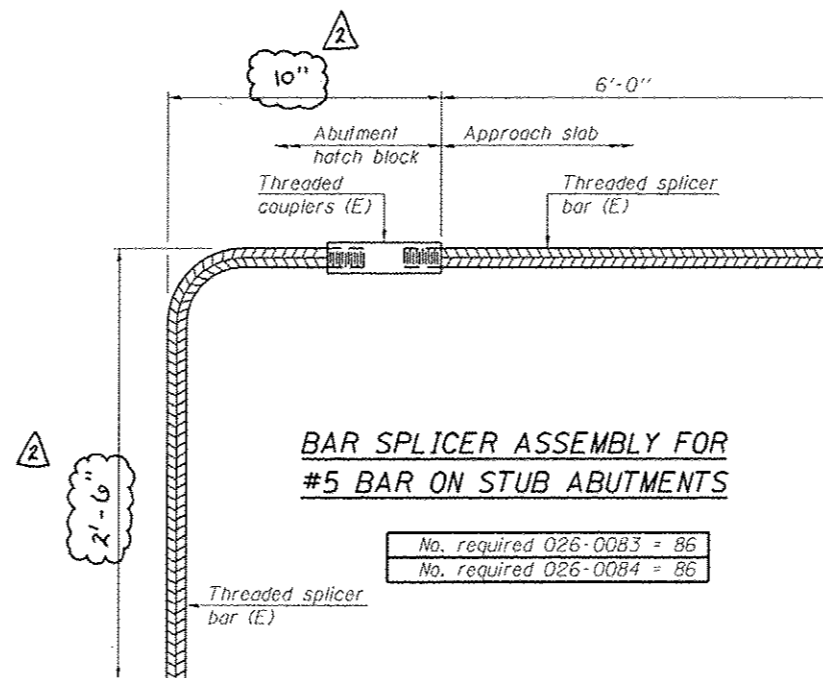
INSTALLATION AND SETTING METHODS

- "A" : Set bar splicer assembly by means of a template bolt.
- "B" : Set bar splicer assembly by nailing to wood forms or cementing to steel forms.
- (E) : Indicates epoxy coating.



STANDARD MECHANICAL SPLICER

Location	Bar size	No. assemblies required



BAR SPLICER ASSEMBLY FOR #5 BAR ON STUB ABUTMENTS

NOTES

- Splicer bars shall be deformed with threaded ends and have a minimum 60 ksi yield strength.
- All reinforcement shall be lapped and tied to the splicer bars.
- Bar splicer assemblies shall be epoxy coated according to the requirements for reinforcement bars. See Section 508 of the Standard Specifications.
- See approved list of bar splicer assemblies and mechanical splicers for alternatives.

REVISED 10-22-15

BSD-1

8-31-12