

PLANS
FOR
SIDNEY BRIDGE
REINFORCED CONCRETE BRIDGE, THROUGH GIRDER
THREE FIFTY-FIVE FOOT SPANS 16 FOOT ROADWAY 6 FEET HIGH
IN
SIDNEY TOWNSHIP
CHAMPAIGN COUNTY
ILLINOIS

SUPERVISORS CHAMPAIGN COUNTY
ROAD AND BRIDGE COMMITTEE

D. J. HOLDERMAN
C. W. WITT
J. J. HAYWARD

COMMISSIONERS OF SIDNEY TOWNSHIP

WILLIAM BAYLIFF
JOHN O. WOODARD
WILLIAM SCHINDLER

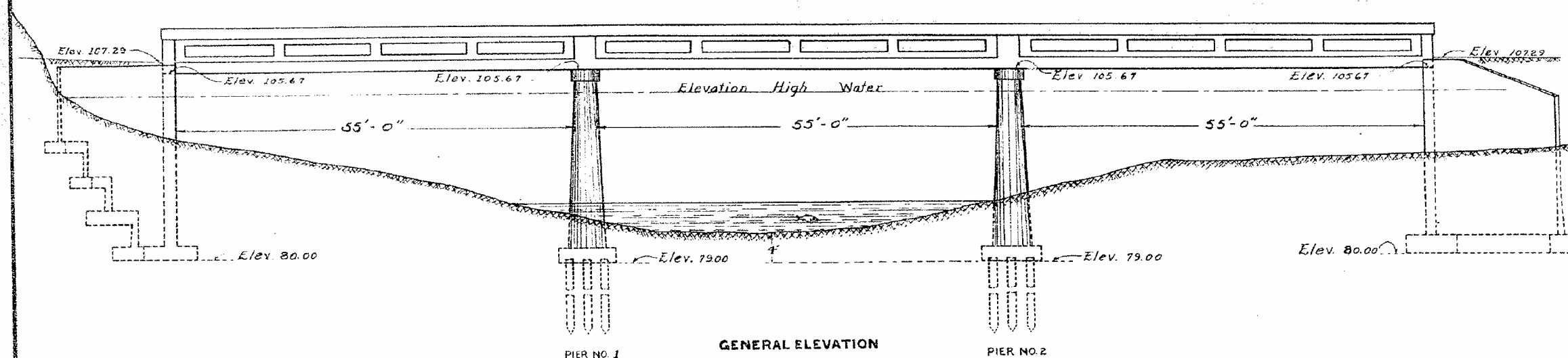
MARCH 1914

SN-010-0090

J. Fairclough
COUNTY SUPERINTENDENT OF HIGHWAYS

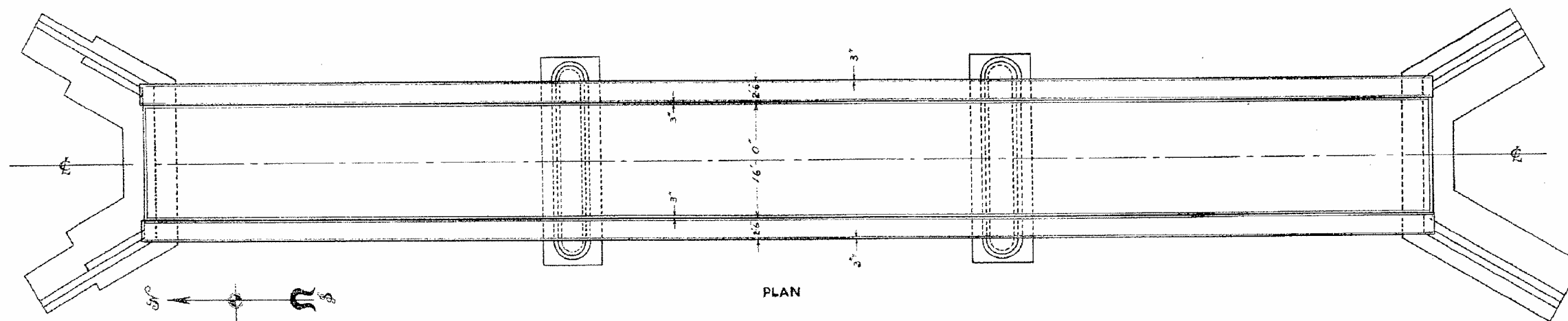
COUNTY HIGHWAY COMMISSION
REINFORCED CONCRETE BRIDGE
 THREE FIFTY-FIVE FOOT SPANS SIXTEEN FOOT ROADWAY

SHEET NO. 1
 5 SHEETS



NOTE

B.M. Spike in pignut tree southeast of the South Abutment.
 Assumed elevation 100.00



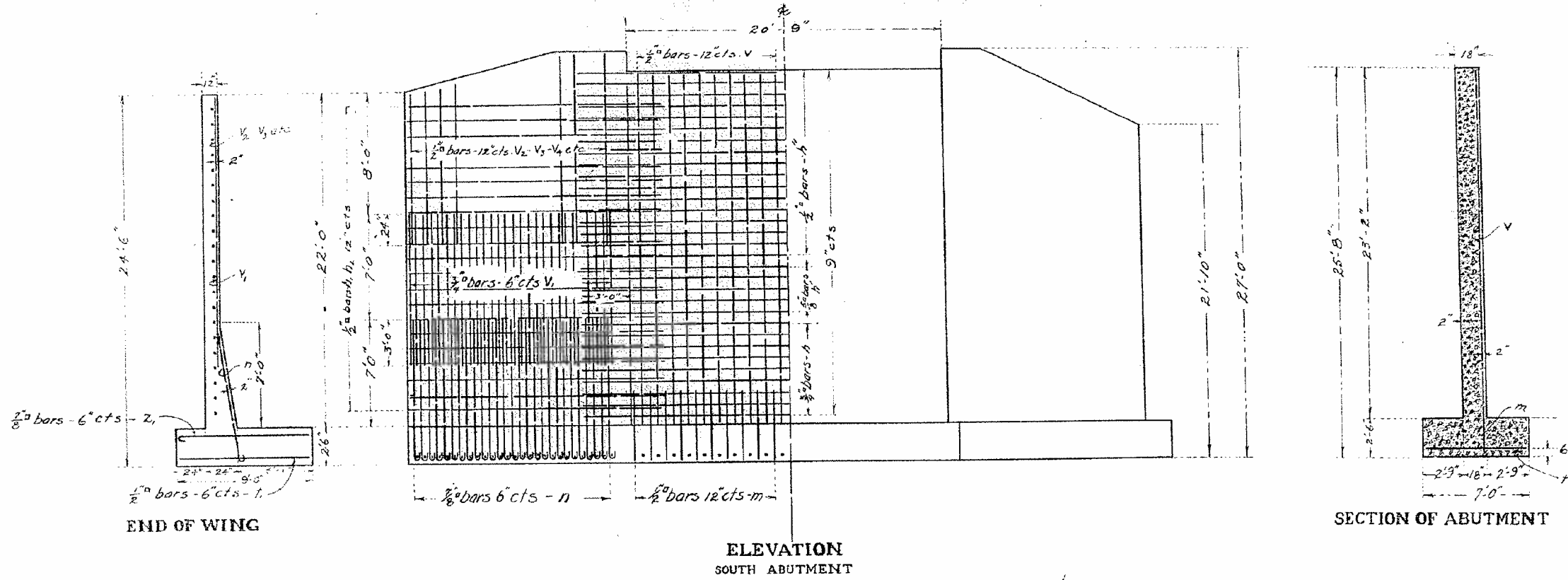
TOTAL BILL OF MATERIAL

Reinforcing Steel in Abutments	Lbs.	12959.3
" " " Piers	"	1036.
" " " Superstructure	"	67798.9
Total " " " Bridge	"	81794.2
6 Cast Iron Rockers	"	3100.
12 Steel Plates 1"x10"x26"	"	883.
Concrete in Abutments - Class A - Cu Yds.	"	189.9
" " " Piers - " B - " "	"	211.7
" " " Superstructure - " A - " "	"	268.3
Total " " Bridge	"	669.9

Completed Nov. 6, 1914
 MARSH EYER CO. CONTRACTORS, DES MOINES, IOWA.

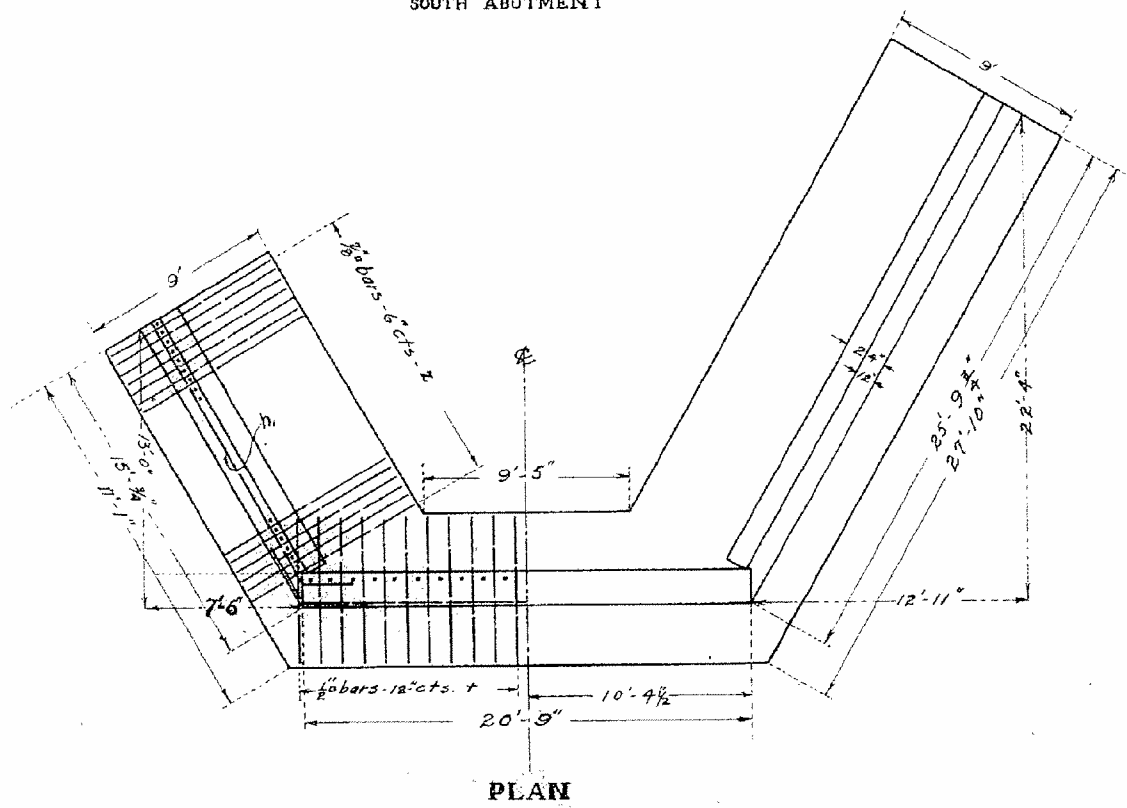
J. C. Fairclough
 COUNTY SUPERINTENDENT OF HIGHWAYS

COUNTY SUPERINTENDENT OF HIGHWAYS
SIDNEY BRIDGE
 SIDNEY TOWNSHIP, CHAMPAIGN COUNTY



BILL OF MATERIAL

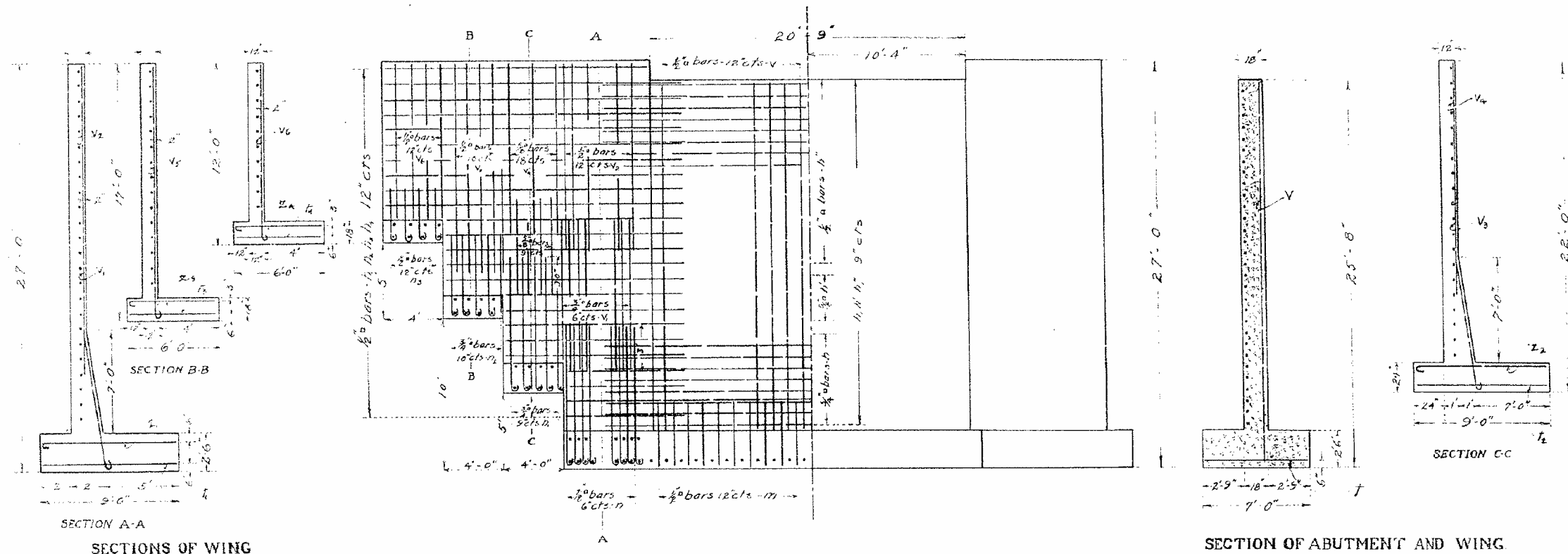
Letter	No.	Size	Length
V	21	1/2"	23'-0"
V ₁	27	3/8"	10'-0"
V ₂	8	1/2"	12'-3"
V ₃	10	1/2"	11'-6"
V ₄	10	1/2"	10'-5"
V ₅	5	1/2"	9'-0"
V ₆	5	1/2"	7'-9"
h	9	3/8"	26'-8"
h'	5	3/8"	26'-8"
h''	17	1/2"	26'-8"
h ₁	23	1/2"	16'-0"
h ₂	23	1/2"	26'-6"
m	21	1/2"	4'-0"
n	77	3/8"	9'-6"
r	21	1/2"	6'-6"
t	27	1/2"	8'-6"
z	12	1/2"	9'-0"
Steel - Lbs.			8529
Concrete - Cu. Yds.			131.4



J. B. Fairbro
 COUNTY SUPERINTENDENT OF HIGHWAYS

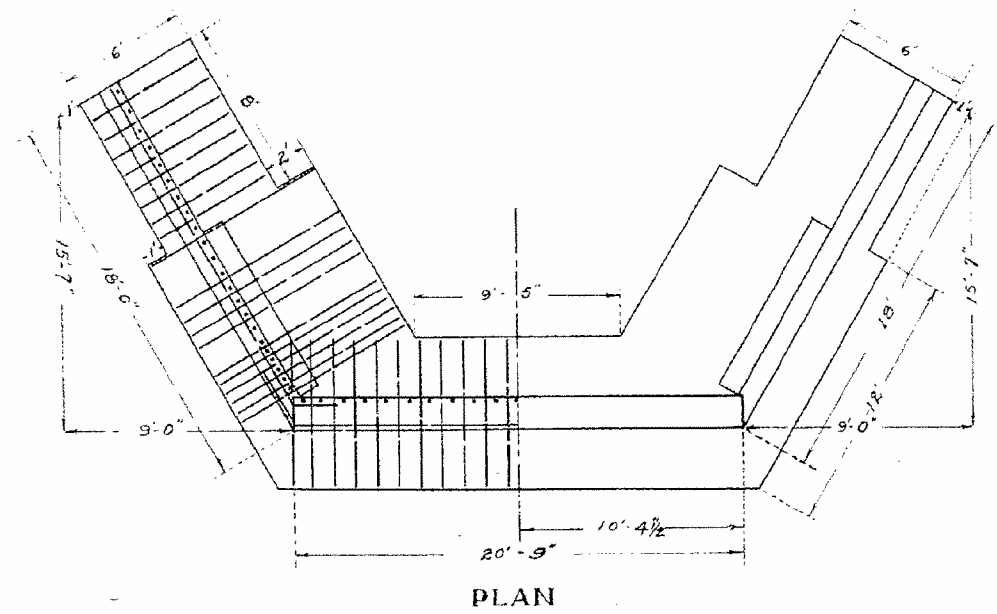
COUNTY SUPERINTENDENT OF HIGHWAYS
SIDNEY BRIDGE
 SIDNEY TOWNSHIP, CHAMPAIGN COUNTY

SHEET NO. 3



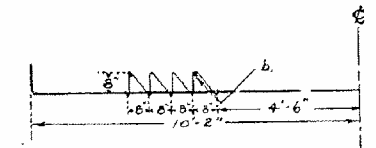
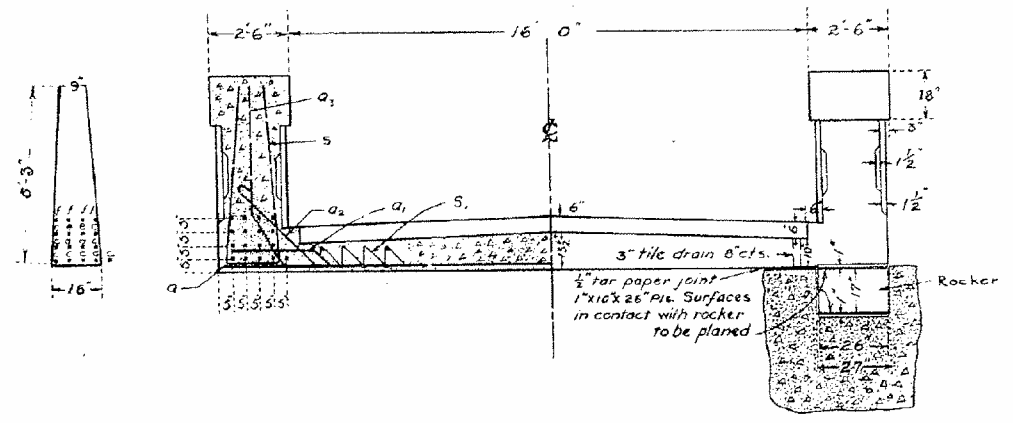
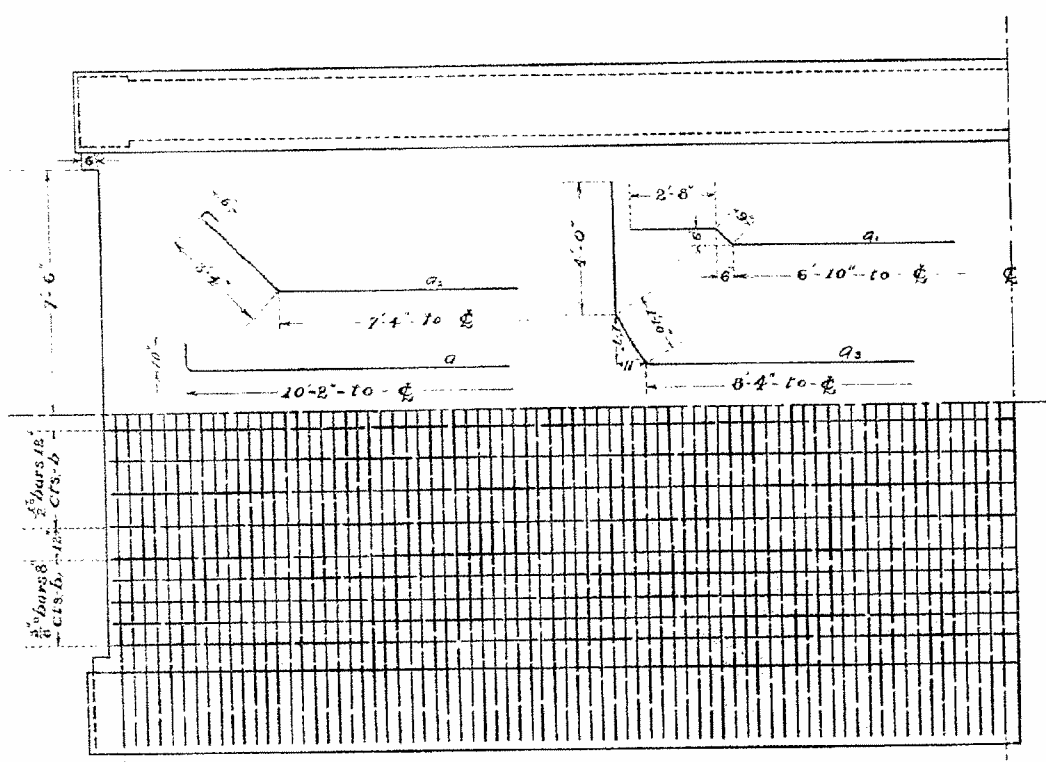
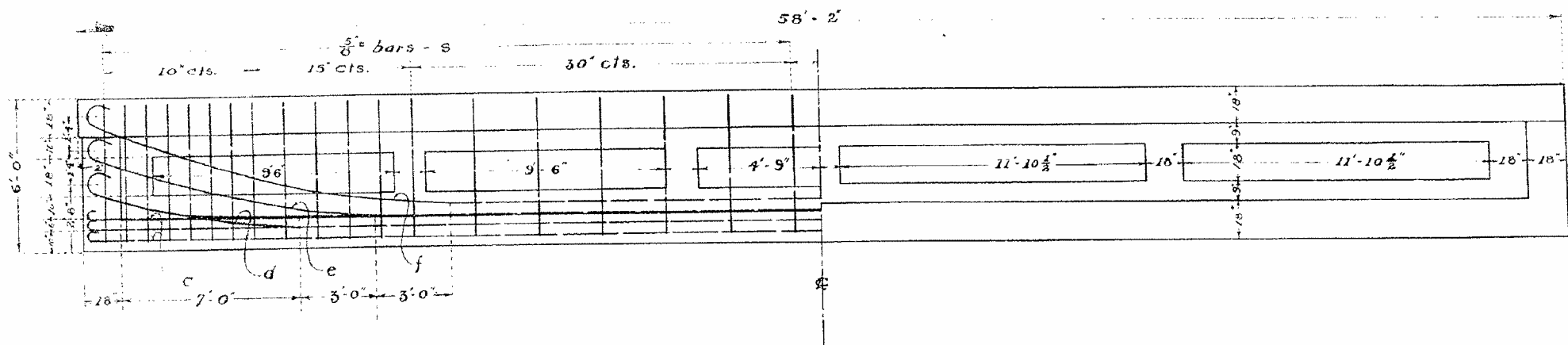
BILL OF MATERIAL

Letter	No	Size	Length
V	21	1/2" □	23'-0"
V ₁	20	3/8" □	10'-0"
V ₂	10	1/2" □	12'-3"
V ₃	8	3/8" □	6'-6"
V ₄	6	3/8" □	11'-3"
V ₅	8	1/2" □	13'-9"
V ₆	8	1/2" □	10'-3"
h	9	3/4" □	26'-8"
h'	5	3/4" □	26'-8"
h''	19	1/2" □	20'-8"
h ₁	8	1/2" □	6'-9"
h ₂	10	1/2" □	10'-9"
h ₃	10	1/2" □	14'-9"
h ₄	20	1/2" □	18'-9"
m	21	3/4" □	4'-0"
n	20	3/4" □	9'-6"
n ₁	10	3/4" □	9'-0"
n ₂	10	3/4" □	5'-6"
n ₃	8	1/2" □	3'-6"
t	21	1/2" □	6'-6"
t ₁	30	1/2" □	8'-6"
t ₂	10	1/2" □	5'-6"
z ₁	20	1/2" □	9'-0"
z ₂	10	1/2" □	9'-0"
z ₃	10	1/2" □	6'-0"
z ₄	8	1/2" □	6'-0"
Steel	- Lbs		4430
Concrete	- Cu.Yds		78.5



J. C. Fairclough
 COUNTY SUPERINTENDENT OF HIGHWAYS

COUNTY HIGHWAY COMMISSION
REINFORCED CONCRETE SUPERSTRUCTURE
 FIFTY-FIVE FOOT SPAN SIXTEEN FOOT ROADWAY

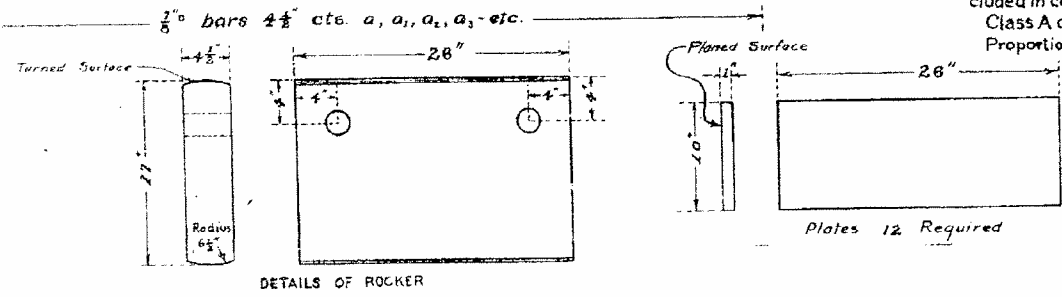


Stirrup bars *b*. Place on each alternate floor bar *a*, *a*₂ etc

NOTE
 All exposed edges of girders and rails to be beveled with 3/4 inch triangular molding and all edges of panels to be beveled 45 degrees.
 Macadam wearing surface not to be included in contract
 Class A concrete to be used throughout.
 Proportions 1-2 1/2-4

BILL OF MATERIAL

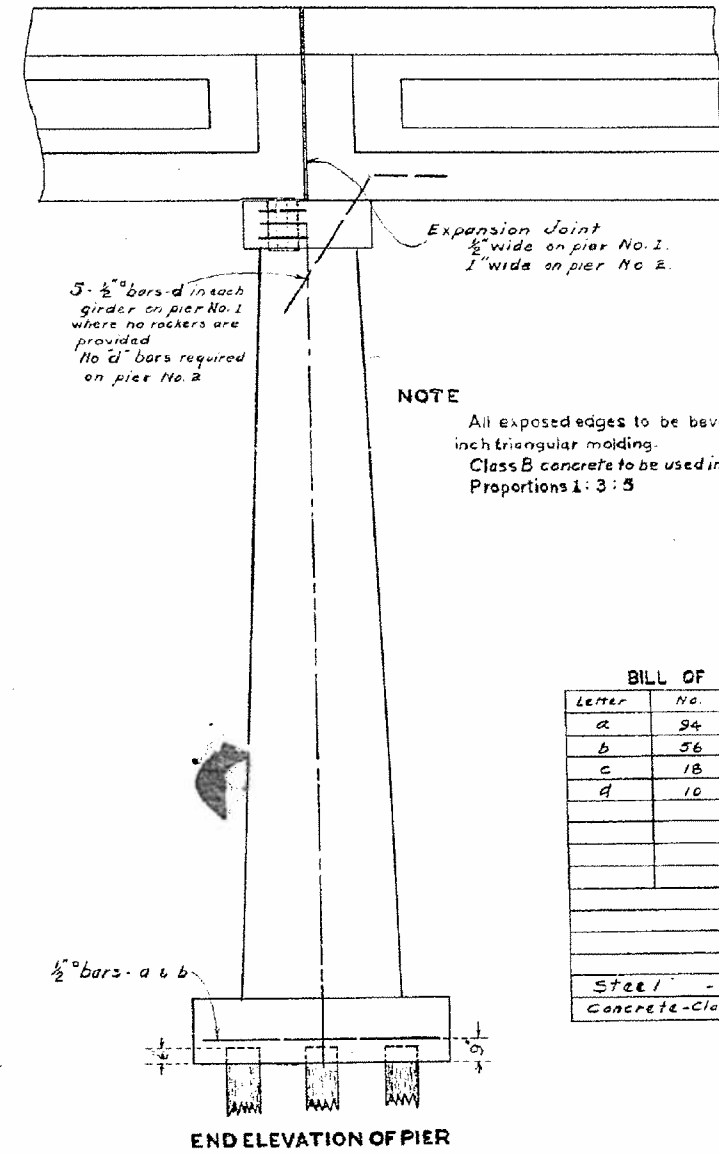
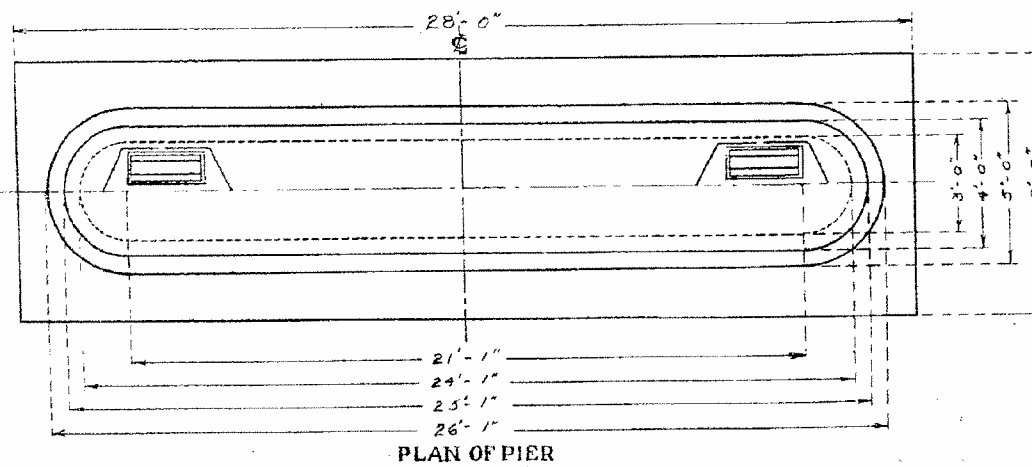
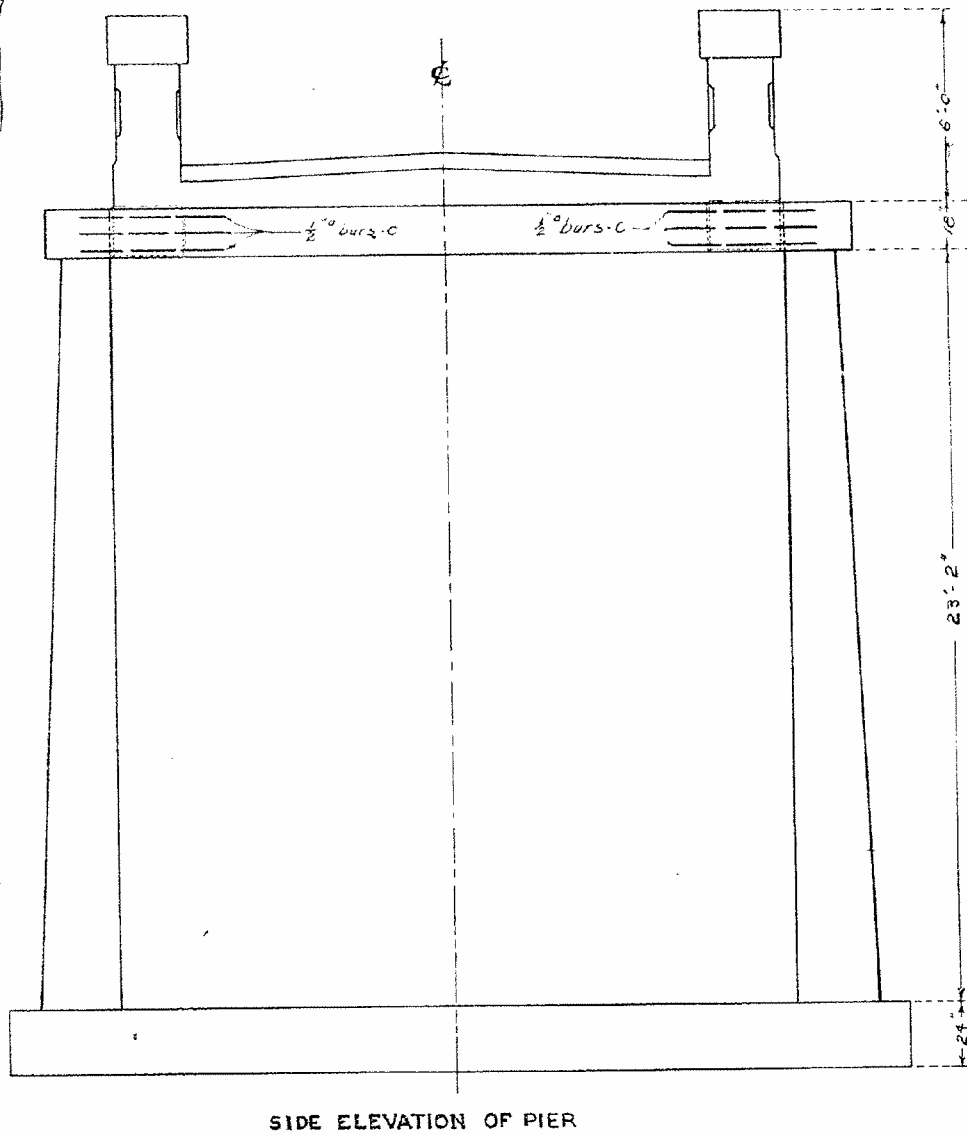
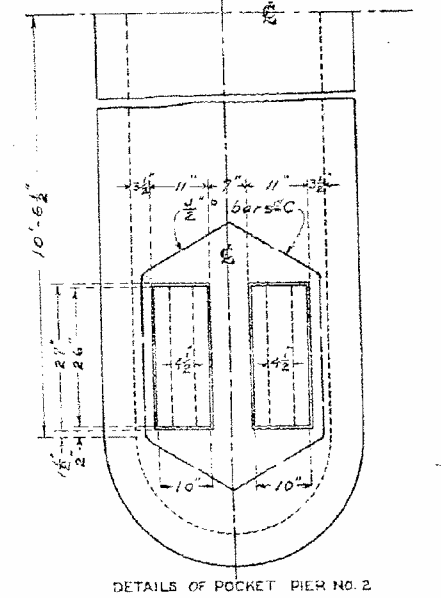
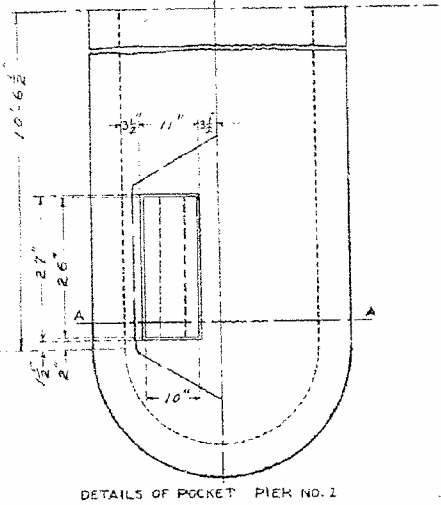
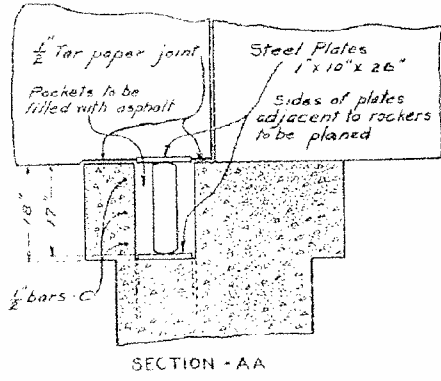
LETTER	NO	SIZE	LENGTH
a	117	3/8" ø	22'-0"
a ₁	117	3/8" ø	20'-6"
a ₂	117	3/8" ø	28'-0"
a ₃	117	3/8" ø	28'-6"
b	48	3/8" ø	30'-0"
b ₁	84	3/8" ø	30'-0"
S	114	3/8" ø	12'-0"
S ₁	468	3/8" ø	8'-0"
c	54	1 1/2" ø	60'-6"
d	12	1 1/2" ø	61'-6"
e-f	36	1 1/2" ø	62'-0"
WT. of 6 Rockers			3100.
WT. of 12 plates 1"x10"x26"			883.
STEEL -			LBS - 67798.9
CONCRETE - Cu.Yds -			268.3



DETAILS OF ROCKER

J. B. Fairclough
 COUNTY SUPERINTENDENT OF HIGHWAYS

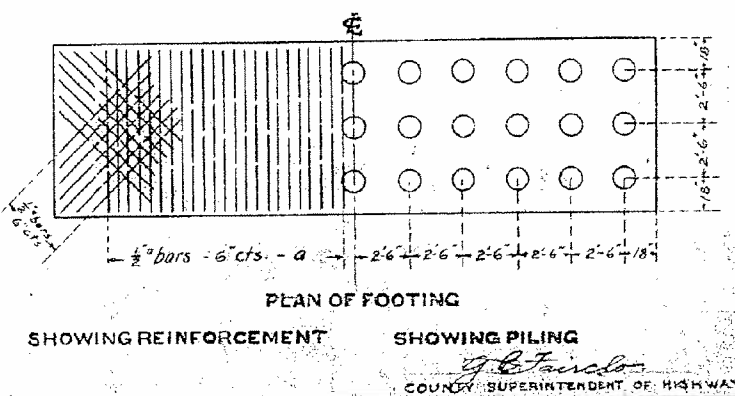
COUNTY SUPERINTENDENT OF HIGHWAYS
SIDNEY BRIDGE
 SIDNEY TOWNSHIP, CHAMPAIGN COUNTY



NOTE
 All exposed edges to be beveled with 3/4 inch triangular molding.
 Class B concrete to be used in piers.
 Proportions 1 : 3 : 5

BILL OF MATERIAL

Letter	No.	SIZE	Length
a	94	1/2" Ø	7'-6"
b	56	1/2" Ø	6'-0"
c	18	1/2" Ø	6'-0"
d	10	1/2" Ø	9'-0"
Steel		- Lbs	1036
Concrete		- Class B - Cuyds	211.7



SHOWING REINFORCEMENT SHOWING PILING
 J. B. Fairclough
 COUNTY SUPERINTENDENT OF HIGHWAYS