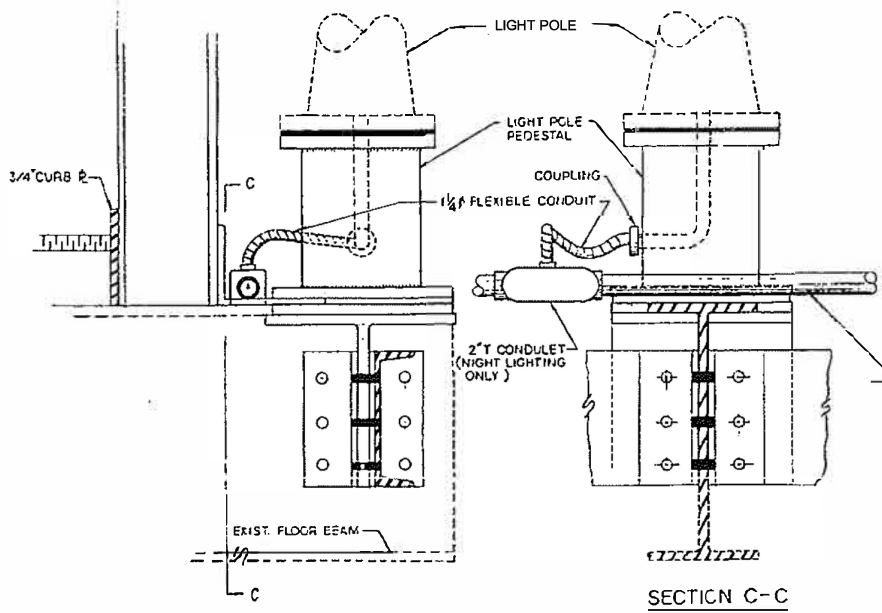
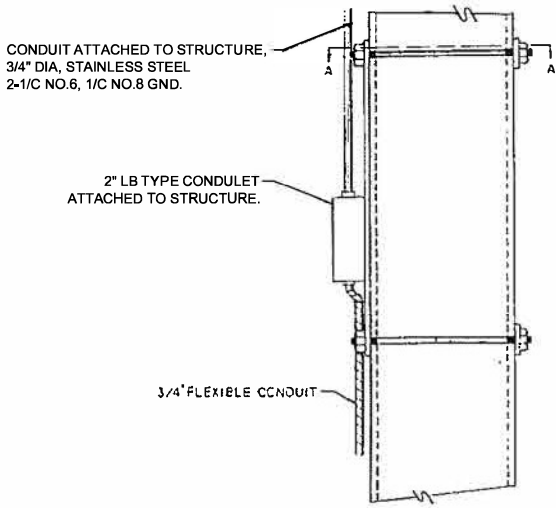


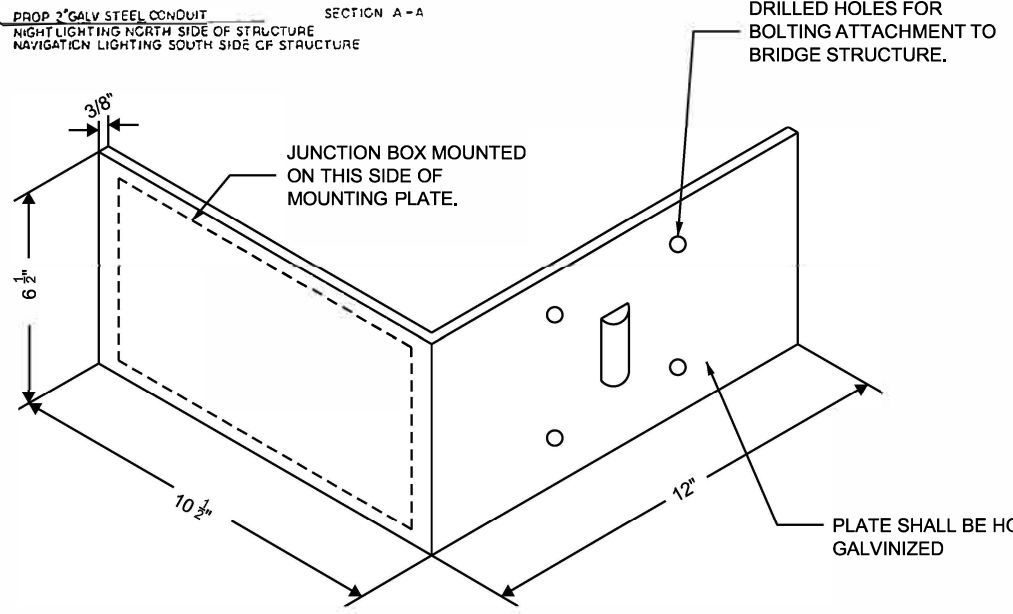
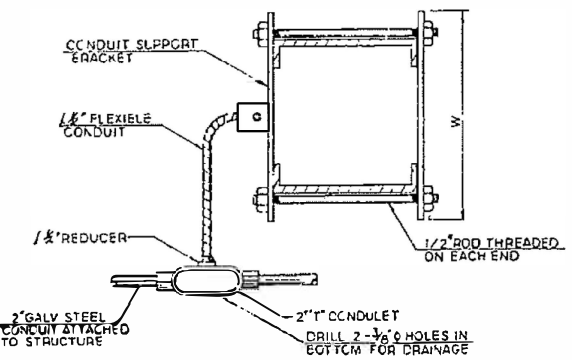
ELEVATION
SHOWING LIGHT POLE LOCATIONS AT
(PIERS 22, 26, 30 & 34)



ELEVATION

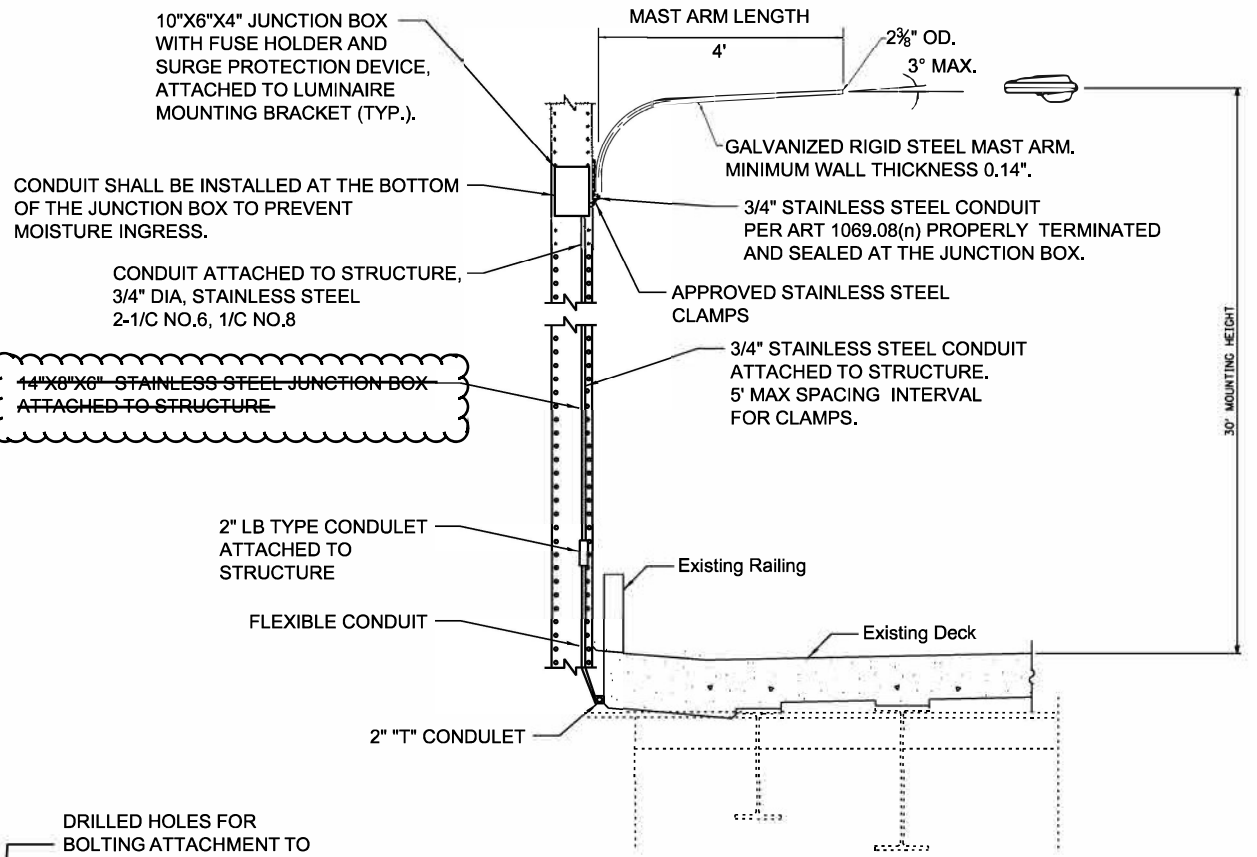


ELEVATION

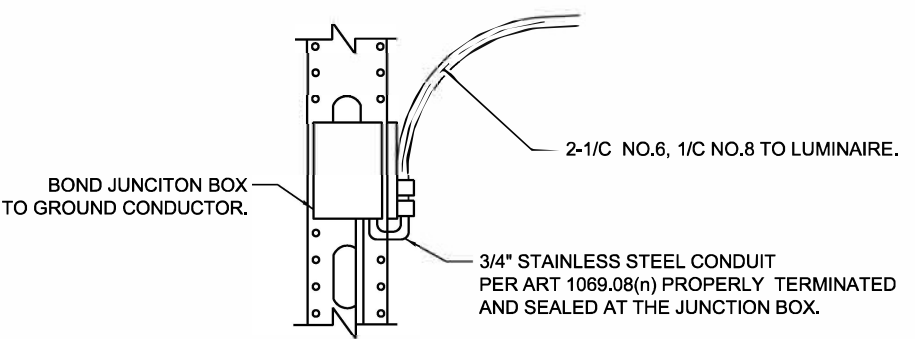


LUMINAIRE MOUNTING BRACKET DETAIL (SIDE VIEW)

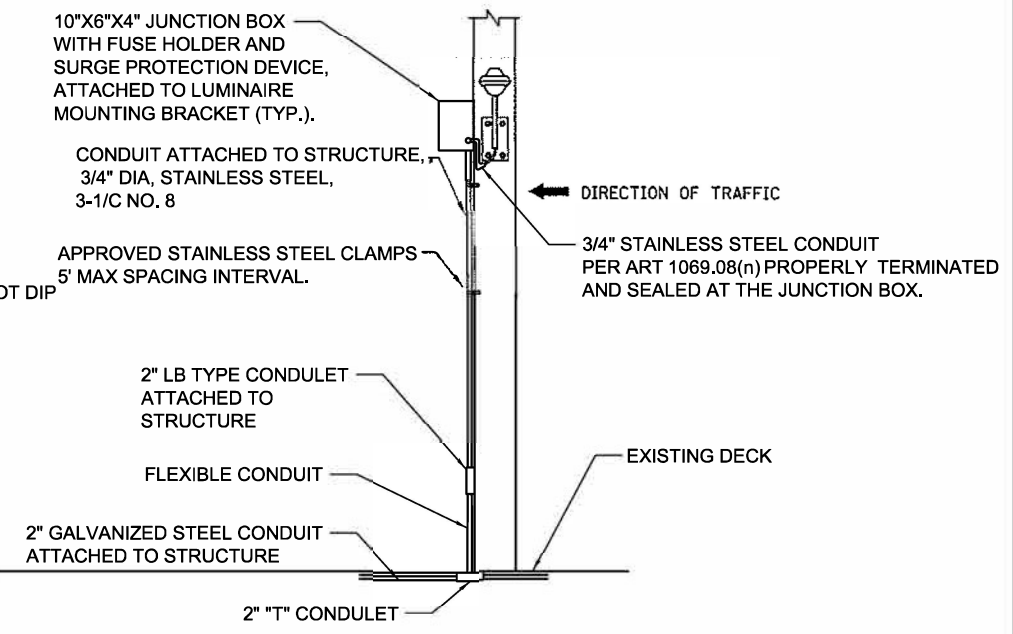
- NOTES:
1. CONTRACTOR SHALL FIELD VERIFY PROPOSED LUMINAIRE MOUNTING BRACKET SIZE AND DIMENSIONS FOR ADEQUATE FITMENT ONTO BRIDGE COLUMNS.



LIGHTING DETAIL - 1



10"X6"X4" JUNCTION BOX DETAIL



LIGHTING DETAIL - 2

REV. 10-30-2020

L-12

MODEL: \$MODELNAME\$
FILE NAME: \$FILEL\$

| | | |
|---------------|----------------|-----------|
| USER NAME = | DESIGNED - MKR | REVISED - |
| CHECKED - MKR | REVISED - | |
| PLOT SCALE = | DRAWN - MRT | REVISED - |
| PLOT DATE = | CHECKED - | REVISED - |

STATE OF ILLINOIS
DEPARTMENT OF TRANSPORTATION

LIGHTING DETAILS
QUINCY MEMORIAL BRIDGE

SHEET 12 OF 16 SHEETS

| | | | | |
|---------------------------|-----------|--------------|-----------------|--------------|
| F.A.P. R.T.E. 63 | SECTION * | COUNTY ADAMS | TOTAL SHEETS 78 | SHEET NO. 74 |
| CONTRACT NO. 72L58 | | | | |
| ILLINOIS FED. AID PROJECT | | | | |

(12B) BP, BRR, BJR-1, BDR, L