

STATE OF ILLINOIS  
DEPARTMENT OF TRANSPORTATION

F.A.P. RTE.	SECTION	COUNTY	TOTAL SHEETS	SHEET NO.
VAR	DIST 8 PATCHING 2021-2	ILLINOIS	14	I
*MADISON AND ST. CLAIR		CONTRACT NO. 76N88		

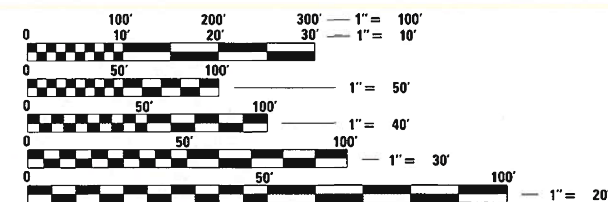
FOR INDEX OF SHEETS, SEE SHEET NO. 2

PROPOSED  
HIGHWAY PLANS

VARIOUS ROUTES  
SECTION DIST 8 PATCHING 2021-2  
PATCHING  
MADISON AND ST. CLAIR COUNTIES

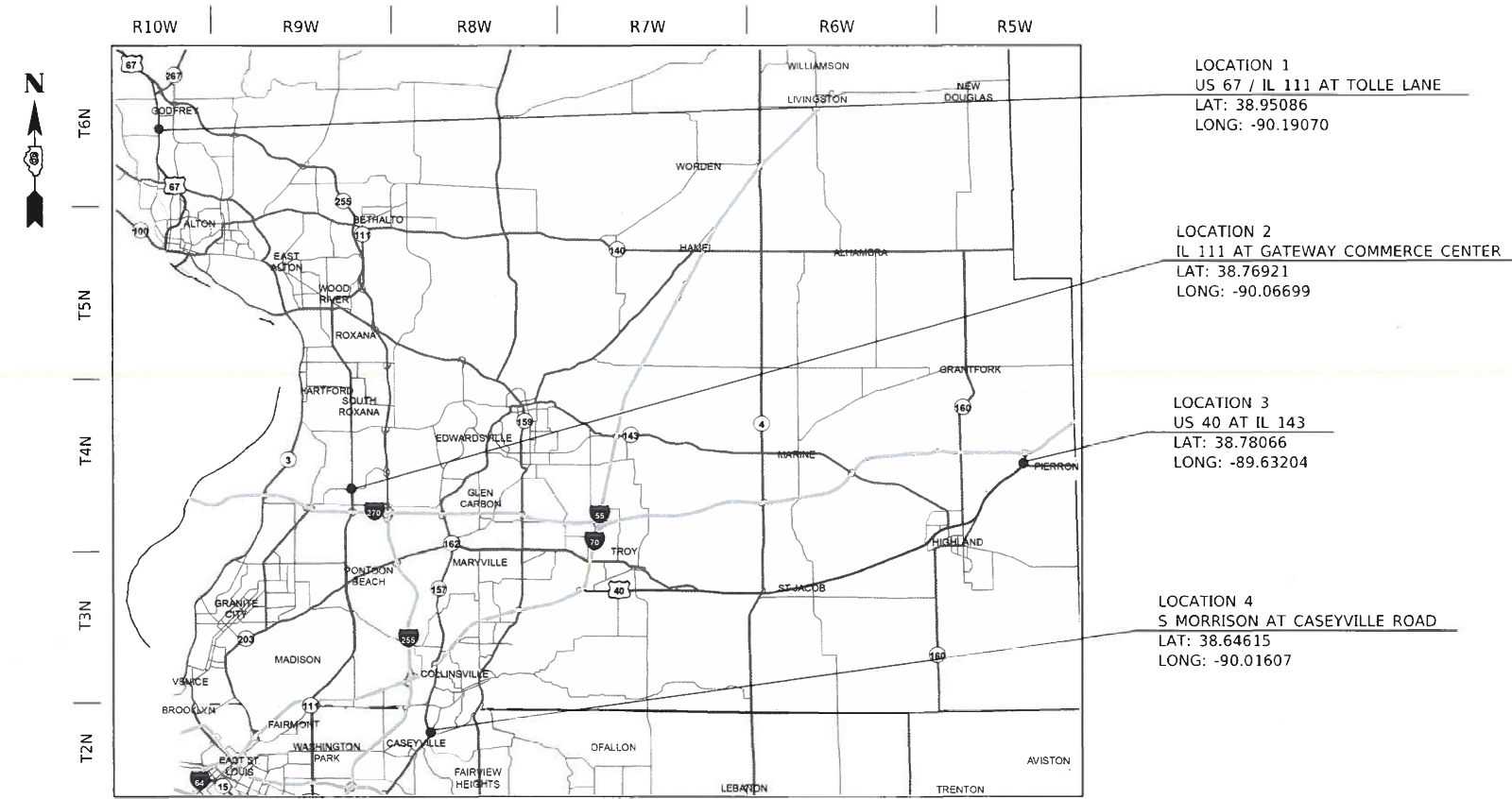
C-98-127-20

D-98-117-20



FULL SIZE PLANS HAVE BEEN PREPARED USING STANDARD ENGINEERING SCALES. REDUCED SIZED PLANS WILL NOT CONFORM TO STANDARD SCALES. IN MAKING MEASUREMENTS ON REDUCED PLANS, THE ABOVE SCALES MAY BE USED.

J.U.L.I.E.  
JOINT UTILITY LOCATION INFORMATION FOR EXCAVATORS  
1-800-892-0123  
OR 811



GROSS / NET LENGTH = 1362 FT. = 0.25 MILE

PROJECT ENGINEER: HERVE GELIN (618) 346-3179  
PROJECT MANAGER: BILLIE OWEN (618) 346-3209

CONTRACT NO. 76N88

STATE OF ILLINOIS  
DEPARTMENT OF TRANSPORTATION

SUBMITTED Aug. 4, 2020  
*Keith Roberts*  
REGIONAL ENGINEER

October 2, 2020  
*Scott A. Etk*  
ENGINEER OF DESIGN AND ENVIRONMENT

October 2, 2020  
*James J. ...*  
DIRECTOR OF HIGHWAYS PROJECT IMPLEMENTATION 13

PRINTED BY THE AUTHORITY  
OF THE STATE OF ILLINOIS

## INDEX OF SHEETS

- 1 COVER SHEET
- 2 INDEX OF SHEETS, HIGHWAY STANDARDS, GENERAL NOTES, COMMITMENTS, AND ADT
- 3-4 SUMMARY OF QUANTITIES
- 5-9 TYPICAL SECTIONS
- 10-11 SCHEDULES
- 12-14 ELECTRICAL SHEETS

## GENERAL NOTES

- 1 THE FOLLOWING UTILITIES KNOWN TO HAVE FACILITIES WITHIN THE PROJECT AREA ARE AS FOLLOWS:

<p>LOCATION 1 US 67/IL 111 AT TOLLE LANE</p> <ul style="list-style-type: none"> <li>* AMEREN ILLINOIS</li> <li>* AT&amp;T ILLINOIS</li> <li>* CHARTER COMMUNICATIONS</li> <li>* DEPARTMENT OF CENTRAL MANAGEMENT SERVICES</li> <li>* VILLAGE OF GODFREY</li> <li>* ILLINOIS AMERICAN WATER COMPANY</li> <li>* WANRACK, LLC</li> </ul>	<p>LOCATION 3 US 40 AT IL 143</p> <ul style="list-style-type: none"> <li>* ALHAMBRA-GRANTFORK TELEPHONE CO.</li> <li>* AMEREN ILLINOIS</li> <li>* CHARTER COMMUNICATIONS</li> <li>* CLEARWAVE COMMUNICATIONS</li> <li>* DEPARTMENT OF CENTRAL MANAGEMENT SERVICES</li> <li>* FRONTIER COMMUNICATIONS</li> <li>* CITY OF HIGHLAND</li> <li>* VILLAGE OF PIERRON</li> </ul>
---	---

<p>LOCATION 2 IL 111 AT GATEWAY COMMERCE CENTER</p> <ul style="list-style-type: none"> <li>* AMEREN ILLINOIS</li> <li>* AT&amp;T ILLINOIS</li> <li>* BUCKEYE PARTNERS L.P. - WOODDRIVER PIPELINE</li> <li>* CHARTER COMMUNICATIONS</li> <li>* EVERSTREAM GLC HOLDING COMPANY LLC</li> <li>* MADISON COUNTY SANITARY SEWER</li> <li>* VERIZON BUSINESS</li> <li>* MITCHELL PUBLIC WATER DISTRICT</li> </ul>	<p>LOCATION 4 SOUTH MORRISON AT CASEYVILLE ROAD</p> <ul style="list-style-type: none"> <li>* AMEREN ILLINOIS</li> <li>* AT&amp;T ILLINOIS</li> <li>* CHARTER COMMUNICATIONS</li> <li>* CITY OF COLLINSVILLE</li> <li>* ILLINOIS NETWORK ALLIANCE</li> <li>* VERIZON BUSINESS</li> <li>* VILLAGE OF CASEYVILLE</li> </ul>
--	--

- 2 THE DEPARTMENT STRONGLY ENCOURAGES THE PRIME CONTRACTOR AND THEIR APPROVED SUB-CONTRACTORS TO HIRE MINORITY, WOMEN AND DISADVANTAGED INDIVIDUALS FROM ITS FEDERALLY FUNDED HIGHWAY CONSTRUCTION CAREERS TRAINING PROGRAM (HCCTP) TO HELP MEET WORKFORCE AND TRAINEE GOALS. THIS PROGRAM IS TRAINING MINORITIES, WOMEN AND DISADVANTAGED INDIVIDUALS IN HIGHWAY CONSTRUCTION-RELATED SKILLS, E.G., MATH FOR THE TRADES, JOB READINESS, TECHNICAL SKILLS COURSEWORK (CARPENTRY, CONCRETE FLATWORK, BLUEPRINT READING, SITE PLANS, SITE WORK, TOOL USE, ETC.) AND OSHA 10 HOUR CERTIFICATION, TO PREPARE THEM FOR A CAREER IN THE HIGHWAY CONSTRUCTION TRADES. GRADUATES ARE WELL-TRAINED AND READY TO BECOME PRODUCTIVE ENTRY-LEVEL CONSTRUCTION WORKERS. CONTACT THE DISTRICT 8 EEO OFFICE AT 618-46-3360 AND/OR THE HCCTP COORDINATOR AT 618-874-6528 TO LEARN MORE ABOUT THE PROGRAM AND FOR ASSISTANCE IN MEETING WORKFORCE AND TRAINEE GOALS.
- 3 PATCHING LOCATIONS SHALL BE MARKED OUT BY IDOT OPERATIONS PERSONNEL OR THE RESIDENT BEFORE WORK BEGINS.
- 4 CLASS C PATCHES MORE THAN 20 FT IN LENGTH SHALL BE TIED ACCORDING TO 442.06(a)(2) OF THE STANDARD SPECIFICATIONS FOR ROAD AND BRIDGE CONSTRUCTION.
- 5 CLASS C TYPE III OR CLASS C TYPE IV PATCHES SHALL BE REINFORCED WITH WELDED WIRE REINFORCEMENT ACCORDING TO ARTICLE 442.06(a)(2) OF THE STANDARD SPECIFICATIONS FOR ROAD AND BRIDGE CONSTRUCTION.
- 6 HIGH EARLY STRENGTH CONCRETE FOR PAVEMENT PATCHING WILL BE ALLOWED.

## HIGHWAY STANDARDS

<p>000001-07 001006 420701-03 442201-03 701201-05 701301-04 701311-03 701421-08 701426-09 701427-05 701701-10 701901-08 780001-05 781001-04 886001 01 886006-01</p>	<p>STANDARD SYMBOLS, ABBREVIATIONS AND PATTERNS DECIMAL OF AN INCH AND OF A FOOT PAVEMENT WELDED WIRE REINFORCEMENT CLASS C AND D PATCHES LANE CLOSURE, 2L, 2W, DAY ONLY, FOR SPEEDS ≥45 MPH LANE CLOSURE, 2L, 2W, SHORT TIME OPERATIONS LANE CLOSURE, 2L, 2W MOVING OPERATIONS - DAY ONLY LANE CLOSURE, MULTILANE, DAY OPERATIONS ONLY, FOR SPEEDS ≥45MPH TO 55 MPH LANE CLOSURE, MULTILANE, INTERMITTENT OR MOVING OPERATIONS, FOR SPEEDS ≥45MPH LANE CLOSURE, MULTILANE, INTERMITTENT OR MOVING OPERATIONS, FOR SPEEDS ≥40MPH URBAN LANE CLOSURE, MULTILANE INTERSECTION TRAFFIC CONTROL DEVICES TYPICAL PAVEMENT MARKINGS TYPICAL APPLICATIONS RAISED REFLECTIVE PAVEMENT MARKERS DETECTOR LOOP INSTALLATIONS TYPICAL LAYOUTS FOR DETECTION LOOPS</p>
---	---

## COMMITMENTS

NONE

## ADT

LOCATION #1  
US 67 / IL 111 AT TOLLE LANE  
2019 ADT = 20500 (ACTUAL)  
2021 ADT = 20800 (ESTIMATED)  
2041 ADT = 23900 (ESTIMATED)  
SU = 2.3% MU = 1.1%

LOCATION #2  
IL 111 AT GATEWAY COMMERCE CENTER  
2019 ADT = 12600 (ACTUAL)  
2021 ADT = 12800 (ESTIMATED)  
2041 ADT = 14700 (ESTIMATED)  
SU = 13.5% MU = 15.1%

LOCATION #3  
US 40 AT IL 143  
2019 ADT = 6100 (ACTUAL)  
2021 ADT = 6200 (ESTIMATED)  
2041 ADT = 7100 (ESTIMATED)  
SU = 3.7% MU = 7.0%

LOCATION #4  
SOUTH MORRISON AT CASEYVILLE ROAD  
2018 ADT = 5850 (ACTUAL)  
2021 ADT = 5950 (ESTIMATED)  
2041 ADT = 6800 (ESTIMATED)  
SU = 2.7% MU = 1.4%

**STATE OF ILLINOIS  
DEPARTMENT OF TRANSPORTATION**

**INDEX OF SHEETS, HIGHWAY STANDARDS, GENERAL NOTES,  
COMMITMENTS, AND ADT**

SCALE: SHEET OF SHEETS STA. TO STA.

F.A.P. RTE.	SECTION	COUNTY	TOTAL SHEETS	SHEET NO.
VAR.	DIST 8 PATCHING 2021-2	*	14	2
*MADISON AND ST. CLAIR		CONTRACT NO. 76N88		
ILLINOIS		FED. AID PROJECT		

URBAN  
100%  
STATE

CODE			TOTAL	CONSTRUCTION CODE			
				LOCATION 1	LOCATION 2	LOCATION 3	LOCATION 4
				MADISON COUNTY	MADISON COUNTY	MADISON COUNTY	ST. CLAIR COUNTY
				US 67 ROADWAY 0006	IL 111 ROADWAY 0006	US 40 ROADWAY 0006	S. MORRISON ROADWAY 0006
4420050	WELDED WIRE REINFORCEMENT	SQ YD	1727	400	1067	160	100
44201396	CLASS C PATCHES, TYPE IV, 13 INCH	SQ YD	160			160	
44201415	CLASS C PATCHES, TYPE II, 15 INCH	SQ YD	37		37		
44201419	CLASS C PATCHES, TYPE III, 15 INCH	SQ YD	68		68		
44201421	CLASS C PATCHES, TYPE IV, 15 INCH	SQ YD	1499	400	999		100
44213204	TIE BARS 3/4"	EACH	655	150	407	60	38
67000400	ENGINEER'S FIELD OFFICE, TYPE A	CAL MO	4	1	1	1	1
67100100	MOBILIZATION	L SUM	1	0.25	0.25	0.25	0.25
70100310	TRAFFIC CONTROL AND PROTECTION, STANDARD 701421	L SUM	1		1		
70100450	TRAFFIC CONTROL AND PROTECTION, STANDARD 701201	L SUM	1			1	
70102635	TRAFFIC CONTROL AND PROTECTION, STANDARD 701701	L SUM	1	0.25	0.25	0.25	0.25
70200100	NIGHTTIME WORK ZONE LIGHTING	L SUM	1		1		
* 78001100	PAINT PAVEMENT MARKING - LETTERS AND SYMBOLS	SQ FT	73		73		
* 78001110	PAINT PAVEMENT MARKING - LINE 4"	FOOT	1834	375	964	270	225

\* SPECIALTY ITEM

STATE OF ILLINOIS  
DEPARTMENT OF TRANSPORTATION

SUMMARY OF QUANTITIES

USER NAME = challesdeske	DESIGNED -	REVISED -	SCALE:	SHEET	OF	SHEETS	STA.	TO STA.	F.A.P. RTE.	SECTION	COUNTY	TOTAL SHEETS	SHEET NO.
PLOT SCALE = 100.0000' / in.	DRAWN -	REVISED -							VAR.	DIST 8 PATCHING 2021-2	*	14	3
PLOT DATE = 8/7/2020	CHECKED -	REVISED -							* MADISON AND ST. CLAIR		CONTRACT NO. 76N88		
	DATE -	REVISED -							ILLINOIS		FED. AID PROJECT		

URBAN  
100%  
STATE

				CONSTRUCTION CODE			
CODE			TOTAL	LOCATION 1	LOCATION 2	LOCATION 3	LOCATION 4
				MADISON COUNTY	MADISON COUNTY	MADISON COUNTY	ST. CLAIR COUNTY
				US 67	IL 111	US 40	S. MORRISON
				ROADWAY	ROADWAY	ROADWAY	ROADWAY
				0006	0006	0006	0006
*	78001150	PAINT PAVEMENT MARKING - LINE 12"	FOOT 24	24			
*	78001180	PAINT PAVEMENT MARKING - LINE 24"	FOOT 120	12	84	12	12
*	78100100	RAISED REFLECTIVE PAVEMENT MARKER	EACH 34	4	25	3	2
*	80300100	LOCATING UNDERGROUND CABLE	FOOT 100	20	80		
*	88600600	DETECTOR LOOP REPLACEMENT	FOOT 3508	436	3072		
Ø	Z0076604	TRAINEES TRAINING PROGRAM GRADUATE	HOUR 500	500			

\* SPECIALTY ITEM

Ø 0042

REV. - MS

MODEL: Default  
 FILE: \\nas101.pbx1.plm.com\data\illinois.gov\PWIDOT\Documents\DOT\_Offices\District 8\Projects\076N88\CADD\03tab\CAD\sheet\076N88-sh-500.dgn

USER NAME = challandeske	DESIGNED -	REVISED -
	DRAWN -	REVISED -
PLOT SCALE = 100.0000' / in.	CHECKED -	REVISED -
PLOT DATE = 8/7/2020	DATE -	REVISED -

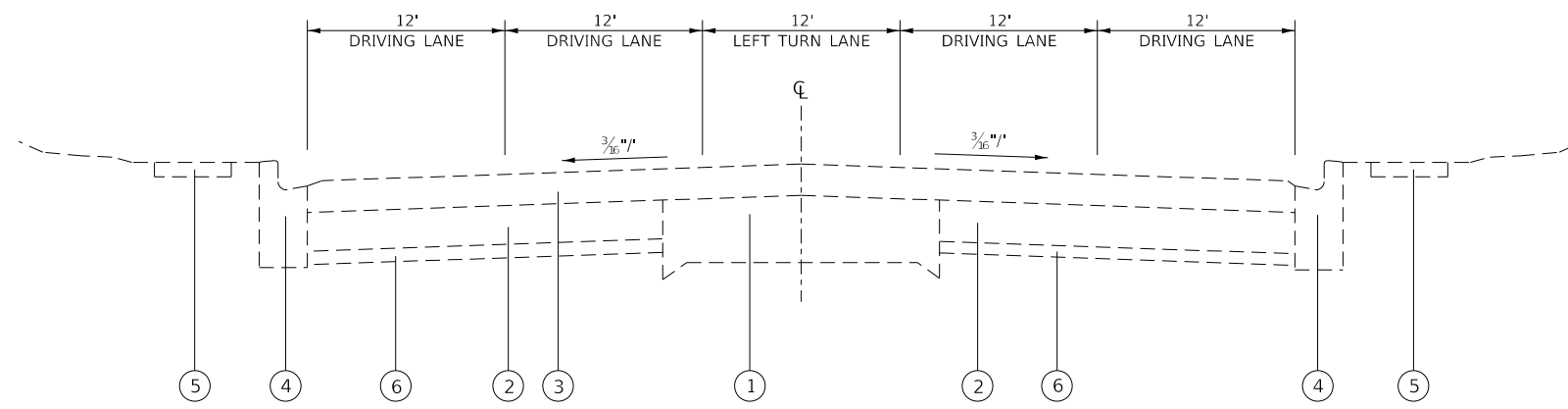
**STATE OF ILLINOIS  
DEPARTMENT OF TRANSPORTATION**

**SUMMARY OF QUANTITIES**

SCALE: SHEET OF SHEETS STA. TO STA.

F.A.P. RTE.	SECTION	COUNTY	TOTAL SHEETS	SHEET NO.
VAR.	DIST 8 PATCHING 2021-2	*	14	4
* MADISON AND ST. CLAIR			CONTRACT NO. 76N88	
		ILLINOIS	FED. AID PROJECT	

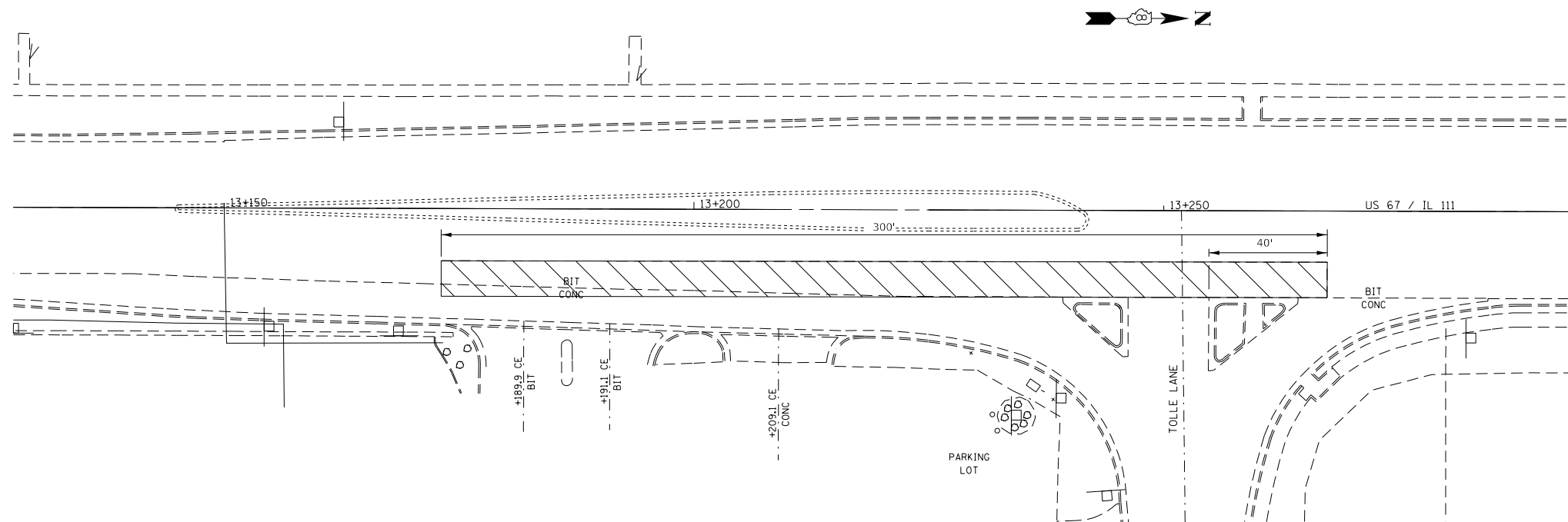




PROPOSED TYPICAL STA. 13+235 TO STA. 13+328.5

LEGEND: LOCATION 1

- 1 EXISTING PAVEMENT
- 2 EXISTING P.C.C. BASE COURSE 10"
- 3 EXISTING HOT-MIX ASPHALT RESURFACING +/- 5/4"
- 4 EXISTING CONCRETE GUTTER TYPE A
- 5 EXISTING CONCRETE SIDEWALK - 3'
- 6 EXISTING SUB-BASE GRANULAR MAT'L, TYPE A, 4"



MODEL: Default  
FILE: \h:\c:\p\uplanroom\d\illinois.gov\p\w\DOT\Documents\DOT\_Offices\Director @Projects\076888\CADD\data\CAD\sheets\076888-shc-typical.dgn

USER NAME = challandeske	DESIGNED -	REVISED -
	DRAWN -	REVISED -
PLOT SCALE = 100.0000' / in.	CHECKED -	REVISED -
PLOT DATE = 8/7/2020	DATE -	REVISED -

**STATE OF ILLINOIS  
DEPARTMENT OF TRANSPORTATION**

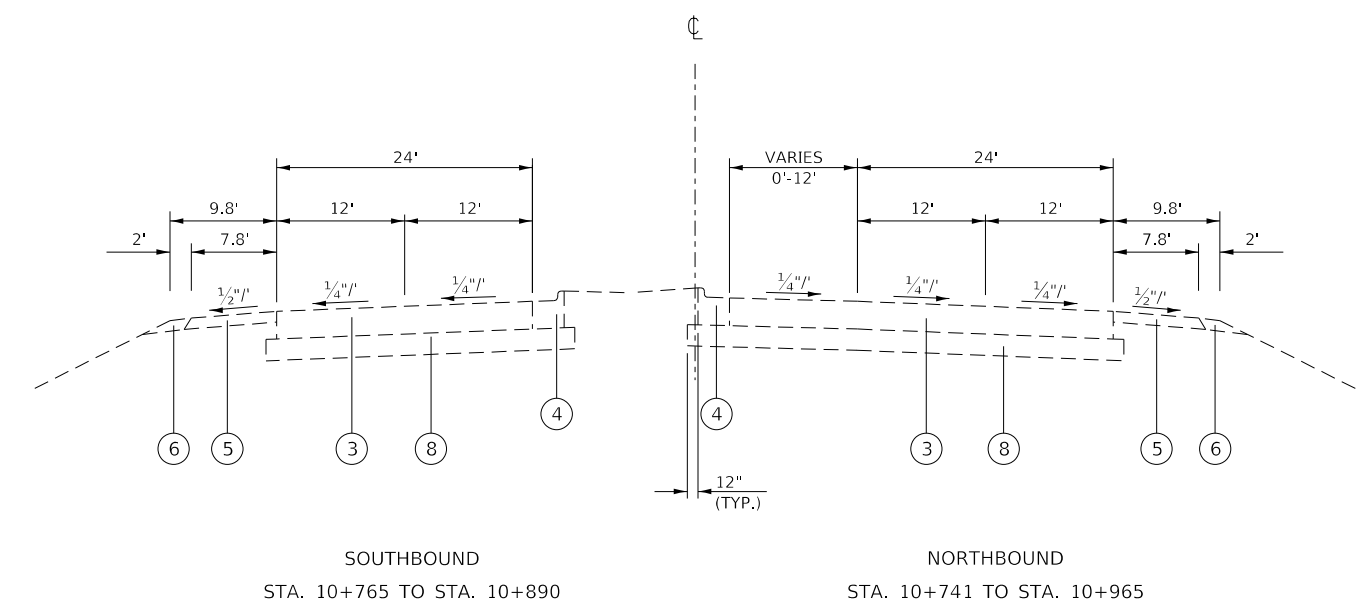
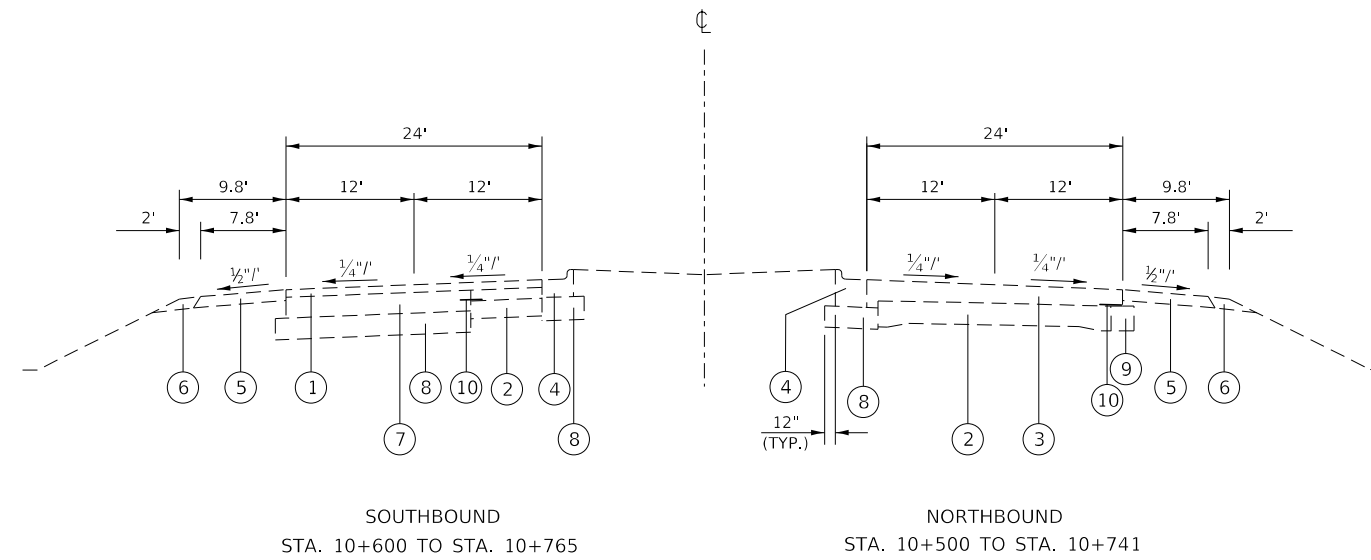
**TYPICAL SECTIONS  
LOCATION 1 US 67 / IL 111 AT TOLLE LANE**

SCALE: NTS SHEET 1 OF 1 SHEETS STA. TO STA.

F.A.P. RTE.	SECTION	COUNTY	TOTAL SHEETS	SHEET NO.
VAR	DIST 8 PATCHING 2021-2	-	14	5
*MADISON AND ST. CLAIR		CONTRACT NO. 76N88		
ILLINOIS		FED. AID PROJECT		

LEGEND: LOCATION 2

- 1 EXISTING HOT-MIX ASPHALT OVERLAY - VARIES ±9"
- 2 EXISTING P.C.C. PAVEMENT
- 3 HOT-MIX ASPHALT PAVEMENT (FULL-DEPTH), TYPE 2, 15"
- 4 COMBINATION CONCRETE CURB & GUTTER, TYPE B-15.60
- 5 HOT-MIX ASPHALT SHOULDERS - 6"
- 6 AGGREGATE SHOULDERS, TYPE B
- 7 HOT-MIX ASPHALT BASE COURSE - 11½"
- 8 AGGREGATE BASE COURSE, TYPE A, 11¾"
- 9 PORTLAND CEMENT CONCRETE BASE COURSE, 10"
- 10 STRIP REFLECTIVE CRACK CONTROL TREATMENT



METRIC STATIONS FOR REFERENCE ONLY

MODEL: Default  
 FILE: \\nls1c1-pix\uplanroom\data\illinois.gov\PIWIDOT\Documents\DOT\_Offices\District 8\Projects\1076\888\CADD\data\CAD\pieces\076888-shc-typlc1.dgn

USER NAME = challandeske	DESIGNED -	REVISED -
	DRAWN -	REVISED -
PLOT SCALE = 100.0000' / in.	CHECKED -	REVISED -
PLOT DATE = 8/7/2020	DATE -	REVISED -

**STATE OF ILLINOIS  
DEPARTMENT OF TRANSPORTATION**

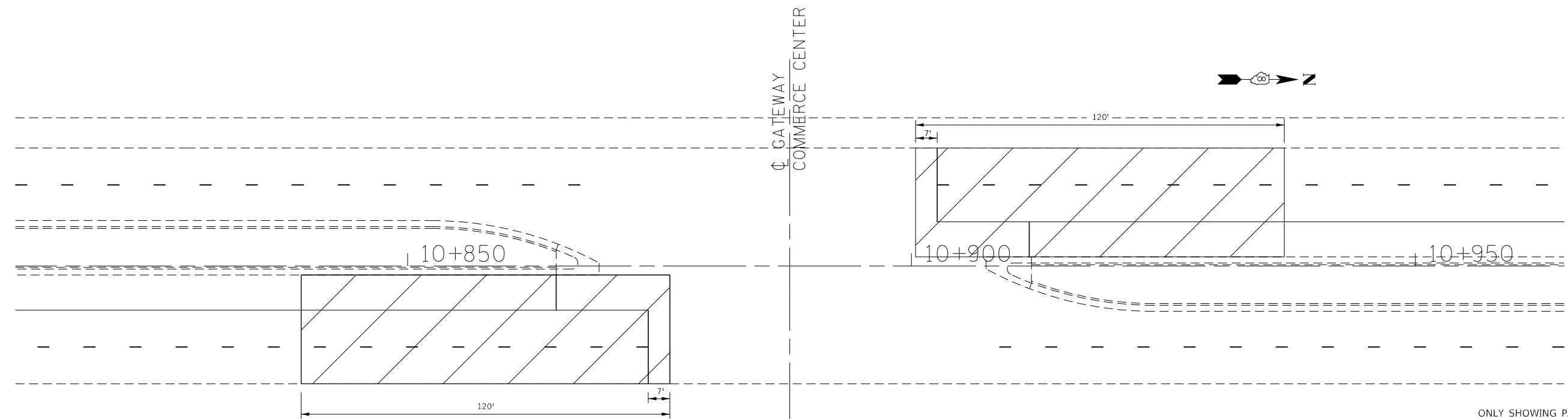
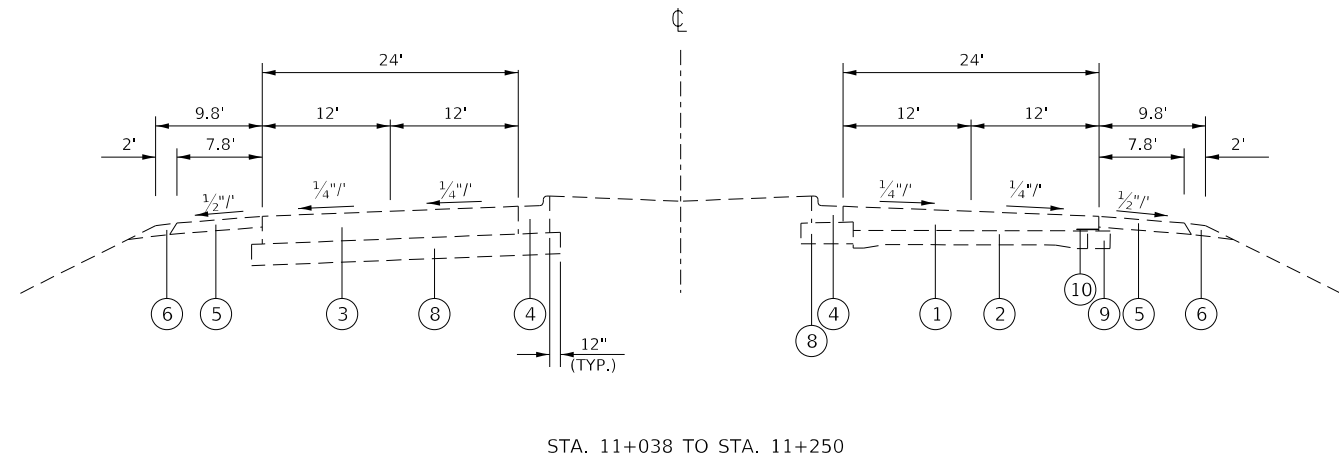
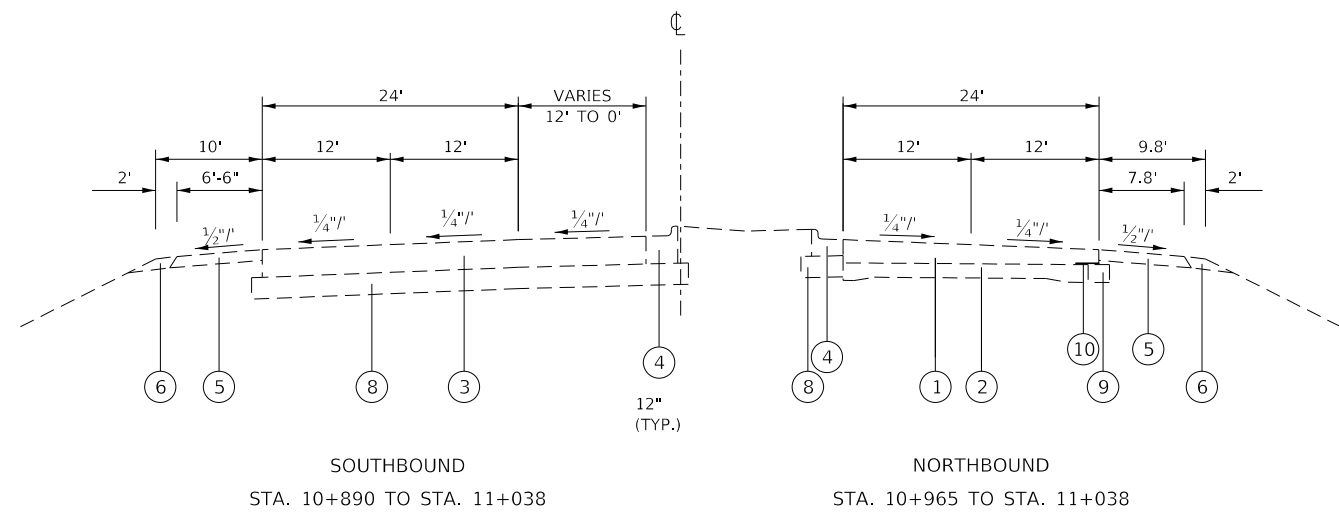
**TYPICAL SECTIONS  
LOCATION 2 IL 111 AT GATEWAY COMMERCE CENTER**

SCALE: NTS SHEET 1 OF 2 SHEETS STA. TO STA.

F.A.P. RTE.	SECTION	COUNTY	TOTAL SHEETS	SHEET NO.
VAR	DIST 8 PATCHING 2021-2	-	14	6
*MADISON AND ST. CLAIR		CONTRACT NO. 76N88		
ILLINOIS		FED. AID PROJECT		

LEGEND: LOCATION 2

- 1 EXISTING HOT-MIX ASPHALT OVERLAY - VARIES
- 2 EXISTING P.C.C. PAVEMENT
- 3 HOT-MIX ASPHALT PAVEMENT (FULL-DEPTH), TYPE 2, 15"
- 4 COMBINATION CONCRETE CURB & GUTTER, TYPE B-15.60
- 5 HOT-MIX ASPHALT SHOULDERS - 6"
- 6 AGGREGATE SHOULDERS, TYPE B
- 7 HOT-MIX ASPHALT BASE COURSE - 11½"
- 8 AGGREGATE BASE COURSE, TYPE A, 11¾"
- 9 PORTLAND CEMENT CONCRETE BASE COURSE, 10"
- 10 STRIP REFLECTIVE CRACK CONTROL TREATMENT



ONLY SHOWING PATCHES AT INTERSECTION.  
SEE SCHEDULE FOR REMAINING LOCATIONS.  
METRIC STATIONS FOR REFERENCE ONLY

MODEL: Default  
 FILE: \\nlsr-pc\pub\lanroom.dwg\illinois.gov\PIV\DOT\Documents\DOT\_Offices\Illinrct @ Projects\076888\CADD\DATA\CAD\pieces\076888-shc-tp1c1.dgn

USER NAME = challandeske	DESIGNED -	REVISED -
	DRAWN -	REVISED -
PLOT SCALE = 100,0000' / in.	CHECKED -	REVISED -
PLOT DATE = 8/7/2020	DATE -	REVISED -

**STATE OF ILLINOIS  
DEPARTMENT OF TRANSPORTATION**

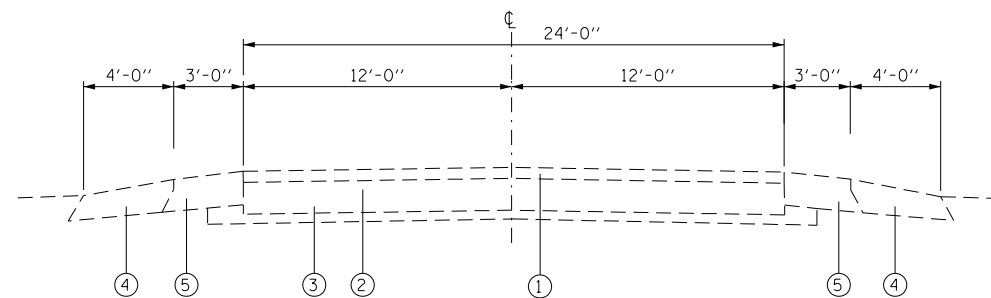
TYPICAL SECTIONS			
LOCATION 2 IL 111 AT GATEWAY COMMERCE CENTER			
SCALE: NTS	SHEET 2	OF 2 SHEETS	STA. TO STA.

F.A.P. RTE.	SECTION	COUNTY	TOTAL SHEETS	SHEET NO.
VAR	DIST 8 PATCHING 2021-2	-	14	7
*MADISON AND ST. CLAIR			CONTRACT NO. 76N88	
ILLINOIS		FED. AID PROJECT		

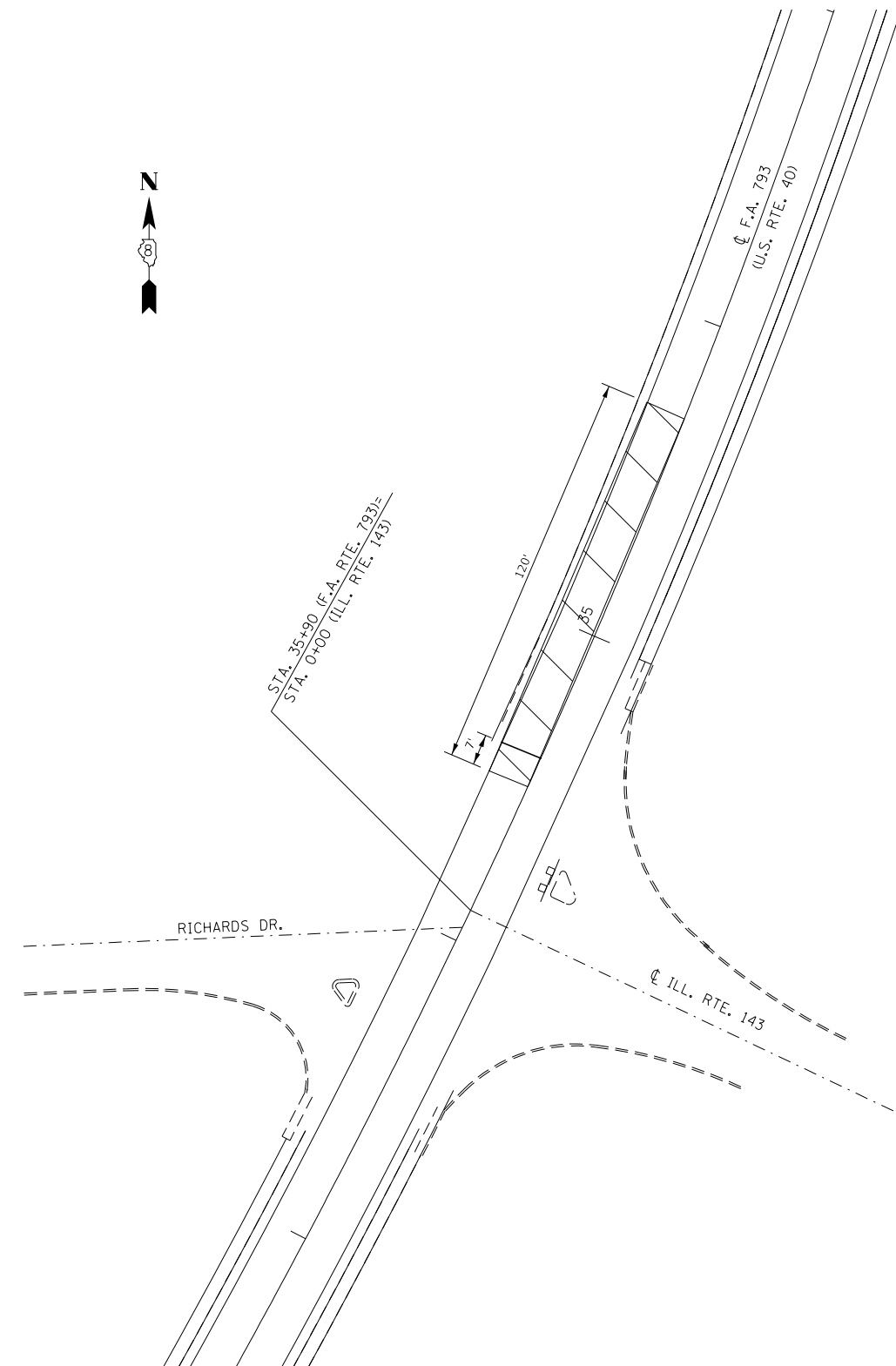
LEGEND: LOCATION 3

- 1 EXISTING HOT-MIX ASPHALT OVERLAY 2.5"
- 2 EXISTING 10" P.C.C. PAVEMENT, WITH #5 TIE BARS, 2'-6" LONG AND PAVEMENT FABRIC
- 3 EXISTING 4" GRANULAR SUB-BASE
- 4 EXISTING AGGREGATE SHOULDERS
- 5 EXISTING HOT-MIX ASPHALT SHOULDER, 8.5"

 APPROXIMATE PATCH AREA



STA. 44+50.00 TO STA. 8+22.00



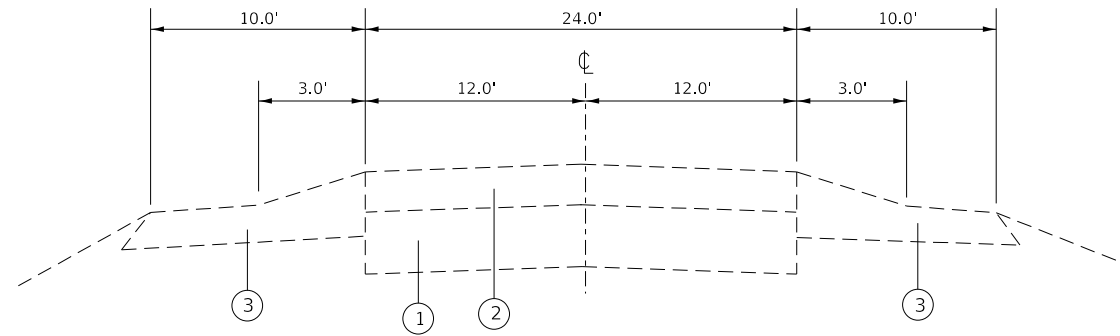
**STATE OF ILLINOIS  
DEPARTMENT OF TRANSPORTATION**

**TYPICAL SECTIONS  
LOCATION 3 US 40 AT IL 143**

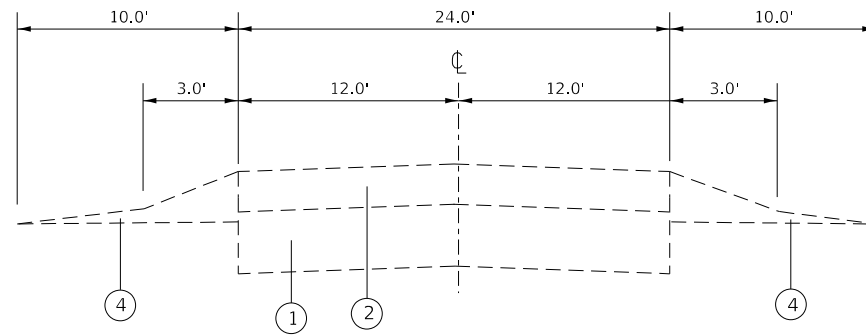
SCALE: NTS SHEET 1 OF 1 SHEETS STA. TO STA.

F.A.P. RTE.	SECTION	COUNTY	TOTAL SHEETS	SHEET NO.
VAR	DIST 8 PATCHING 2021-2	-	14	8
*MADISON AND ST. CLAIR		CONTRACT NO. 76N88		
		ILLINOIS	FED. AID PROJECT	

MODEL: Default  
FILE: \\s:\c:\p\uplanroom\dat\illinois.gov\PIWIDOT\Documents\DOT\_Offices\Dist1ct\_8\Projects\1476\888\CAD\Drawings\07\_76N88-shc-typlst1.dgn



MI. STA. 0.01 TO MI. STA. 0.13  
(SOUTH MORRISON AVE.)



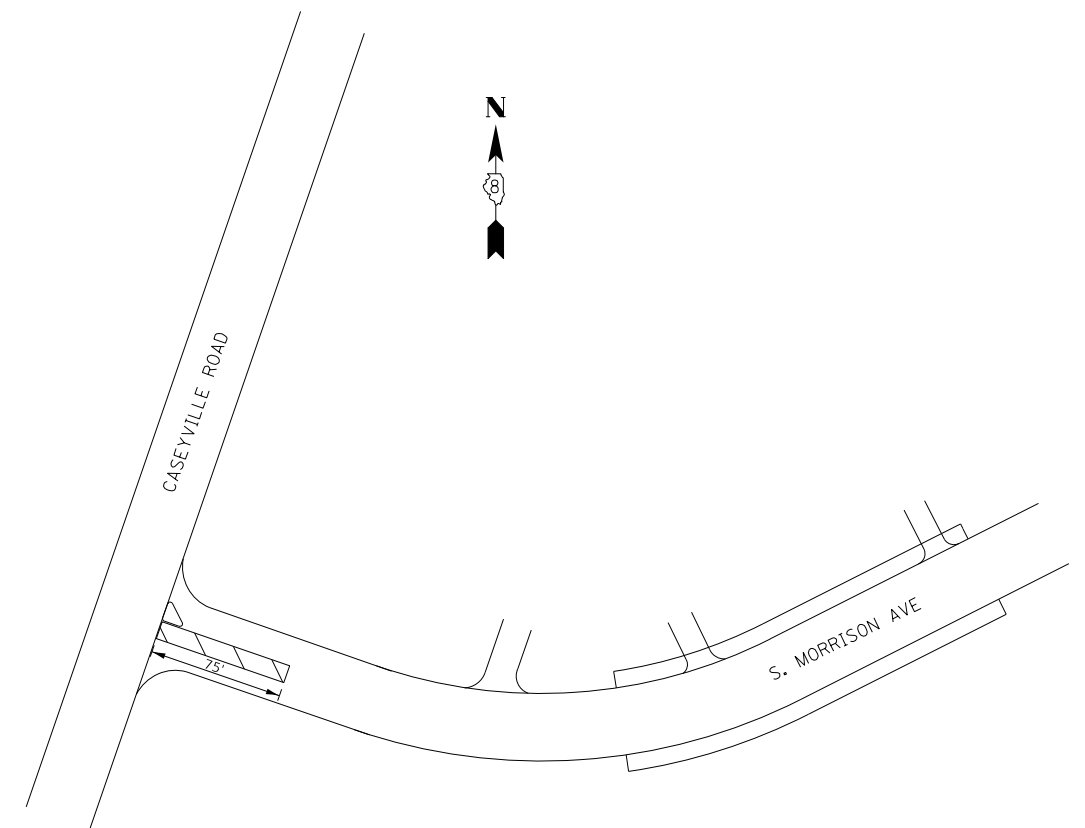
MI. STA. 0.13 TO MI. STA. 0.39  
(SOUTH MORRISON AVE.)

LEGEND: LOCATION 4

- 1 EXISTING P.C.C. PAVEMENT 9"
- 2 EXISTING HOT-MIX ASPHALT OVERLAY ± 6"
- 3 EXISTING HOT-MIX ASPHALT SHOULDER
- 4 EXISTING AGGREGATE SHOULDER



APPROXIMATE PATCH AREA



MODEL: Default  
 FILE: \\nrcs-pix\pub\anrcm\dat\illinois.gov\PWIDOT\Documents\DOT\_Offices\District 8\Projects\Dist 8\CAD\Drawings\07761888-shc-tp1-shc1.dgn

USER NAME = challandeske	DESIGNED -	REVISED -
	DRAWN -	REVISED -
PLOT SCALE = 100.0000' / in.	CHECKED -	REVISED -
PLOT DATE = 8/7/2020	DATE -	REVISED -

STATE OF ILLINOIS  
DEPARTMENT OF TRANSPORTATION

TYPICAL SECTIONS  
LOCATION 4 SOUTH MORRISON AT CASEYVILLE ROAD

SCALE: NTS      SHEET 1 OF 1 SHEETS      STA.      TO STA.

F.A.P. RTE.	SECTION	COUNTY	TOTAL SHEETS	SHEET NO.
VAR	DIST 8 PATCHING 2021-2	-	14	9
*MADISON AND ST. CLAIR		CONTRACT NO. 76N88		
ILLINOIS		FED. AID PROJECT		

PATCHING SCHEDULE										
LOCATION	LENGTH	WIDTH	AREA	TIE BARS	WELDED WIRE	CLASS C PATCHES	CLASS C PATCHES	CLASS C PATCHES	CLASS C PATCHES	NOTES
	FOOT	FOOT	SQ YDS	3/4" EACH	REINFORCEMENT SQ YD	TYPE II, 15" SQ YD	TYPE III, 15" SQ YD	TYPE IV, 15" SQ YD	TYPE IV, 13" SQ YD	
US 67/GODFREY ROAD AT TOLLE LANE										
NORTHBOUND LANE 2	300	12	400	150	400			400		START PATCH 40' NORTH OF TOLLE LANE PAVEMENT JOINT AT ISLAND AS SHOWN IN DETAIL
IL 111 NB AT GATEWAY COMMERCE										
NB RIGHT TURN LANE	42	2.75	13	21		12.8				
	7	6.5	5			5.1				
	16	9	16		16		16.0			
	29	12	39	16	39			38.7		
	8	12	11			10.7				
	22	12	29	11	29		29.3			
	17	12	23		23		22.7			
	6	12	8			8.0				
NB LEFT TURN LANE										
	120	12	160	60	160			160.0		START 7' NORTH OF THRU LANES STOP BAR SEE DETAIL
NB LANE 1										
	120	12	160	60	160			160.0		START 7' NORTH OF THRU LANES STOP BAR SEE DETAIL
NB LANE 2										
	120	12	160	60	160			160.0		START 7' NORTH OF THRU LANES STOP BAR SEE DETAIL
IL 111 SB AT GATEWAY COMMERCE										
SB LEFT TURN LANE										
	120	12	160	60	160			160.0		START 7' SOUTH OF THRU LANES STOP BAR SEE DETAIL
SB LANE 1										
	120	12	160	60	160			160.0		START 7' SOUTH OF THRU LANES STOP BAR SEE DETAIL
SB LANE 2										
	120	12	160	60	160			160.0		START 7' SOUTH OF THRU LANES STOP BAR SEE DETAIL
SOUTHBOUND US 40 AT IL 143										
SB LANE 1										
	120	12	160	60	160				160.0	FLASHING BEACON: START 7' SOUTH OF STOP BAR SEE DETAIL
SOUTH MORRISON AT CASEYVILLE RD										
WB LANE 1										
	75	12	100	38	100			100.0		FLASHING BEACON
			TOTAL	655	1727	37	68	1499	160	

MODEL: Default  
 FILE: \\nrc\p\planningroom\data\illinois.gov\PWIDOT\Documents\DOT\_Offices\District\_8\Projects\IDF76N88\CADD\Drawings\DOT\_76N88-111-schedule.dgn

USER NAME = challandeske	DESIGNED -	REVISED -
	DRAWN -	REVISED -
PLOT SCALE = 100,0000' / in.	CHECKED -	REVISED -
PLOT DATE = 8/7/2020	DATE -	REVISED -

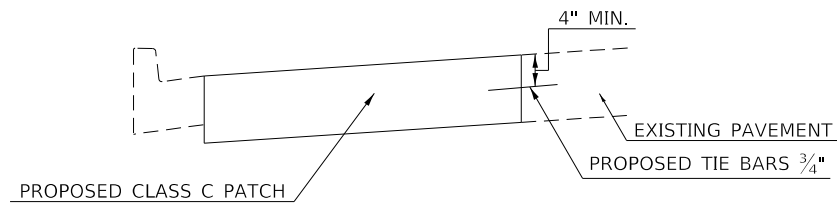
**STATE OF ILLINOIS**  
**DEPARTMENT OF TRANSPORTATION**

**SCHEDULES**

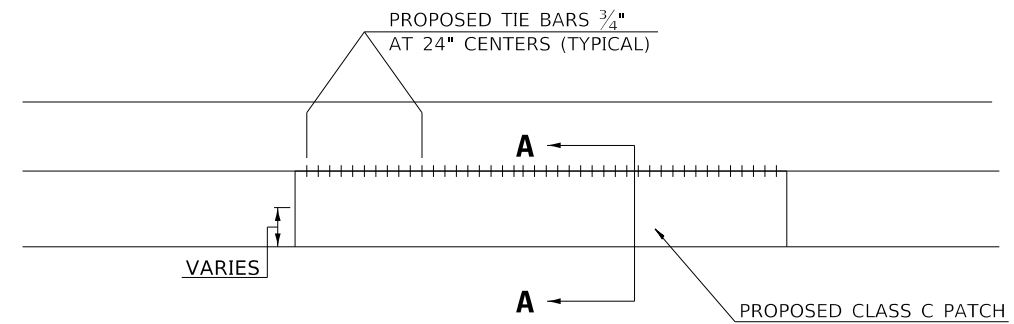
SCALE: SHEET OF SHEETS STA. TO STA.

F.A.P. RTE.	SECTION	COUNTY	TOTAL SHEETS	SHEET NO.
VAR	DIST 8 PATCHING 2021-2	*	14	10
* MADISON AND ST. CLAIR		CONTRACT NO. 76N88		
ILLINOIS		FED. AID PROJECT		

PAVEMENT MARKING SCHEDULE									
LOCATION		LENGTH	PAINT PAVEMENT MARKING LINE 4"		PAINT PAVEMENT MARKING LINE 12 "	PAINT PAVEMENT MARKING LINE 24"	PAINT PAVEMENT MARKING LETTERS AND SYMBOLS	RAISED REFLECTIVE PAVEMENT MARKERS	
			WHITE	YELLOW	FOOT	FOOT	FOOT	SQ FT	CRYSTAL
US 67/GODFREY ROAD AT TOLLE LANE									
NORTHBOUND LANE 2		300	375		24	12		4	
IL 111 NB AT GATEWAY COMMERCE									
NB RIGHT TURN LANE		42	52.5			12		2	
		7	8.75					1	
		16	20					1	
		29	36.25					1	
		8	10					1	
		22	27.5					1	
		17	21.25					1	
		6	7.5					1	
NB LEFT TURN LANE		120	120	120		12	36.4	3	
NB LANE 1		120	30			12		3	
NB LANE 2		120	120			12		3	
IL 111 SB AT GATEWAY COMMERCE									
SB LEFT TURN LANE		120	120	120		12	36.4	3	
SB LANE 1		120	30			12		3	
SB LANE 2		120	120			12		3	
SOUTHBOUND US 40 AT IL 143									
SB LANE 1		120	120	150		12			3
SOUTH MORRISON AT CASEYVILLE RD									
WB LANE 1		75	75	150		12			2
TOTAL			1834		24	120	73	34	



**SECTION A-A**



**CLASS C PATCHING DETAIL**

NOT TO SCALE

MODEL: Default  
FILE: \\nhdpc-pix\pub\hroom.dta\illinois.gov\PI\DOT\Documents\DOT\_Offices\Distctc @Projects\IDF76N88\CADD\ata\CAD\sheet\IDF76N88-shc-schedule.dgn

USER NAME = challeske	DESIGNED -	REVISED -
	DRAWN -	REVISED -
PLOT SCALE = 100.0000' / in.	CHECKED -	REVISED -
PLOT DATE = 8/7/2020	DATE -	REVISED -

**STATE OF ILLINOIS  
DEPARTMENT OF TRANSPORTATION**

**SCHEDULES AND DETAIL**

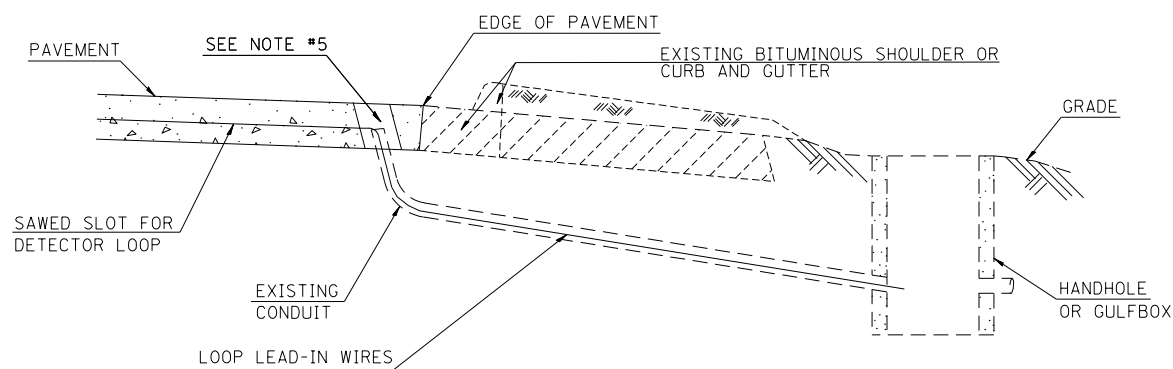
SCALE: SHEET OF SHEETS STA. TO STA.

F.A.P. RTE.	SECTION	COUNTY	TOTAL SHEETS	SHEET NO.
VAR	DIST 8 PATCHING 2021-2	*	14	11
* MADISON AND ST. CLAIR		CONTRACT NO. 76N88		
ILLINOIS		FED. AID PROJECT		

**NOTES:**

SEE TABLE "DETECTOR LOOP REQUIREMENTS AND CALCULATIONS"  
FOR LOOP SIZE AND CALCULATED NUMBER OF TURNS.  
SEE "DETAIL A" FOR INSTALLING DETECTOR LOOP WIRES  
IN EXISTING CONDUITS.

SCHEDULE OF QUANTITIES			TOTAL QUANTITIES	IL 111 & GATEWAY COMMERCE CENTER	US 67 & TOLLE LN.
CODE NO	ITEM	UNIT			
<del>80300100</del>	LOCATING UNDERGROUND CABLE	FOOT	100	80	20
<del>88600600</del>	DETECTOR LOOP REPLACEMENT	FOOT	3508	3072	436



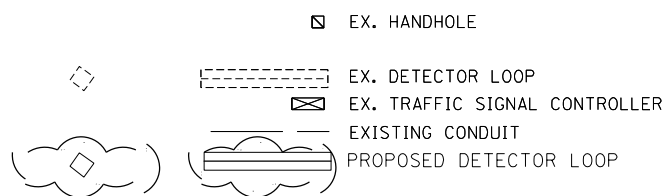
**DETAIL A**  
(NO SCALE)

**INSTALLING DETECTOR LOOP WIRES IN EXISTING CONDUIT**

1. DRILL OUT PAVEMENT SEALANT AND CLEAN EXISTING CONDUIT.
2. REMOVE EXISTING DETECTOR LOOP WIRES TO HANDHOLE OR GULFBOX.
3. INSTALL NEW LOOP LEAD-IN WIRES IN EXISTING CONDUIT.
4. SPLICE NEW DETECTOR LOOP WIRES TO EXISTING LOOP LEAD-IN CABLE IN HANDHOLE OR GULFBOX.
5. FILL HOLE WITH APPROVED SEALER. PREVENT SEALER FROM ENTERING INTO CONDUIT.
6. LOCATING UNDERGROUND CABLE WILL BE PAID FOR SEPARATELY.

NOT A PAY ITEM. THE COST OF THIS WORK SHALL BE INCLUDED IN THE PAY ITEM "DETECTOR LOOP REPLACEMENT"

**DETECTOR LOOP REPLACEMENT LEGEND**



MODEL: Default  
 FILE: \\nrcs-pic\uploadroom\data\illinois.gov\PIWIDOT\Documents\DOT\_Offices\District\_8\Projects\076N88\CADD\data\CAD\pieces\076N88-shr-tgplan

USER NAME = prestonme	DESIGNED -	REVISED -
	DRAWN -	REVISED -
PLOT SCALE = 40,0000 ' / in.	CHECKED -	REVISED -
PLOT DATE = 8/5/2020	DATE -	REVISED -

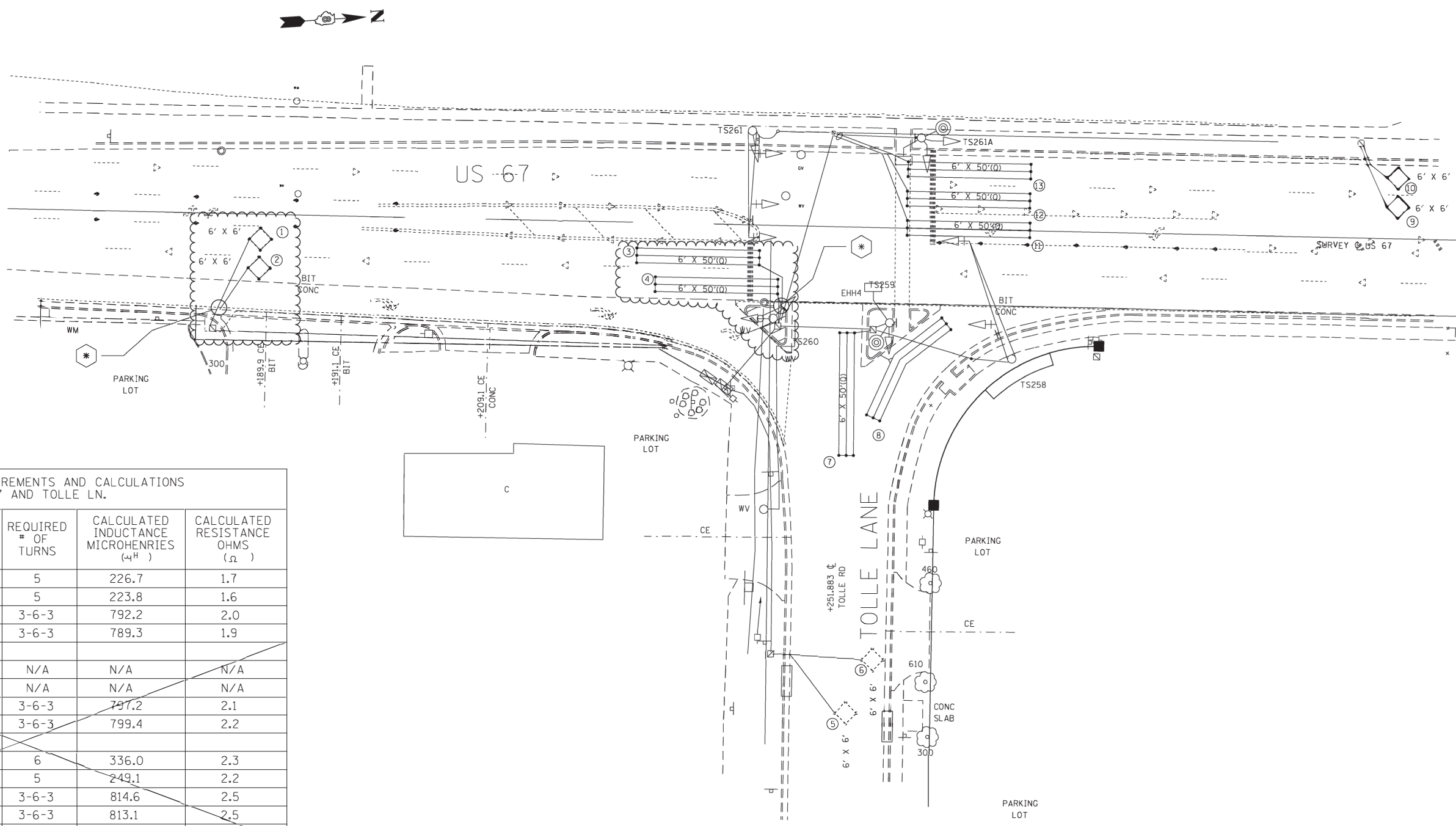
**STATE OF ILLINOIS  
DEPARTMENT OF TRANSPORTATION**

**DETECTOR LOOP REPLACEMENT  
GENERAL NOTES, SCHEDULE OF QUANTITIES,  
DETAIL AND LEGEND**

SCALE: SHEET OF SHEETS STA. TO STA.

F.A.P. RTE.	SECTION	COUNTY	TOTAL SHEETS	SHEET NO.
VAR.	DIST 8 PATCHING 2021-2	*	14	12
*MADISON AND ST. CLAIR		CONTRACT NO. 76N88		
		ILLINOIS	FED. AID PROJECT	





DETECTOR LOOP REQUIREMENTS AND CALCULATIONS FOR US 67 AND TOLLE LN.

LOOP	PHASE (Ø)	LOOP SIZE(M)	REQUIRED # OF TURNS	CALCULATED INDUCTANCE MICROHENRIES (4H)	CALCULATED RESISTANCE OHMS (Ω)
1. NB CCO A	2	6' X 6'	5	226.7	1.7
2. NB CCO B	2	6' X 6'	5	223.8	1.6
3. NB THRU CD	2	6' X 50'(Q)	3-6-3	792.2	2.0
4. NB THRU/RT CD	2	6' X 50'(Q)	3-6-3	789.3	1.9
<del>5. WB CCO A</del>	<del>4</del>	<del>6' X 6'</del>	<del>N/A</del>	<del>N/A</del>	<del>N/A</del>
<del>6. WB CCO B</del>	<del>4</del>	<del>6' X 6'</del>	<del>N/A</del>	<del>N/A</del>	<del>N/A</del>
<del>7. WB LT CD</del>	<del>4</del>	<del>6' X 50'(Q)</del>	<del>3-6-3</del>	<del>797.2</del>	<del>2.1</del>
<del>8. WB RT CD</del>	<del>4</del>	<del>6' X 50'(Q)</del>	<del>3-6-3</del>	<del>799.4</del>	<del>2.2</del>
<del>9. SB CCO A</del>	<del>6</del>	<del>6' X 6'</del>	<del>6</del>	<del>336.0</del>	<del>2.3</del>
<del>10. SB CCO B</del>	<del>6</del>	<del>6' X 6'</del>	<del>5</del>	<del>249.1</del>	<del>2.2</del>
<del>11. SB LT CD</del>	<del>1</del>	<del>6' X 50'(Q)</del>	<del>3-6-3</del>	<del>814.6</del>	<del>2.5</del>
<del>12. SB THRU A CD</del>	<del>6</del>	<del>6' X 50'(Q)</del>	<del>3-6-3</del>	<del>813.1</del>	<del>2.5</del>
<del>13. SB THRU B CD</del>	<del>6</del>	<del>6' X 50'(Q)</del>	<del>3-6-3</del>	<del>811.7</del>	<del>2.4</del>

THE ABOVE VALUES ARE CALCULATED OF COMBINED LOOP AND LEAD-IN INDUCTANCE AND RESISTANCE. ACTUAL MEASURED VALUES SHOULD BE WITHIN +/- 20% OF THESE VALUES.

Q=QUADRAPOLE  
 \* =SEE "DETAIL A"

MODEL: Default  
 FILE NAME: p:\planroom\dot\illinois.gov\p\w\dot\Documents\DOT Offices\District 8\Projects\0876N88\CADD\data\CAD\sheet\0876N88-sh1.tbl

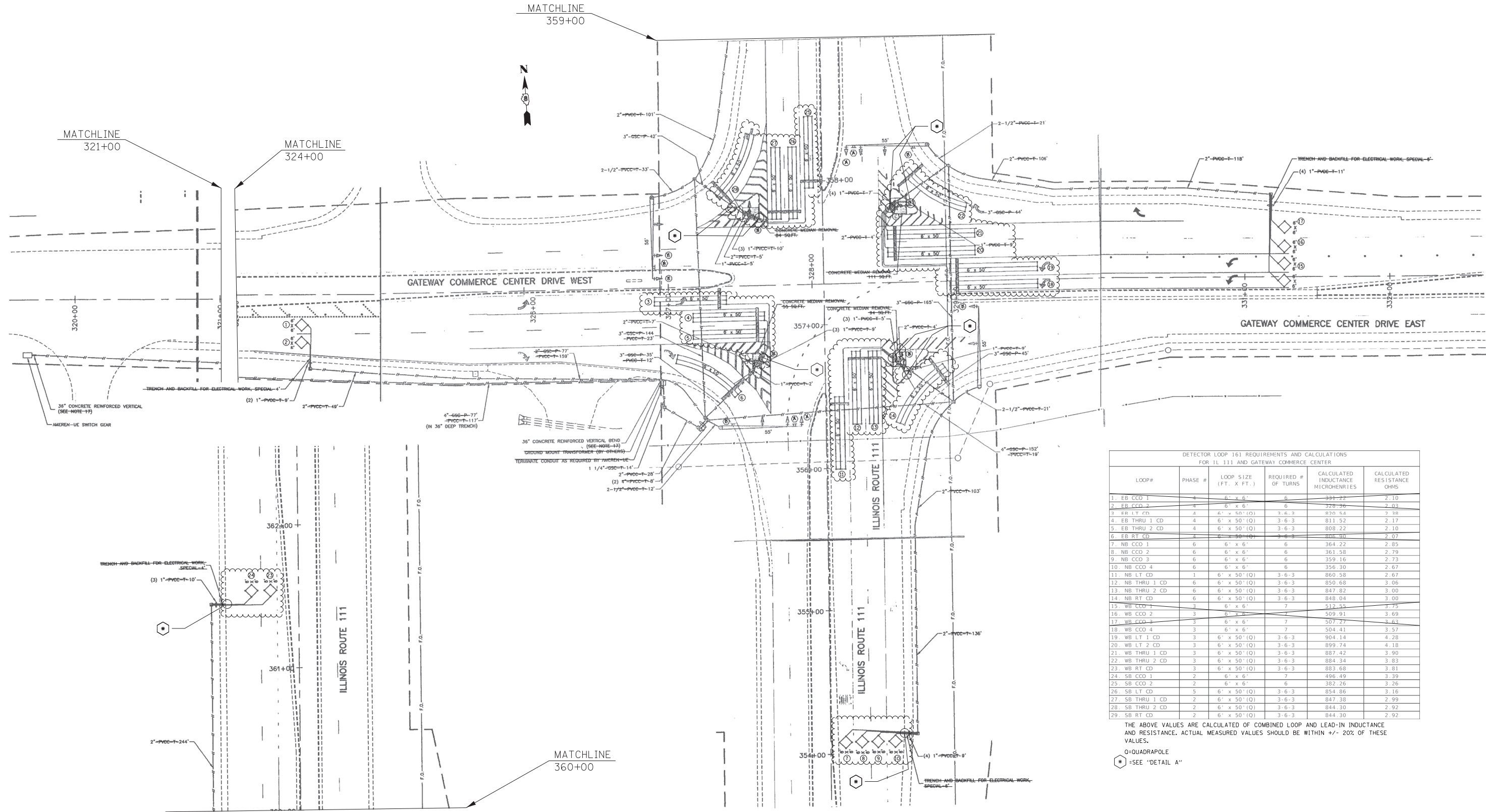
USER NAME = prestonme	DESIGNED -	REVISED -
PLOT SCALE = 47.8275' / in.	DRAWN -	REVISED -
PLOT DATE = 8/5/2020	CHECKED -	REVISED -
	DATE -	REVISED -

STATE OF ILLINOIS  
 DEPARTMENT OF TRANSPORTATION

DETECTOR LOOP REPLACEMENT PLAN  
 US 67 AND TOLLE LN.

SCALE: NTS SHEET OF SHEETS STA. TO STA.

F.A.P. RTE.	SECTION	COUNTY	TOTAL SHEETS	SHEET NO.
VAR.	DIST 8 PATCHING 2021-2	*	14	13
*MADISON AND ST. CLAIR		CONTRACT NO. 76N88		
ILLINOIS FED. AID PROJECT				



DETECTOR LOOP 161 REQUIREMENTS AND CALCULATIONS FOR IL 111 AND GATEWAY COMMERCE CENTER

LOOP#	PHASE #	LOOP SIZE (FT. X FT.)	REQUIRED # OF TURNS	CALCULATED INDUCTANCE MICROHENRIES	CALCULATED RESISTANCE OHMS
1. EB CCO 1	4	6' x 6'	6	331.22	2.10
2. EB CCO 2	4	6' x 6'	6	328.36	2.03
3. EB LT 1 CD	4	6' x 50' (O)	3-6-3	930.84	3.38
4. EB THRU 1 CD	4	6' x 50' (O)	3-6-3	811.52	2.17
5. EB THRU 2 CD	4	6' x 50' (O)	3-6-3	808.22	2.10
6. EB RT CD	4	6' x 50' (O)	3-6-3	806.00	2.07
7. NB CCO 1	6	6' x 6'	6	364.22	2.85
8. NB CCO 2	6	6' x 6'	6	361.58	2.79
9. NB CCO 3	6	6' x 6'	6	359.16	2.73
10. NB CCO 4	6	6' x 6'	6	356.30	2.67
11. NB LT CD	1	6' x 50' (O)	3-6-3	860.58	2.67
12. NB THRU 1 CD	6	6' x 50' (O)	3-6-3	850.68	3.06
13. NB THRU 2 CD	6	6' x 50' (O)	3-6-3	847.82	3.00
14. NB RT CD	6	6' x 50' (O)	3-6-3	848.04	3.00
15. WB CCO 1	3	6' x 6'	7	513.55	3.75
16. WB CCO 2	3	6' x 6'	7	509.91	3.69
17. WB CCO 3	3	6' x 6'	7	507.27	3.63
18. WB CCO 4	3	6' x 6'	7	504.41	3.57
19. WB LT 1 CD	3	6' x 50' (O)	3-6-3	904.14	4.28
20. WB LT 2 CD	3	6' x 50' (O)	3-6-3	899.74	4.18
21. WB THRU 1 CD	3	6' x 50' (O)	3-6-3	887.42	3.90
22. WB THRU 2 CD	3	6' x 50' (O)	3-6-3	884.34	3.83
23. WB RT CD	3	6' x 50' (O)	3-6-3	883.68	3.81
24. SB CCO 1	2	6' x 6'	7	496.49	3.39
25. SB CCO 2	2	6' x 6'	6	382.26	3.26
26. SB LT CD	5	6' x 50' (O)	3-6-3	854.86	3.16
27. SB THRU 1 CD	2	6' x 50' (O)	3-6-3	847.38	2.99
28. SB THRU 2 CD	2	6' x 50' (O)	3-6-3	844.30	2.93
29. SB RT CD	2	6' x 50' (O)	3-6-3	844.30	2.92

THE ABOVE VALUES ARE CALCULATED OF COMBINED LOOP AND LEAD-IN INDUCTANCE AND RESISTANCE. ACTUAL MEASURED VALUES SHOULD BE WITHIN +/- 20% OF THESE VALUES.

○=QUADRAPOLE  
 \* =SEE 'DETAIL A'

MODEL: Default  
 FILE: \\nrc\p\pub\lansroom.d\illinois.gov\PIWDOT\Documents\DOT - Offices\District 8\Projects\ID76888\CADD\data\CAD\sheet\ID76888-sh1-esplan

USER NAME = prestonme	DESIGNED -	REVISED -
	DRAWN -	REVISED -
PLOT SCALE = 67.8766 ' / in.	CHECKED -	REVISED -
PLOT DATE = 8/5/2020	DATE -	REVISED -

**STATE OF ILLINOIS**  
**DEPARTMENT OF TRANSPORTATION**

<b>DETECTOR LOOP REPLACEMENT PLAN</b> <b>IL 111 AND GATEWAY COMMERCE CENTER</b>		F.A.P. RTE.	SECTION	COUNTY	TOTAL SHEETS	SHEET NO.
		VAR.	DIST 8 PATCHING 2021-2	*	14	14
SCALE: NTS		SHEET OF SHEETS STA. TO STA.		CONTRACT NO. 76N88		
				ILLINOIS FED. AID PROJECT		