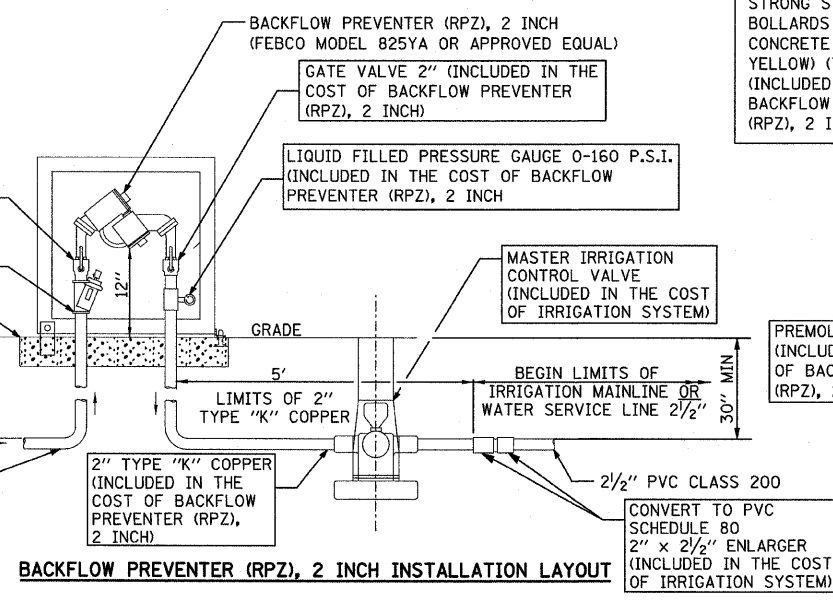
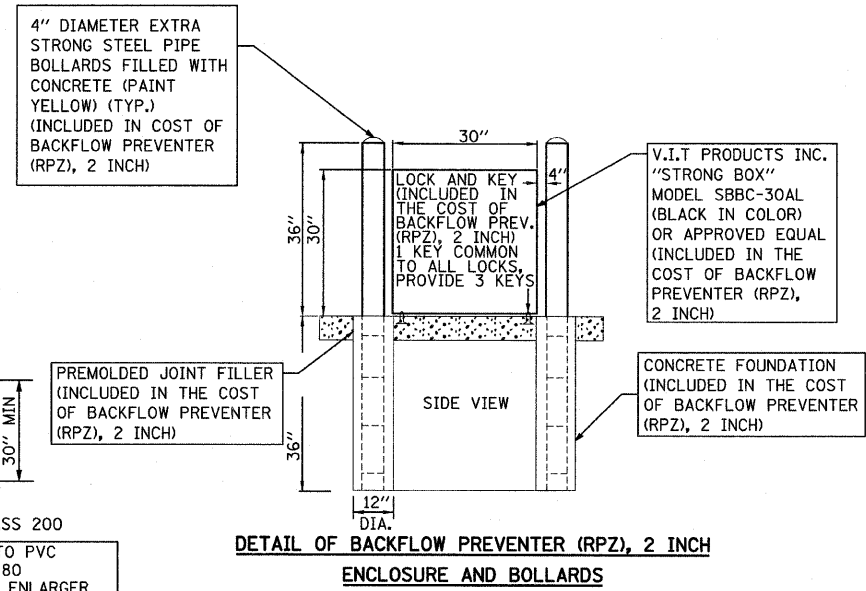


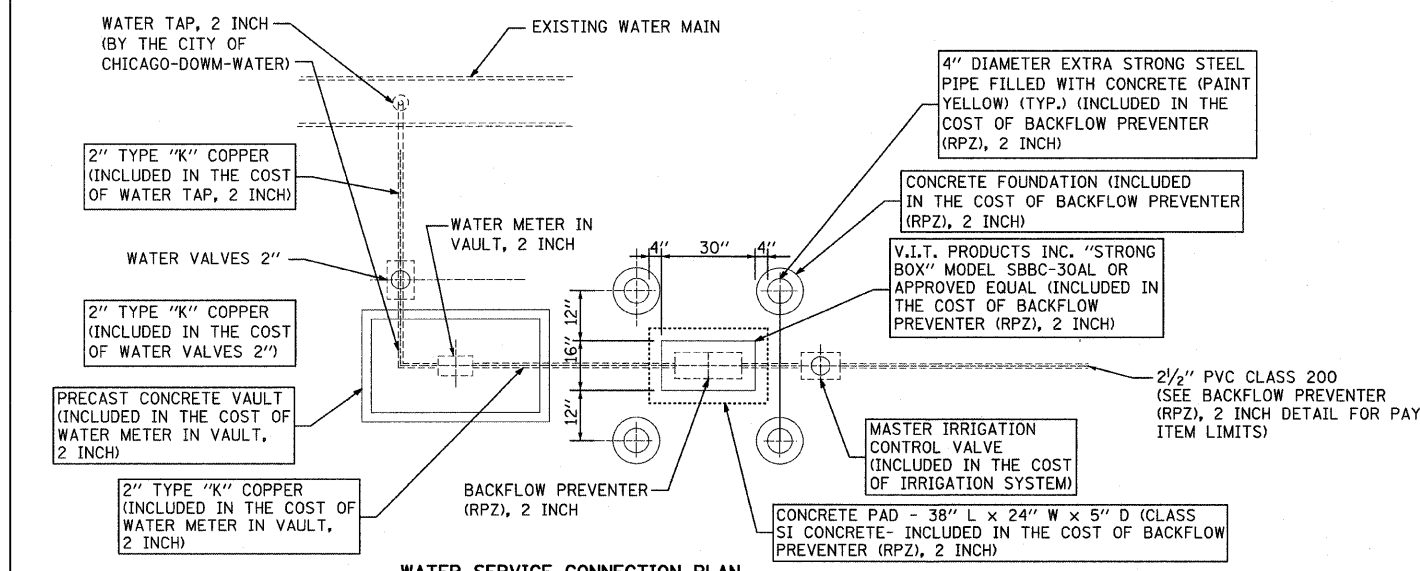
TYPICAL METER INSTALLATION FOR 2" WATER SERVICE WITH BACK FLOW PREVENTER (RPZ), 2 INCH



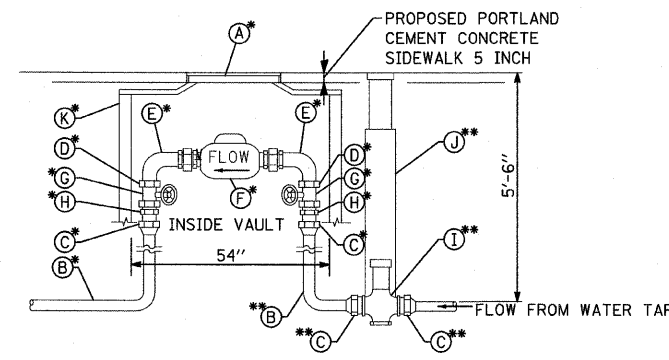
BACKFLOW PREVENTER (RPZ), 2 INCH INSTALLATION LAYOUT



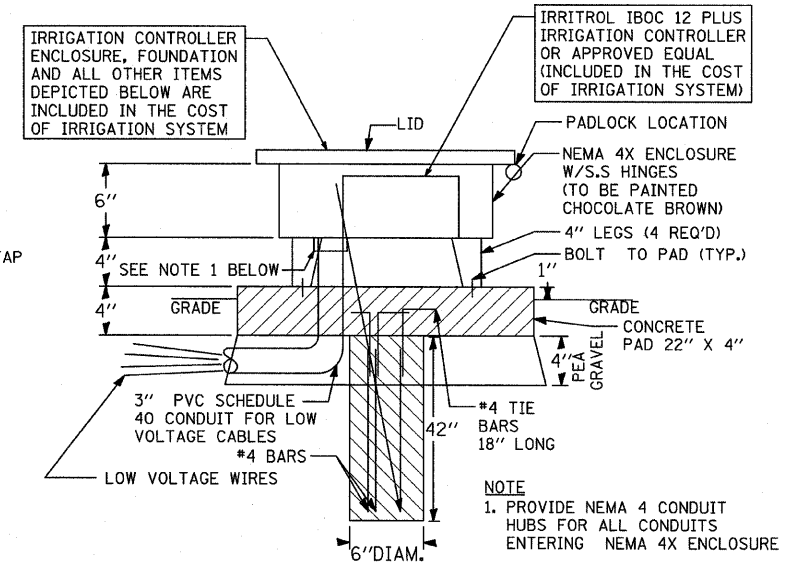
DETAIL OF BACKFLOW PREVENTER (RPZ), 2 INCH ENCLOSURE AND BOLLARDS



WATER SERVICE CONNECTION PLAN (TYPICAL EQUIPMENT LAYOUT PLAN)



NEW COPPER 2" WATER SERVICE STANDARD METER VAULT



IRRIGATION CONTROLLER NEMA 4X ENCLOSURE - DETAIL

TYLIN INTERNATIONAL

REVISIONS	
NAME	DATE

ILLINOIS DEPARTMENT OF TRANSPORTATION
 F.A.I. 94 (DAN RYAN EXPRESSWAY)
 GATEWAY AND CORNER GARDEN WATER SERVICE EQUIPMENT INSTALLATION, PAVEMENT REMOVAL AND REPLACEMENT DETAILS
 SHEET 1 OF 2
 SCALE: N.T.S. DRAWN BY: JDF
 DATE: JUNE 20, 2008 CHECKED BY: JPM

6/20/2008 10:27:22 AM P:\02373\road\222\vm222\013a.dgn