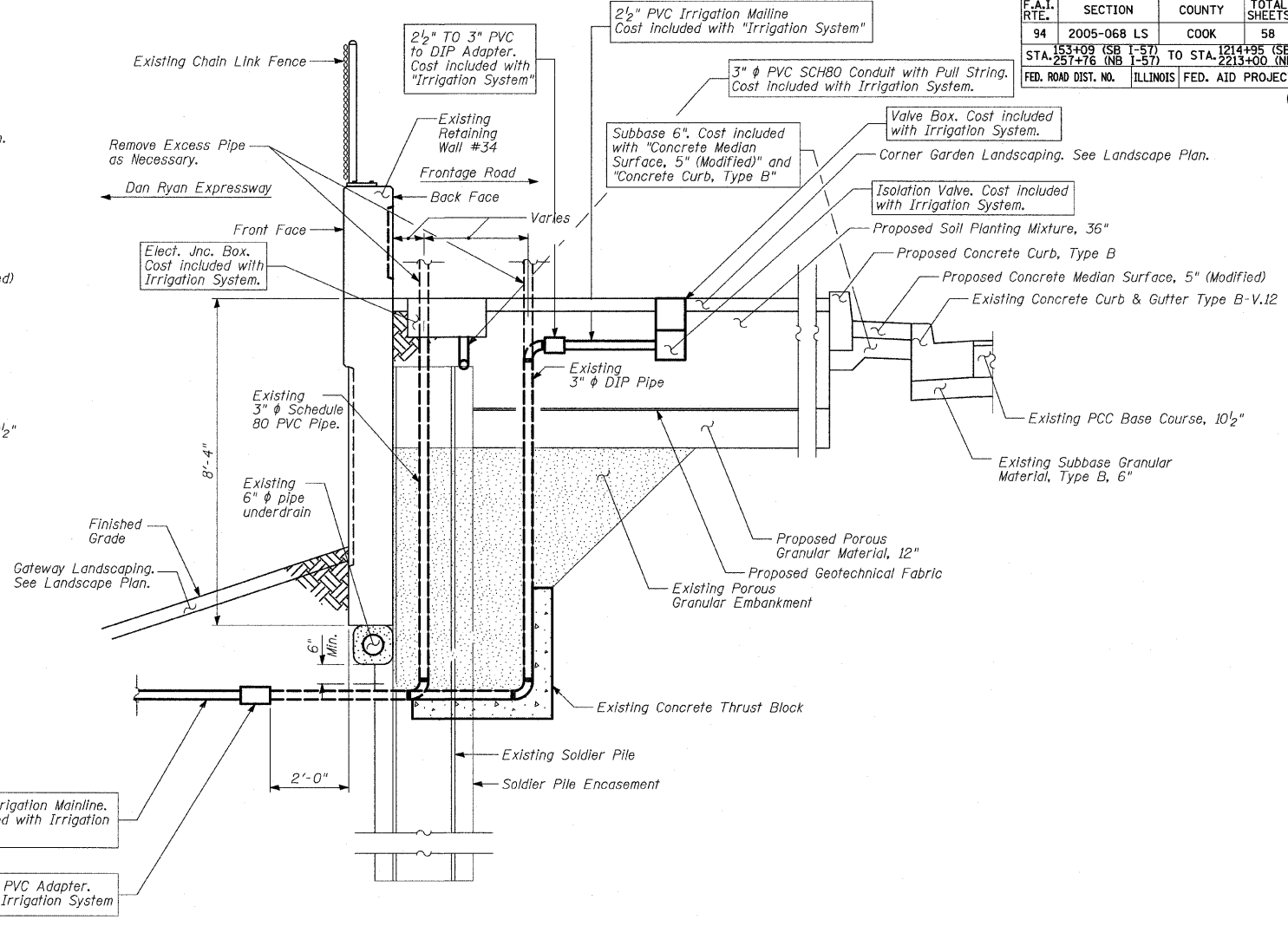
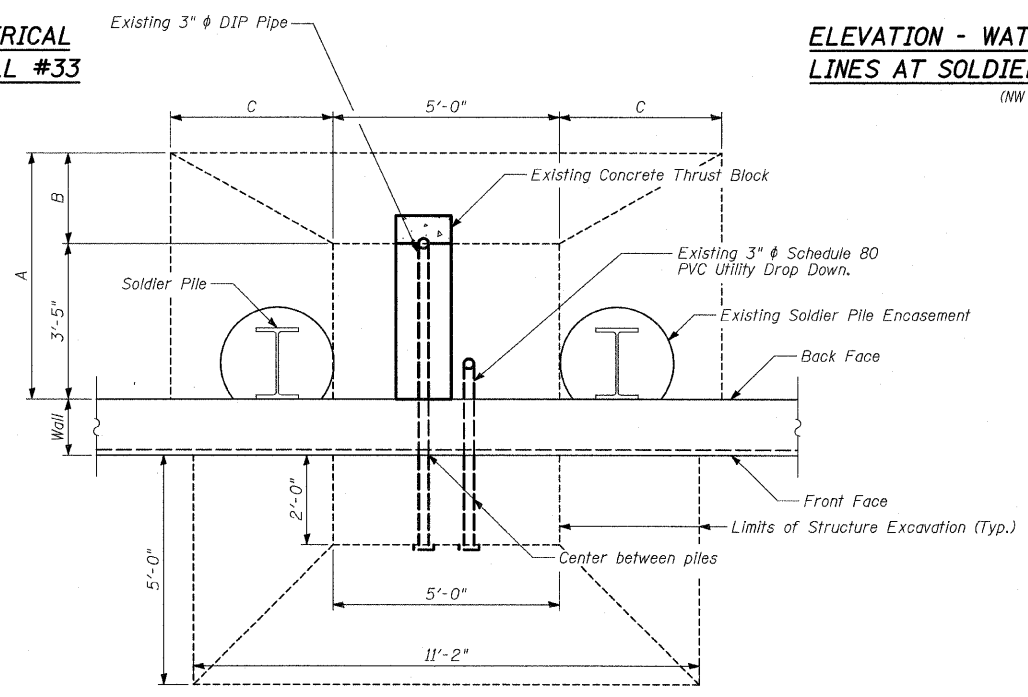


ELEVATION - WATER SERVICE & ELECTRICAL LINES AT SOLDIER PILE RETAINING WALL #33
(SW Corner Garden)



ELEVATION - WATER SERVICE & ELECTRICAL LINES AT SOLDIER PILE RETAINING WALL #34
(NW Corner Garden)



EXISTING PLAN - WATER SERVICE & ELECTRICAL LINES AT SOLDIER PILE RETAINING WALL
For Information Only

LEGEND

- Porous Granular Embankment
- Portland Cement Concrete

Wall	A	B	C
33	7'-10"	4'-5"	7'-8"
34	7'-9"	4'-3"	6'-9"

REVISIONS	
NAME	DATE

ILLINOIS DEPARTMENT OF TRANSPORTATION
F.A.I. 94 (DAN RYAN EXPRESSWAY)

GATEWAY AND CORNER GARDEN
UTILITY DROP DOWN DETAILS

SCALE: N.T.S. DRAWN BY: MAF
DATE: JUNE 20, 2008 CHECKED BY: DAK, TGB