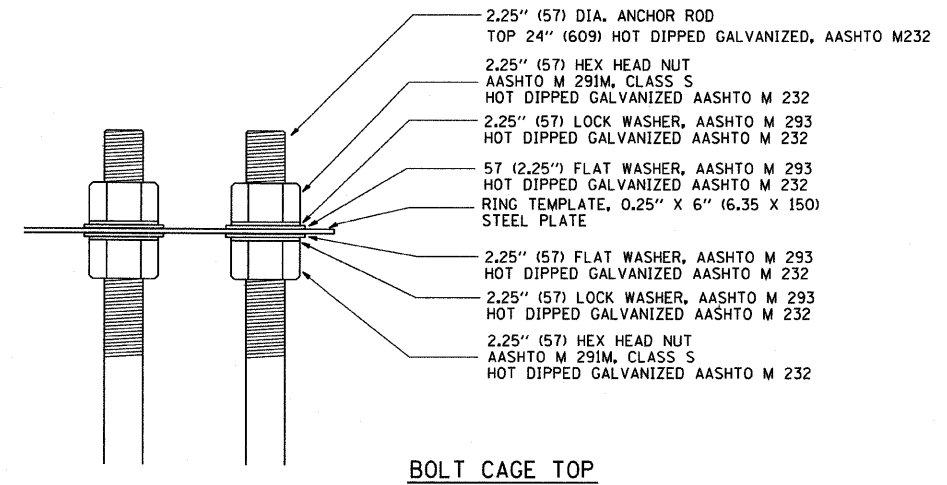
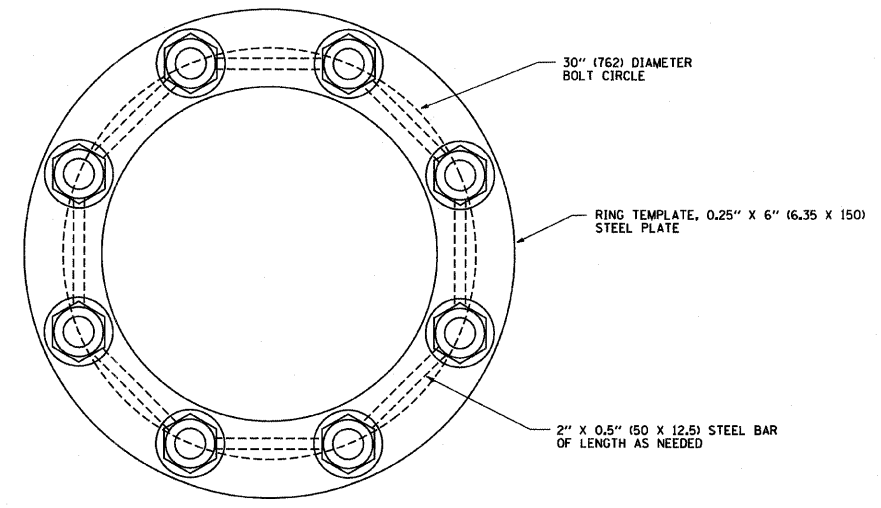


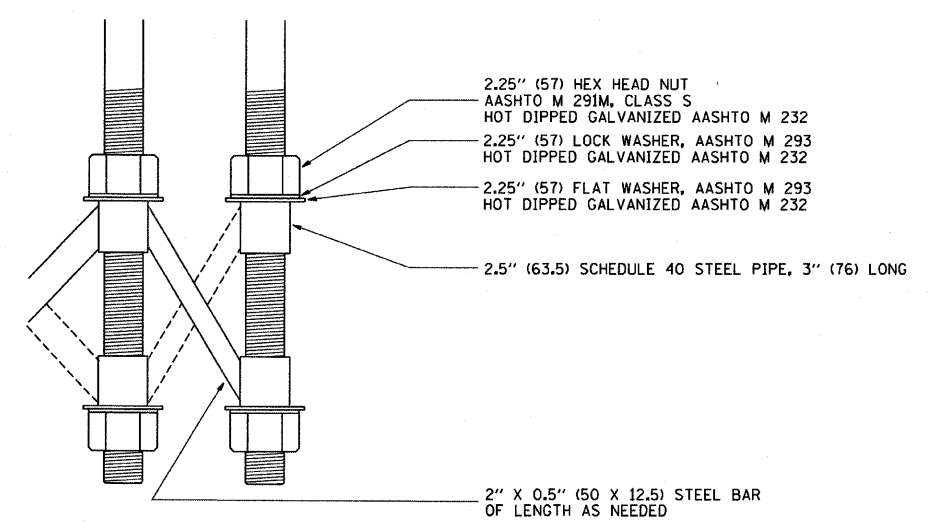
ANCHOR BOLT CAGE



BOLT CAGE TOP



SECTION A-A



BOLT CAGE BOTTOM

**NOTES**

1. ALL DIMENSIONS IN INCHES (MILLIMETERS) UNLESS OTHERWISE SHOWN
2. ANCHOR RODS SHALL BE STRAIGHT AND SHALL BE ACCORDING TO AASHTO M 314 OR ASTM F1554, GRADE 725 (GRADE 105) AND GALVANIZED ACCORDING TO ARTICLE 1006.09.
3. ANCHOR ROD INFORMATION SHALL BE SUBMITTED FOR APPROVAL AND SHALL BE FULLY COORDINATED WITH TOWER MANUFACTURERS REQUIREMENTS.

**FOR INFORMATION ONLY**

FILE NAME = W:\diststd\22x34\be501.dgn	USER NAME = gaglianobt	DESIGNED - DRAWN -	REVISED - R, TOMSONS 04-22-02 REVISED -	<b>STATE OF ILLINOIS DEPARTMENT OF TRANSPORTATION</b>	<b>HIGH MAST LIGHT TOWER 90 FT TO 120 FT (27 m TO 36 m) FOUNDATION DETAIL</b>			F.A. RTE. 94	SECTION 2005-069 LS	COUNTY Cook	TOTAL SHEETS 60	SHEET NO. 55
	PLOT SCALE = 50,000 / IN.	CHECKED -	REVISED -		SCALE: NONE	SHEET NO. 2 OF 2	SHEETS	STA.	TO STA.	CONTRACT NO. 60A75		
	PLOT DATE = 1/4/2008	DATE -	REVISED -					FED. ROAD DIST. NO. 1 ILLINOIS FED. AID PROJECT				