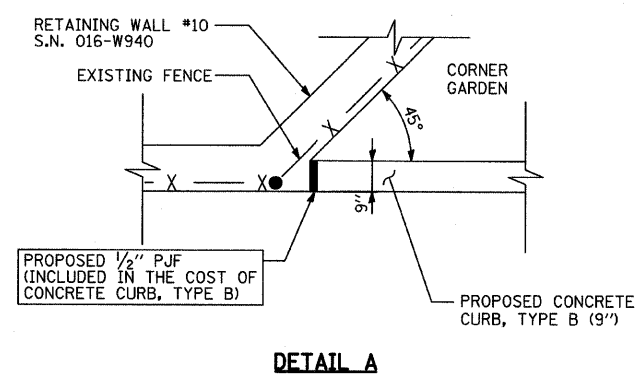
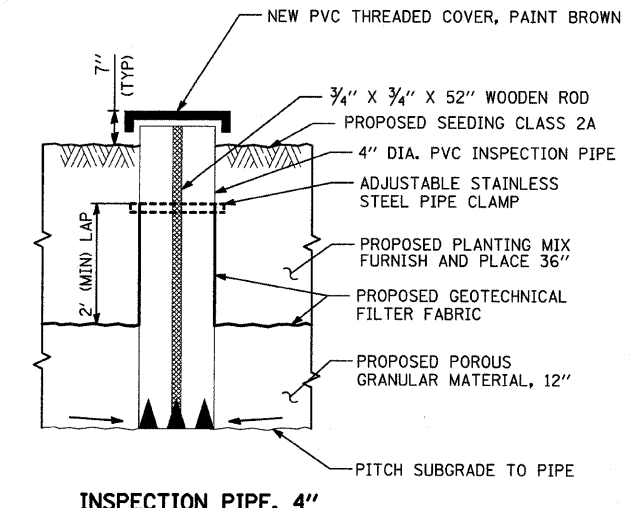


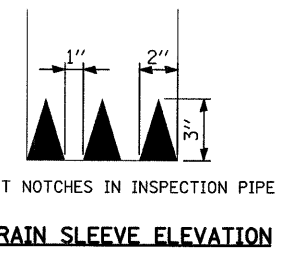
SE CORNER GARDEN AT 79TH STREET



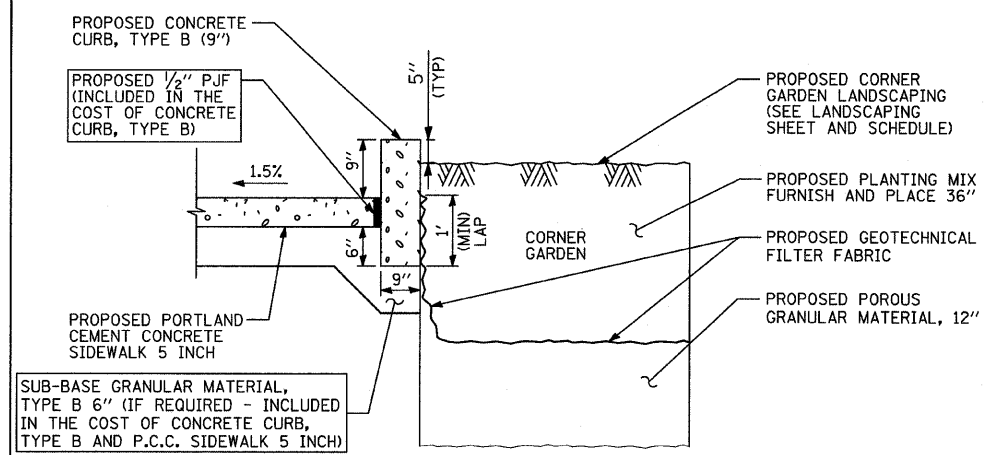
DETAIL A



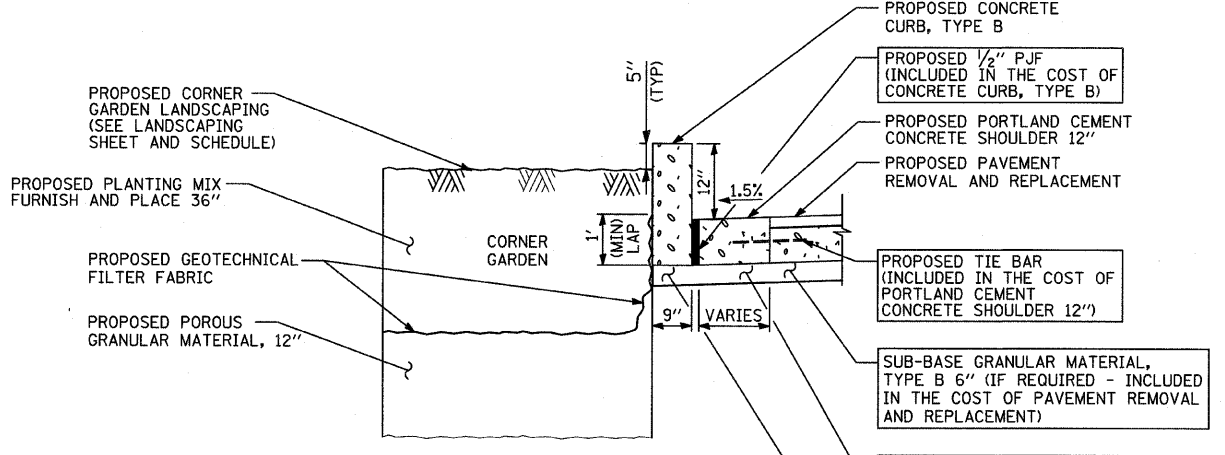
INSPECTION PIPE, 4"



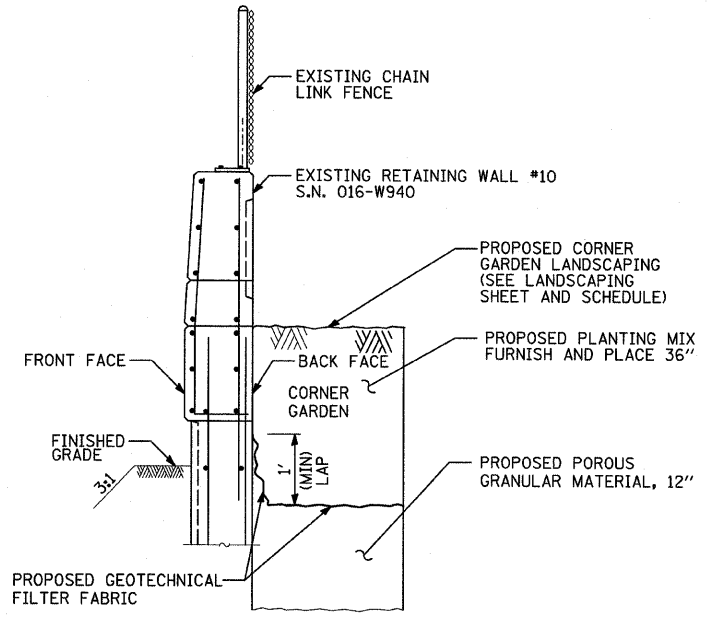
DRAIN SLEEVE ELEVATION



SECTION A-A



SECTION B-B



SECTION C-C

TYLIN INTERNATIONAL

REVISIONS	
NAME	DATE

ILLINOIS DEPARTMENT OF TRANSPORTATION
F.A.I. 94 (DAN RYAN EXPRESSWAY)

**SE CORNER GARDEN DETAIL
 AT 79th STREET AND STATE STREET**

SCALE: NOT TO SCALE DRAWN BY: JDF
 DATE: MAY 1, 2008 CHECKED BY: RTM

4/29/2008 6:05:57 PM