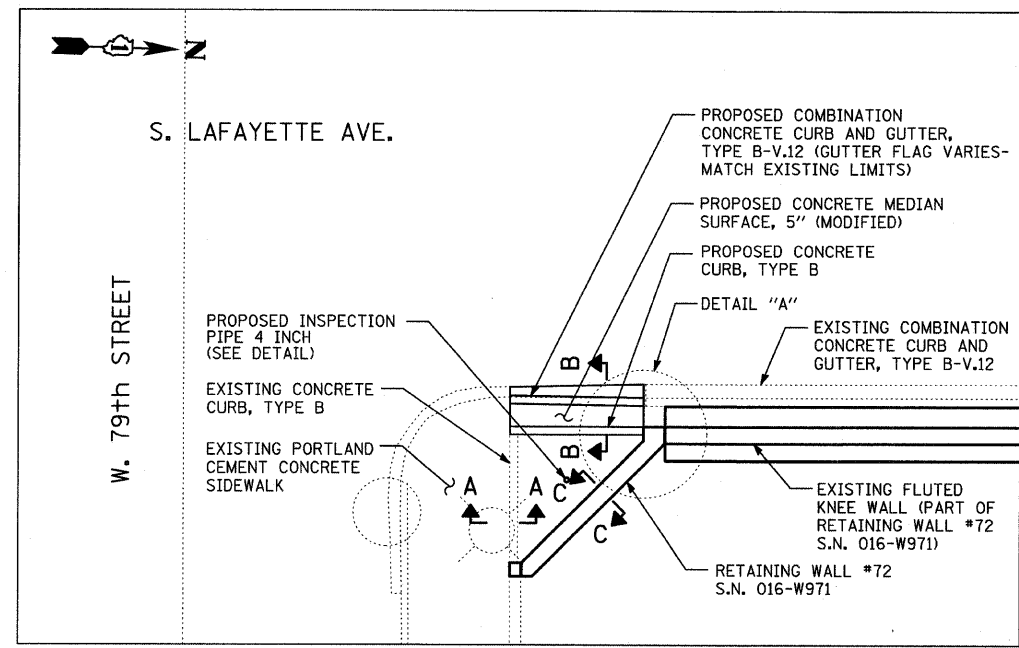
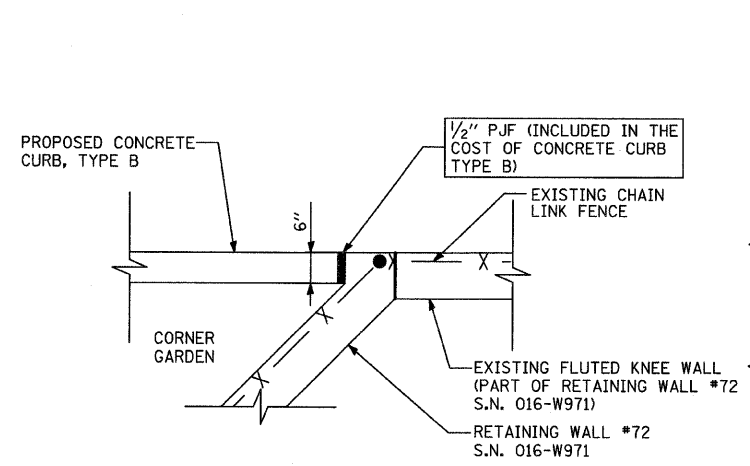


F.A.I. RTE.	SECTION	COUNTY	TOTAL SHEETS	SHEET NO.
94	2005-070 LS	COOK	65	41
STA. 1308+17 (SB 1-94) TO STA. 1318+61 (SB 1-94)		ILLINOIS FED. AID PROJECT		

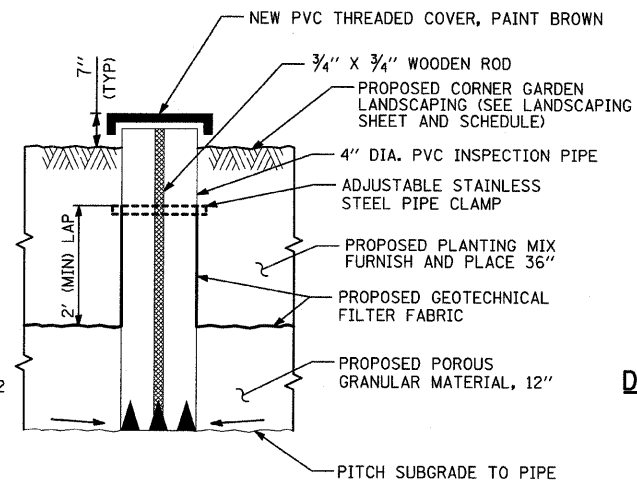
60A76



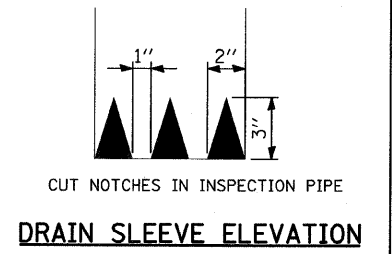
NW CORNER GARDEN AT 79th STREET



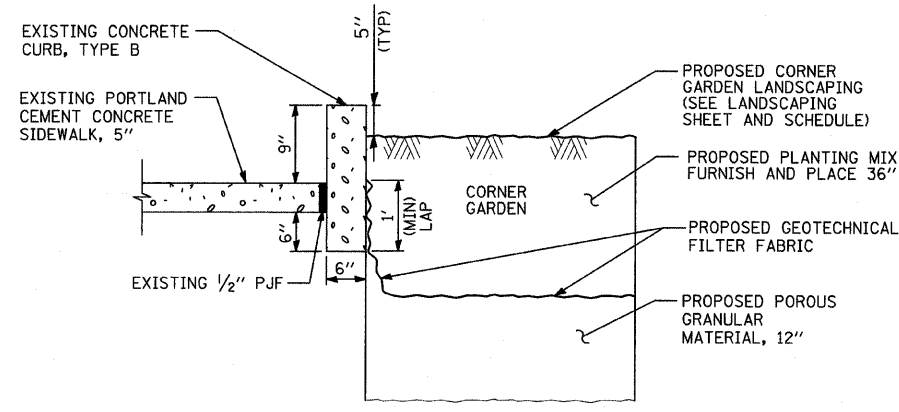
DETAIL A



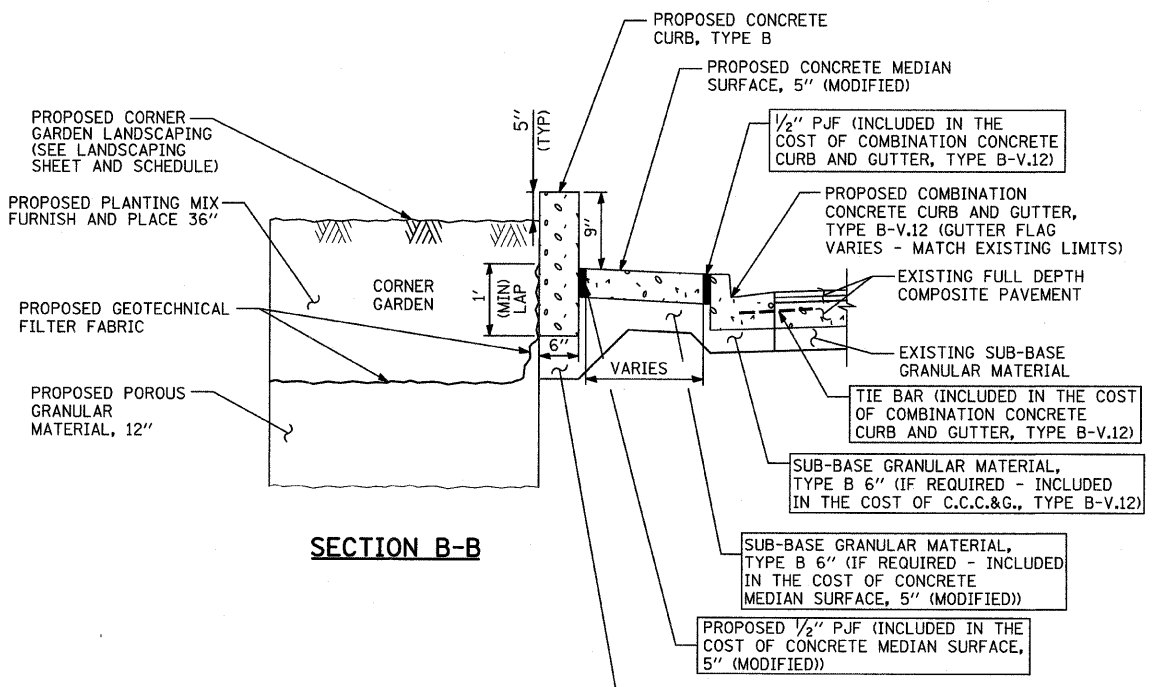
INSPECTION PIPE, 4"



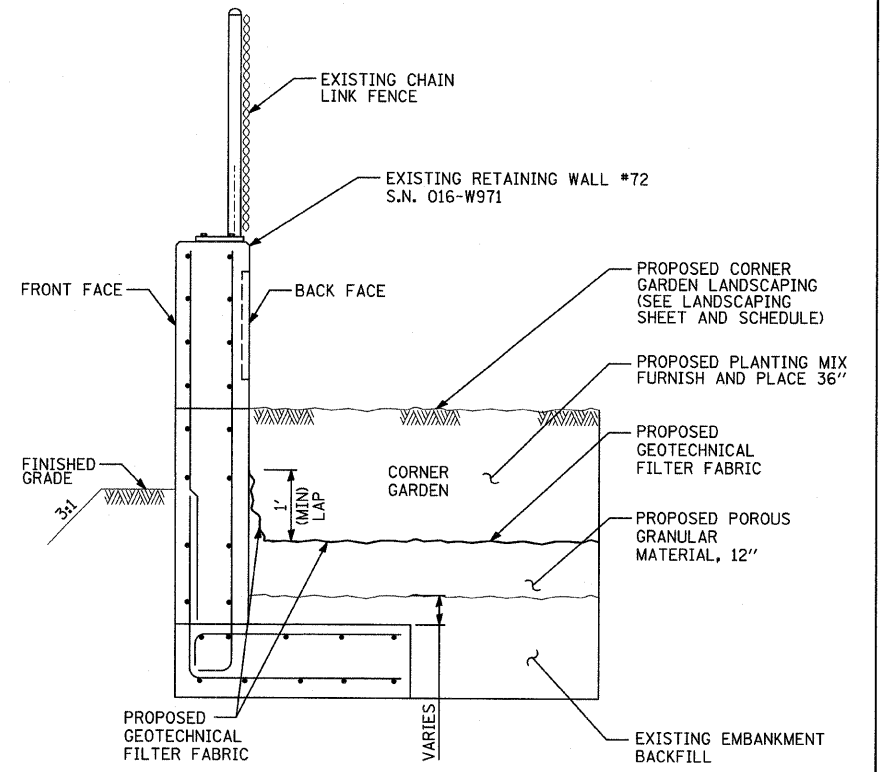
DRAIN SLEEVE ELEVATION



SECTION A-A



SECTION B-B



SECTION C-C

TYLIN INTERNATIONAL

REVISIONS	
NAME	DATE

ILLINOIS DEPARTMENT OF TRANSPORTATION
F.A.I. 94 (DAN RYAN EXPRESSWAY)
NW CORNER GARDEN DETAIL
AT 79th STREET AND LAFAYETTE AVENUE
 SCALE: NOT TO SCALE DRAWN BY: JDF
 DATE: MAY 1, 2008 CHECKED BY: RTM

PA:02/27/08 road/c22/28/vm22/28/10.3/34/070
 4/29/2008 6:22:25 PM