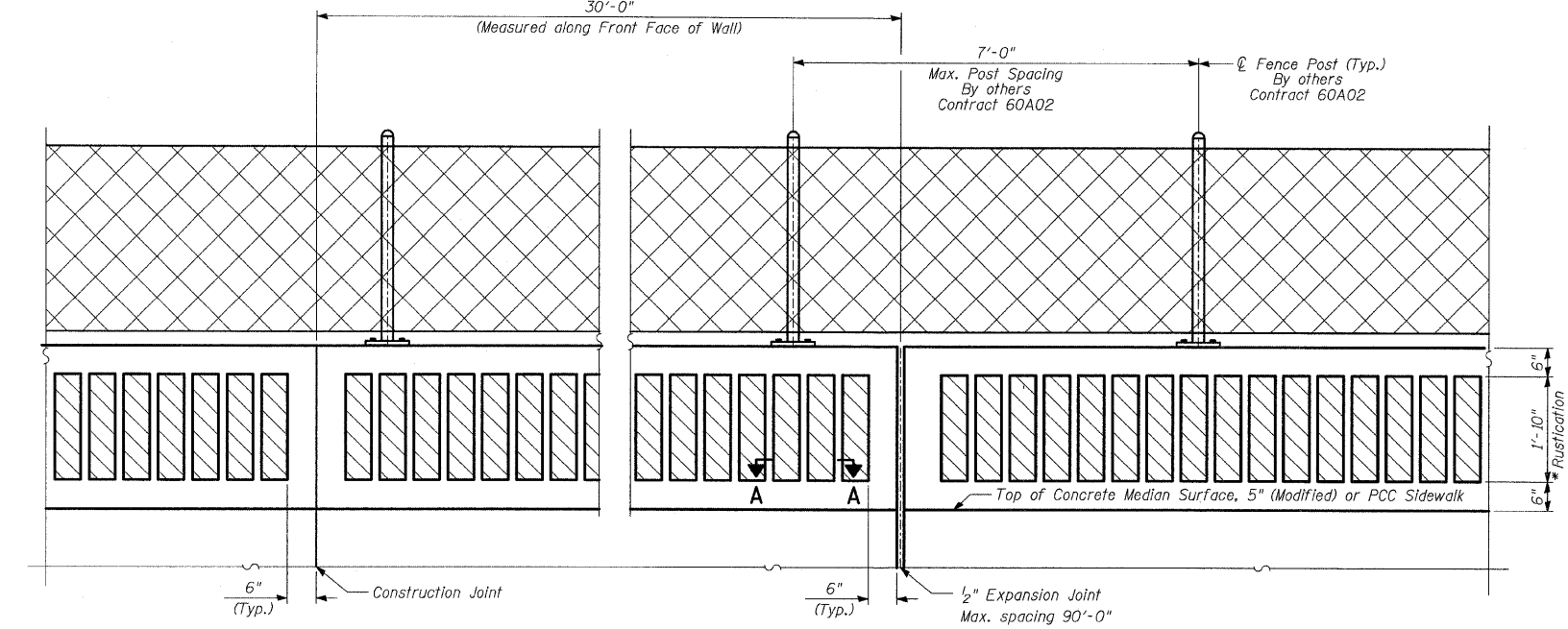
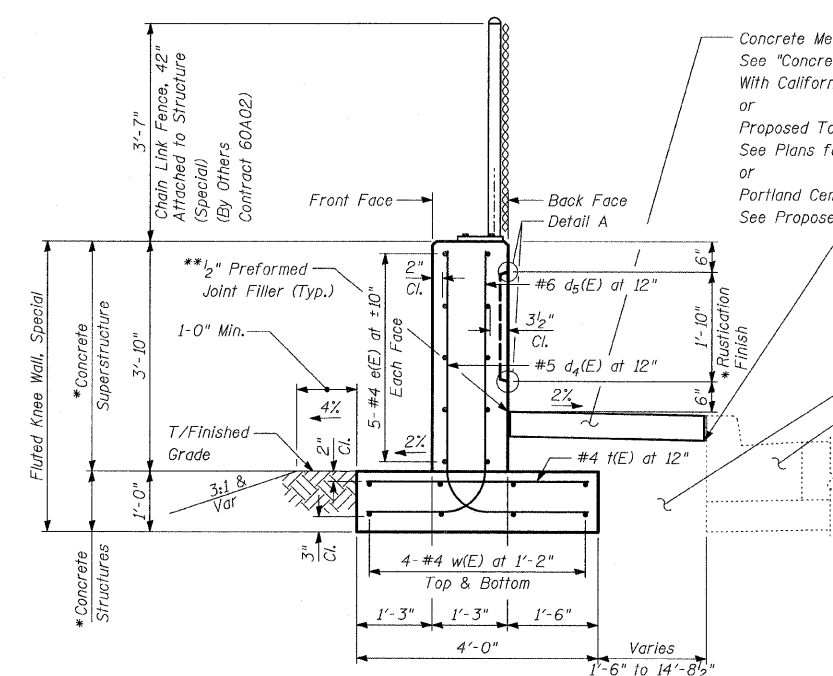


F.A.I. RTE.	SECTION	COUNTY	TOTAL SHEETS	SHEET NO.
94	2005-070 LS	COOK	65	47
	ST. 1308+46 (SB 1-94)		TO STA. 1316+90 (NB 1-94)	
FED. ROAD DIST. NO.	ILLINOIS	FED. AID PROJECT		

60A76



BACK FACE ELEVATION - FLUTED KNEE WALL, SPECIAL AND CHAIN LINK FENCE

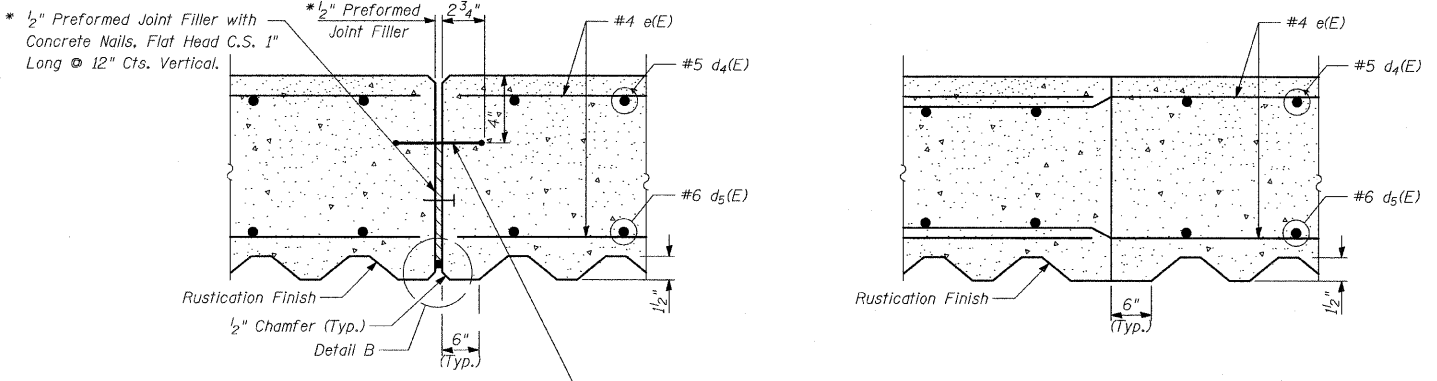


TYPICAL SECTION FLUTED KNEE WALL, SPECIAL

Sta. 1311+82.14 to Sta. 1312+06.96

NOTES:

1. Reinforcement Bar shall conform to the requirements of AASHTO M-31 or M-322 Grade 60.
2. Concrete: $f'c = 3500$ psi
3. Fluted Knee Wall shall be paid for per foot as "Fluted Knee Wall, Special" included in the cost of "Fluted Knee Wall, Special" shall be "Concrete Superstructures" stem, "Concrete Structures" foundation, reinforcement bars (epoxy coated), rustication finish, protective coat, expansion joint filler and sealing compound.
4. At Locations Where Fluted Knee Wall Abuts a Rigid Structure, a 1/2" Thick Preformed Expansion Joint Filler Conforming to the Shape of the Structure shall be Installed Between the Wall and the Structure. A 1/2" P.J.F. shall be installed where Fluted Knee Wall footing abuts curb and gutter. The cost shall be included in "Fluted Knee Wall, Special".
5. Quantities shown in "BILL OF MATERIAL" are for one (1) foot of "Fluted Knee Wall, Special".
6. Chain Link Fence, 42" Attached to Structure will not be paid for in this contract, but shall be furnished and installed by others in Contract 60A02.
7. Protective Coat shall be applied according to Section 503.19 of the Standard Specifications to all concrete surfaces not in contact with soil for the typical section of the fluted knee wall. The cost shall be included in "Fluted Knee Wall, Special"
8. All concrete edges shall be chamfered 3/4" except as noted.
9. All Expansion Joints shall be at Maximum spacing of 90' with construction joints at 30'.
10. All construction joints shall be banded.
11. The top of the footing shall be broom finished.
12. All required excavation shall be include with cost of "Earth Excavation".



EXPANSION JOINT DETAILS

CONSTRUCTION JOINT DETAILS

LAP SPLICES

Bar	Lap
#4	1'-8"
#5	2'-2"
#6	2'-7"

TYLIN INTERNATIONAL

SECTION A-A

DETAIL B

DETAIL A

BILL OF MATERIAL

QUANTITIES PER FOOT OF FLUTED KNEE WALL, SPECIAL		
ITEM	UNIT	TOTAL
Concrete Structures	CU YD	0.15
Concrete Superstructure	CU YD	0.18
Protective Coat	SQ YD	1.01
Rustication Finish	SQ FT	1.84
Reinforcement Bars, Epoxy Coated	POUND	31.8

* Cost included with "Fluted Knee Wall, Special."

** Cost included with "Concrete Median Surface, 5" (Modified)" or "Portland Cement Concrete Sidewalk, 5"

REVISIONS	
NAME	DATE
REVISD	09/19/08

ILLINOIS DEPARTMENT OF TRANSPORTATION
**F.A.I. 94 (DAN RYAN EXPRESSWAY)
 FLUTED KNEE WALL, SPECIAL ALONG
 LAFAYETTE AVE. AT 79TH ST.**
 STANDARD DETAILS
 (1 of 2)
 S.N. DESIGNED BY: MAF
 SCALE: N.T.S. DRAWN BY: MAF, TB
 DATE: MAY 1, 2008 CHECKED BY: MI

9/19/2008 2:58:42 P.M.