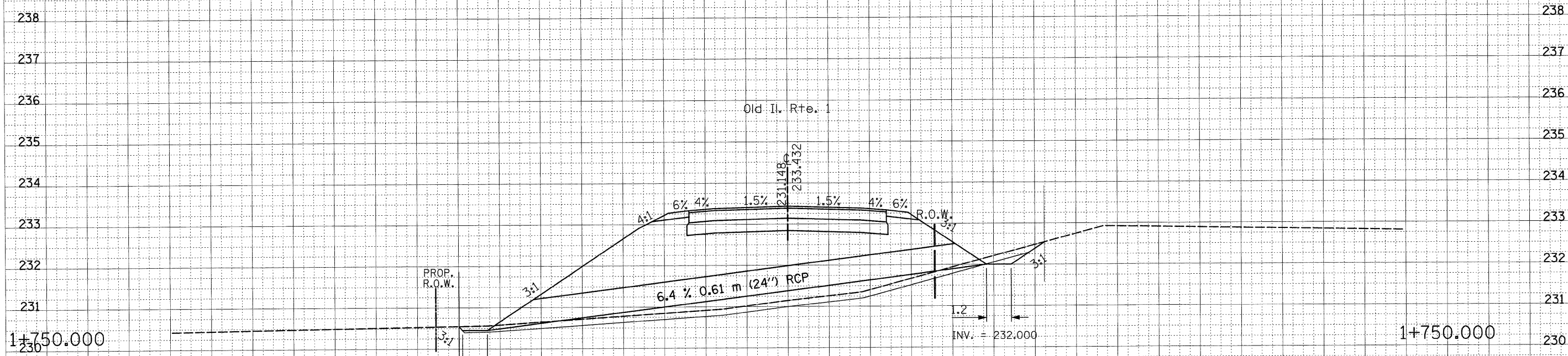
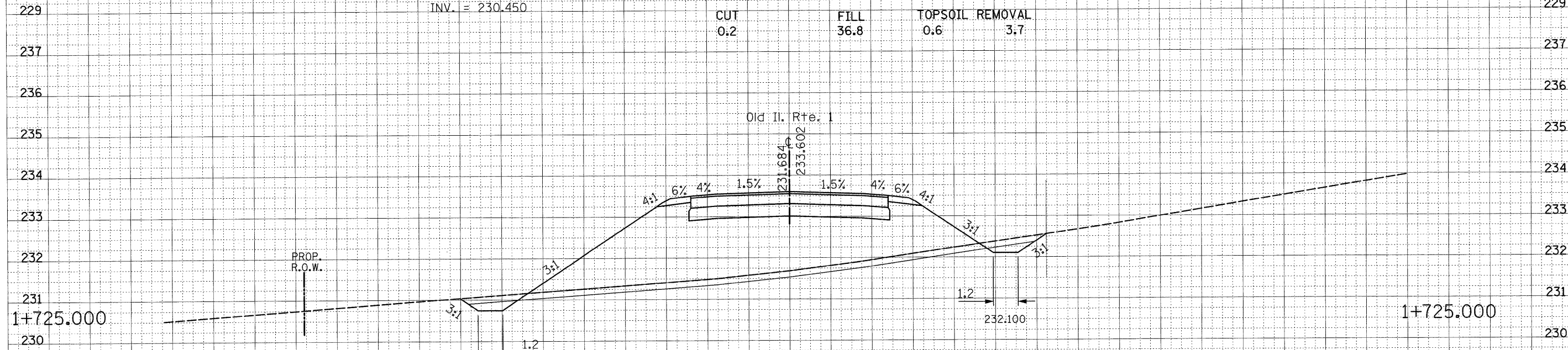


36 34 32 30 28 26 24 22 20 18 16 14 12 10 8 6 4 2 0 2 4 6 8 10 12 14 16 18 20 22 24 26 28 30 32 34 36

F.A.P. RTE.	SECTION	COUNTY	TOTAL SHEETS	SHEET NO.
876	9Y-BS-7	WILL	100	98
STA. 1+725		TO STA. 1+750		
FED. ROAD DIST. NO. 1 ILLINOIS FED. AID PROJECT				
CONTRACT NO. 60E52				



CUT	FILL	TOPSOIL REMOVAL
0.2	36.8	0.6
		3.7



CUT	FILL	TOPSOIL REMOVAL
0.7	28.1	0.8
		3.4

36 34 32 30 28 26 24 22 20 18 16 14 12 10 8 6 4 2 0 2 4 6 8 10 12 14 16 18 20 22 24 26 28 30 32 34 36

9/3/2008
 c:\projects\36602\vs_0d111_2.dgn
 jll/ckd