

ROUTE VARIOUS	SECTION 2008-052 BP	COUNTY VARIOUS	TOTAL SHEETS 19	SHEET NUMBER 12A
------------------	------------------------	-------------------	--------------------	---------------------

CONTRACT 60F03

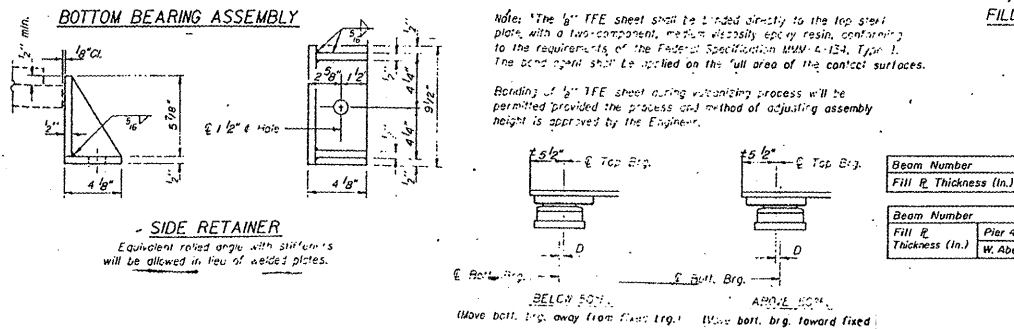
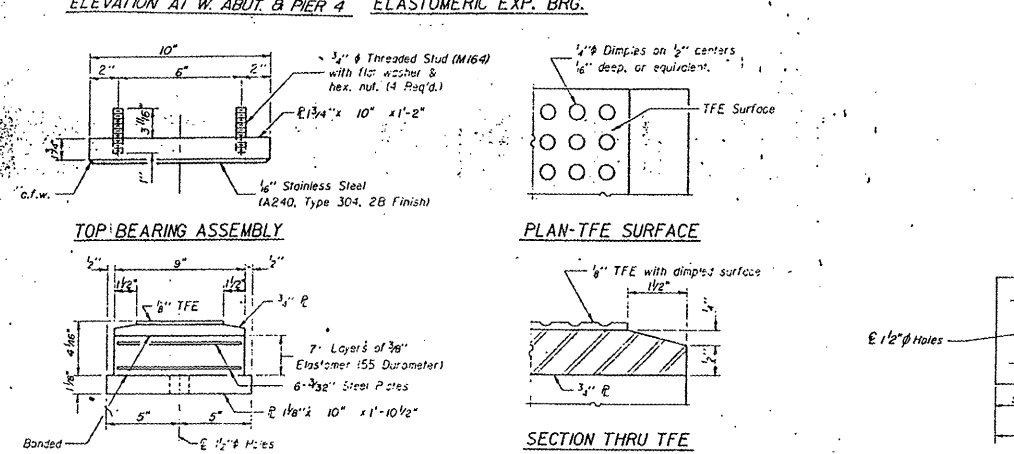
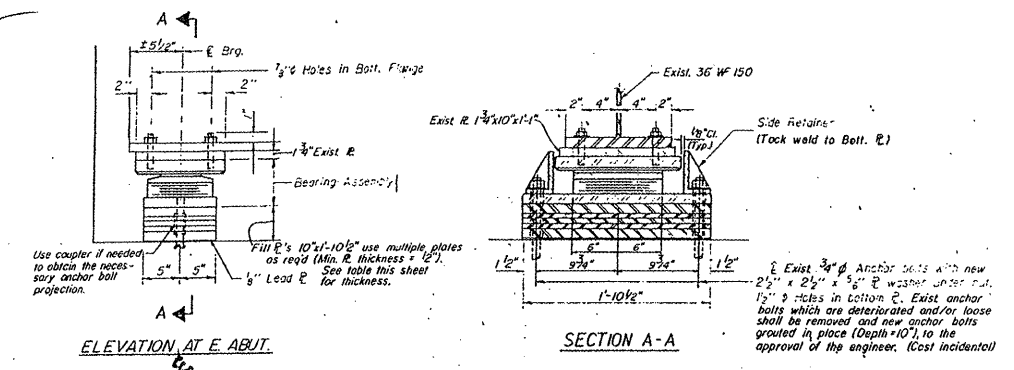


TABLE OF FILL R THICKNESSES

Beam Number	1	2	3	4	5	6	7	8	9	10
Fill R Thickness (in.)	1 3/16	1 3/16	1 3/16	2 3/16	2 3/8	2 3/8	1 9/16	1 3/8	1 1/2	1 9/16

TABLE OF FILL R THICKNESSES UNIT 2

Beam Number	1	2	3	4	5	6	7	8	9	10
Fill R Thickness (in.)	1 1/16	2 3/8	3 1/2	1 13/16	3	3	2 1/16	3 5/8	2 7/8	2 3/8

TABLE OF FILL R THICKNESSES UNIT 3

Beam Number	1	2	3	4	5	6	7	8	9	10
Fill R Thickness (in.)	2 3/16	2 3/8	3 3/8	1 13/16	2 3/8	2 7/8	1 13/16	3 1/4	2 3/8	1 13/16

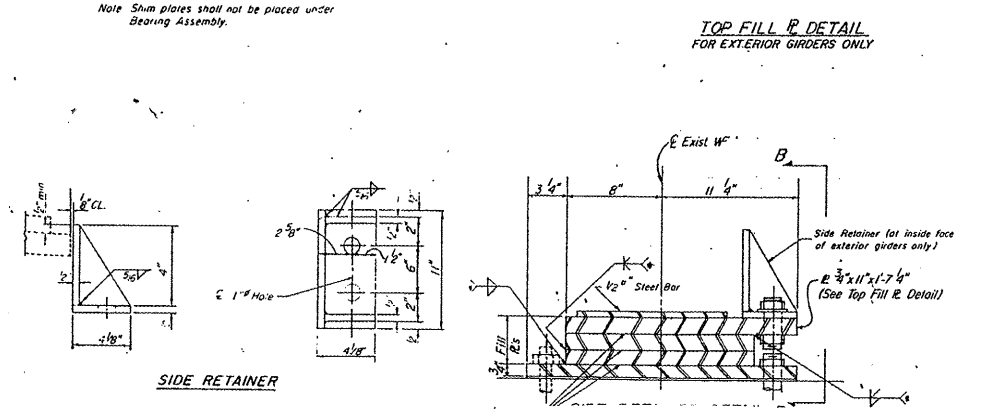
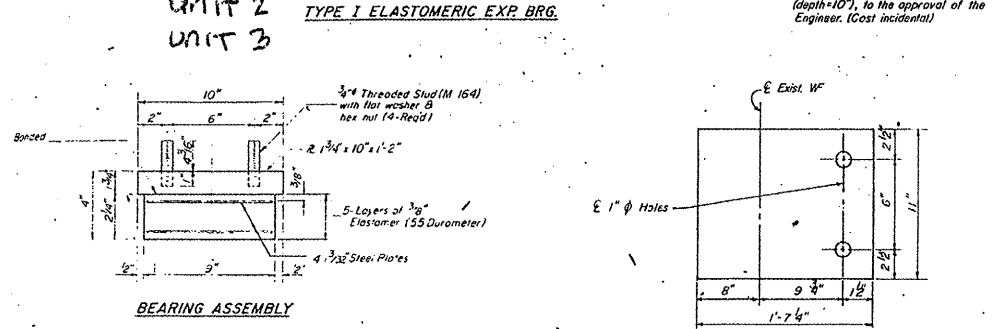
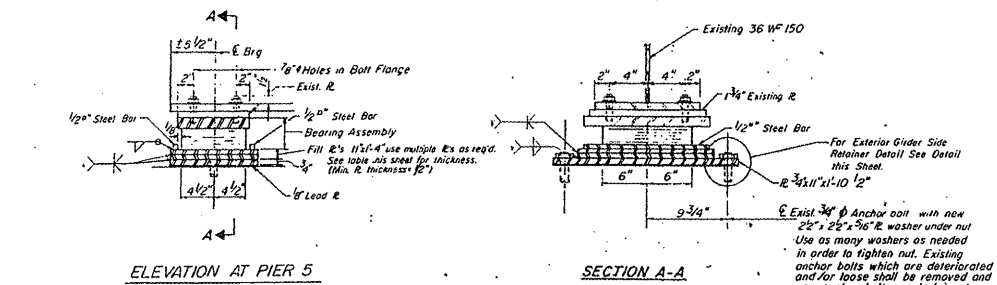


TABLE OF FILL R THICKNESSES UNIT 2

Beam Number	1	2	3	4	5	6	7	8	9	10
Fill R Thickness (in.)	3 3/4	4 3/8	4 9/8	3 3/8	4 3/8	4 3/8	3 1/4	4 1/8	4	3 3/8

TABLE OF FILL R THICKNESSES UNIT 3

Beam Number	1	2	3	4	5	6	7	8	9	10
Fill R Thickness (in.)	2 3/16	2 3/8	3 3/8	1 13/16	2 3/8	2 7/8	1 13/16	3 1/4	2 3/8	1 13/16

FOR INFORMATION ONLY

ILLINOIS DEPARTMENT OF TRANSPORTATION
EXISTING BRIDGE PLAN
 LOCATION 2, SN 045-0039