

CONTRACT 60F03

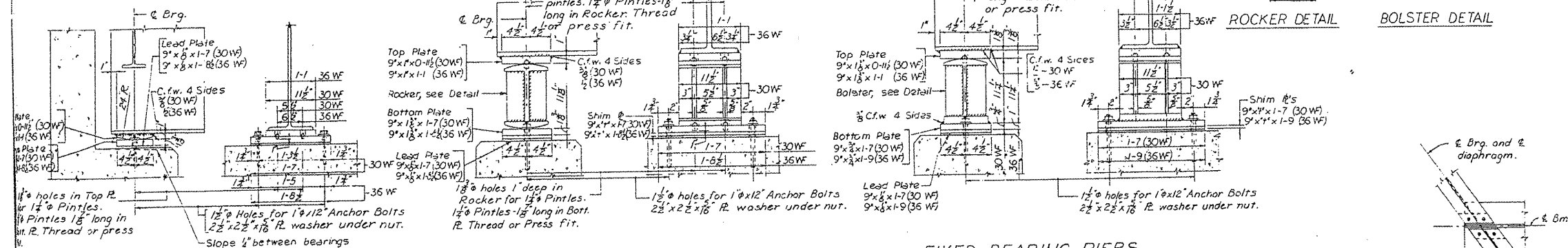
SECTION	COUNTY	TOTAL SHEETS	SHEET NO.
F.A.RI.42 3128-Z-HB-1	COOK	27	16
FED. ROAD DIV. NO. 1 ILLINOIS PROJECT			

PINTLE DETAIL

PLAN
FIXED BEARING AT ABUTMENTS
EXPANSION BEARING AT PIERS

PLAN
FIXED BEARING AT PIERS

ROCKER DETAIL
BOLSTER DETAIL



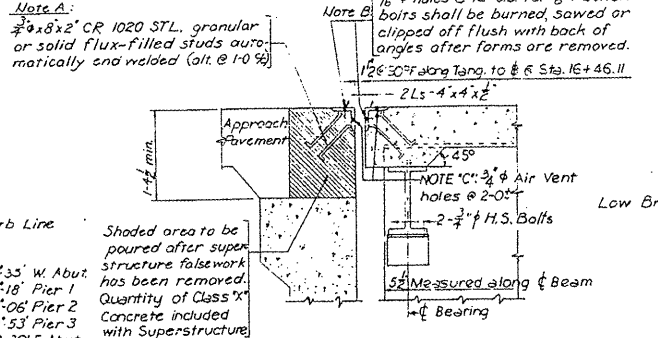
FIXED BEARING-ABUTMENTS

EXPANSION BEARING-PIERS

FIXED BEARING-PIERS

END DIAPHRAGMS 'D'

33 Alt. Spcs @ 1-0 = 33-0 each side	W. Abut.
36 Alt. Spcs @ 1-0 = 36-0 each side	Pier 1
40 Alt. Spcs @ 1-0 = 40-0 each side	Pier 2
48 Alt. Spcs @ 1-0 = 48-0 each side	Pier 3
61 Alt. Spcs @ 1-0 = 61-0 each side	E. Abut.
3-6 1/2	3-6 1/2



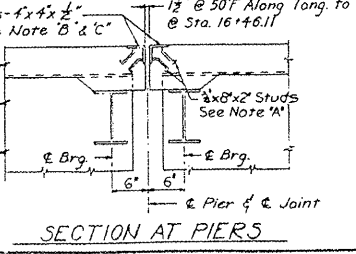
INTERMEDIATE DIAPHRAGMS 'D1' & 'D2'

Bearing For Beam	SHIM PLATE THICKNESS "t"						
	Span 1	Span 2	Span 3	Span 4			
	W. Abut.	Pier 1	Pier 2	Pier 2	Pier 3	Pier 3	E. Abut.
1	—	—	—	—	—	—	—
2	—	—	—	—	—	—	—
3	—	—	—	—	—	—	—
4	—	—	—	—	—	—	—
5	—	—	—	—	—	—	—

STATE OF ILLINOIS
DEPARTMENT OF PUBLIC WORKS & BLDGS.
DIVISION OF HIGHWAYS
BEARING AND STEEL DETAILS
RAMP "A" OVER SERVICE DRIVE AND
B. & O. C. T. R. R. FUTURE SPUR TRACK
STATION 16 + 46.11
F.A.RI.42 COOK CO. SECTION 3128-Z-HB-1
H. W. LOCHNER INC.
CONSULTING ENGINEERS
CHICAGO, ILLINOIS
SHEET 9 OF 16

PLAN OF EXPANSION GUARDS

SECTION THROUGH ABUTMENT



Drawn By: W.T.D.
Checked By: H.M.

FOR
INFORMATION
ONLY

SHEET 3 OF 3

ILLINOIS DEPARTMENT OF TRANSPORTATION

EXISTING BRIDGE PLAN
LOCATION 3, SN 016-1010