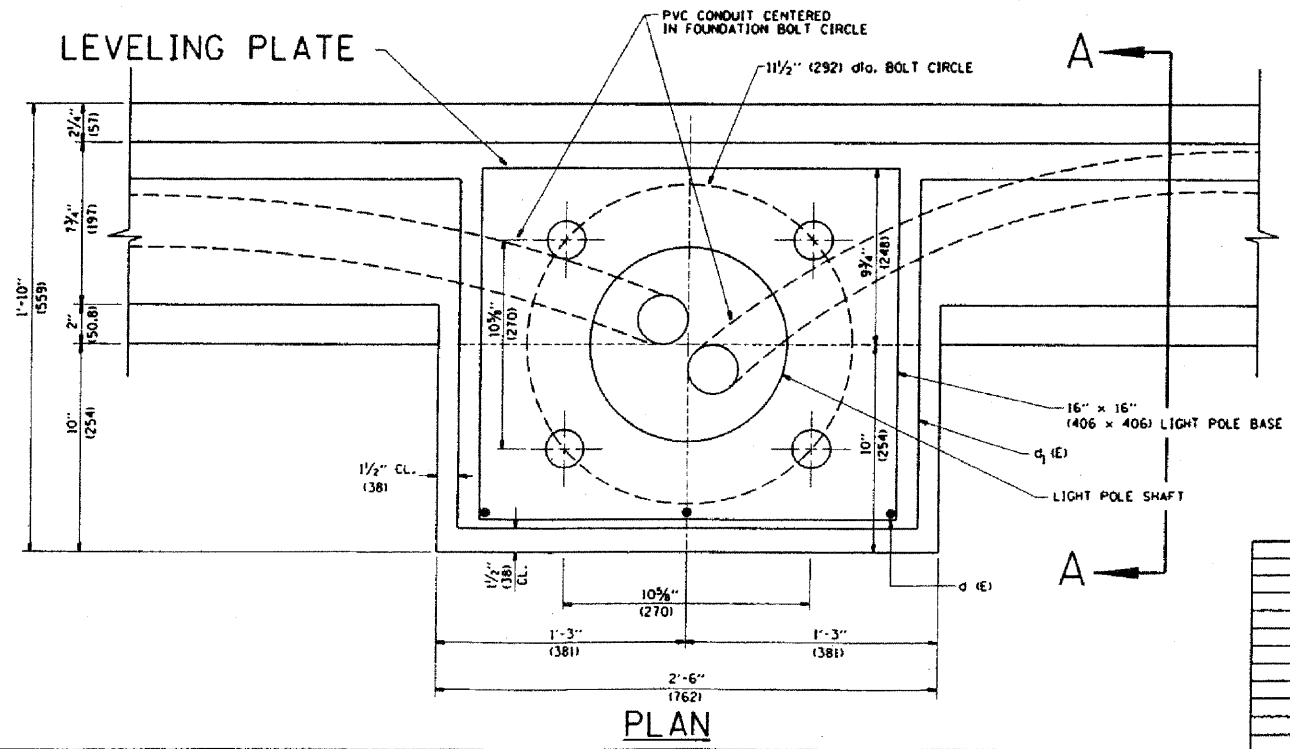
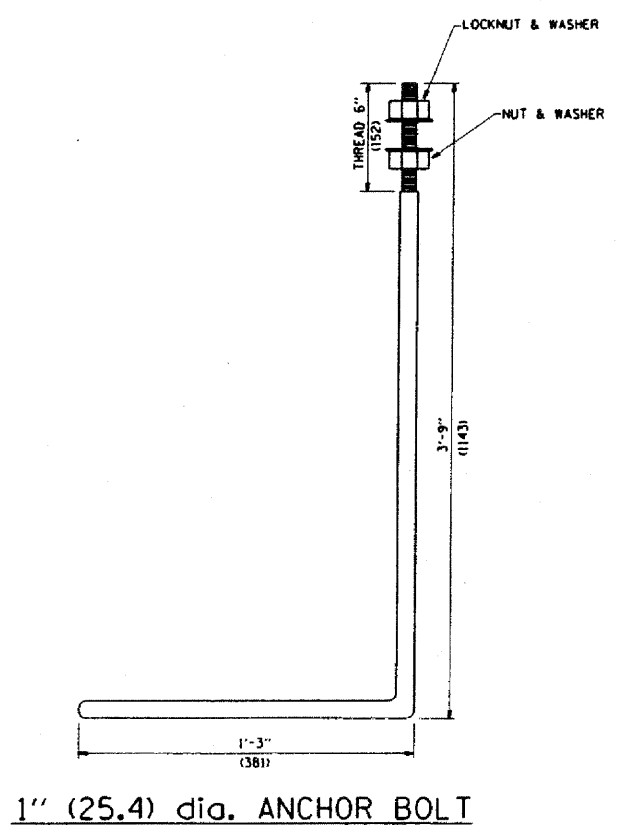
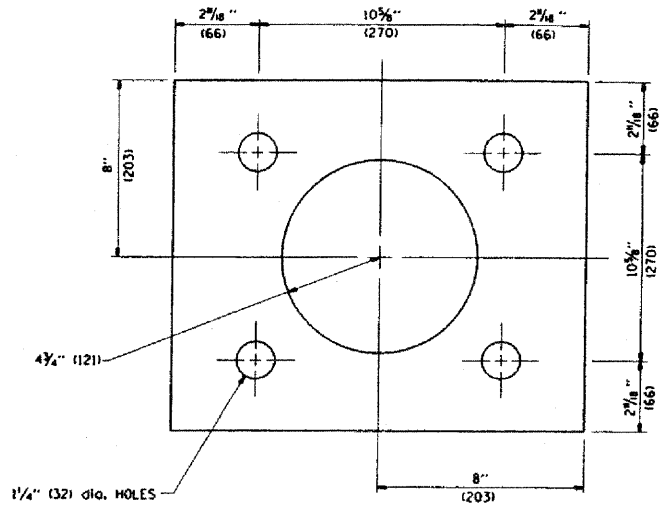
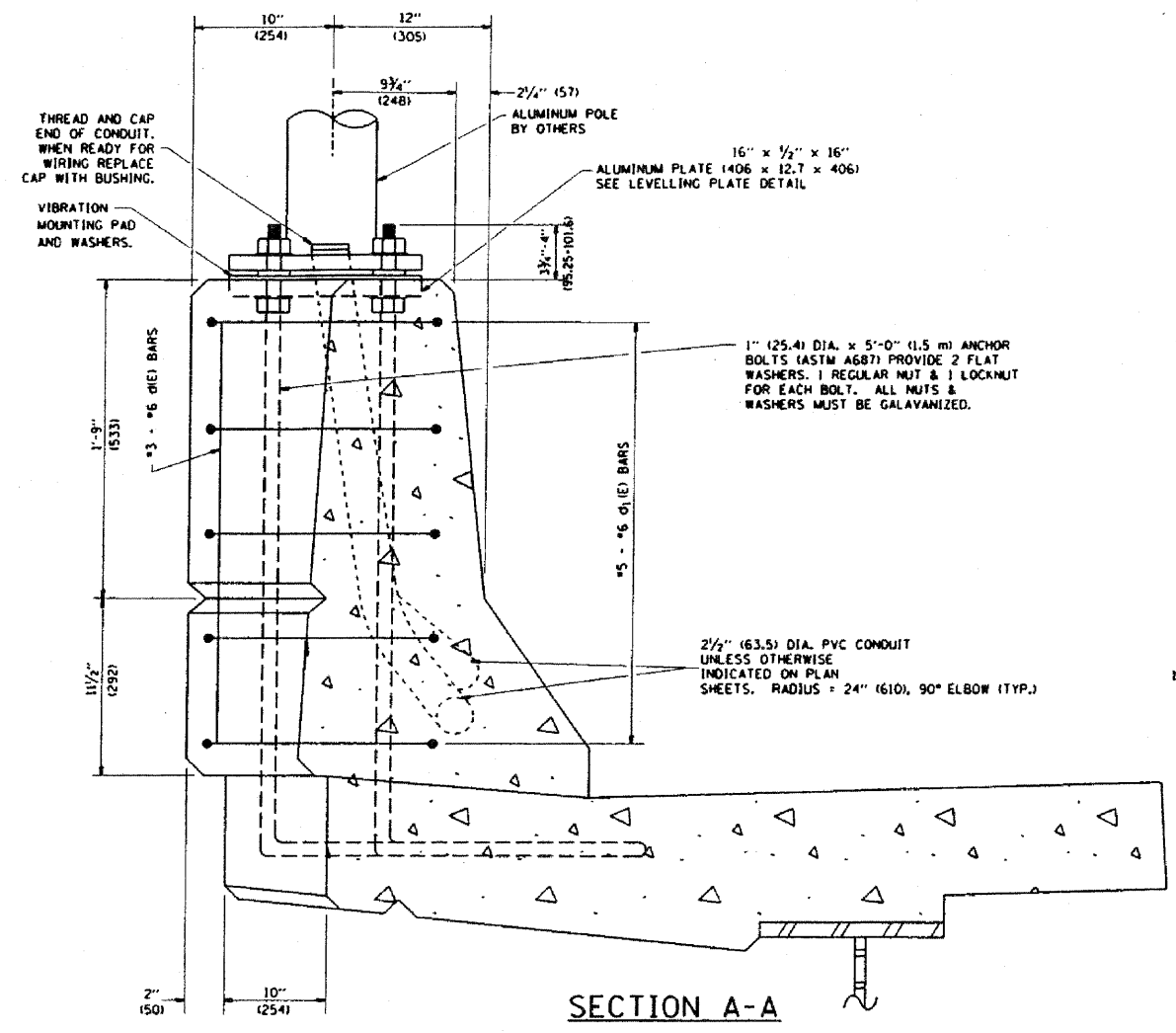
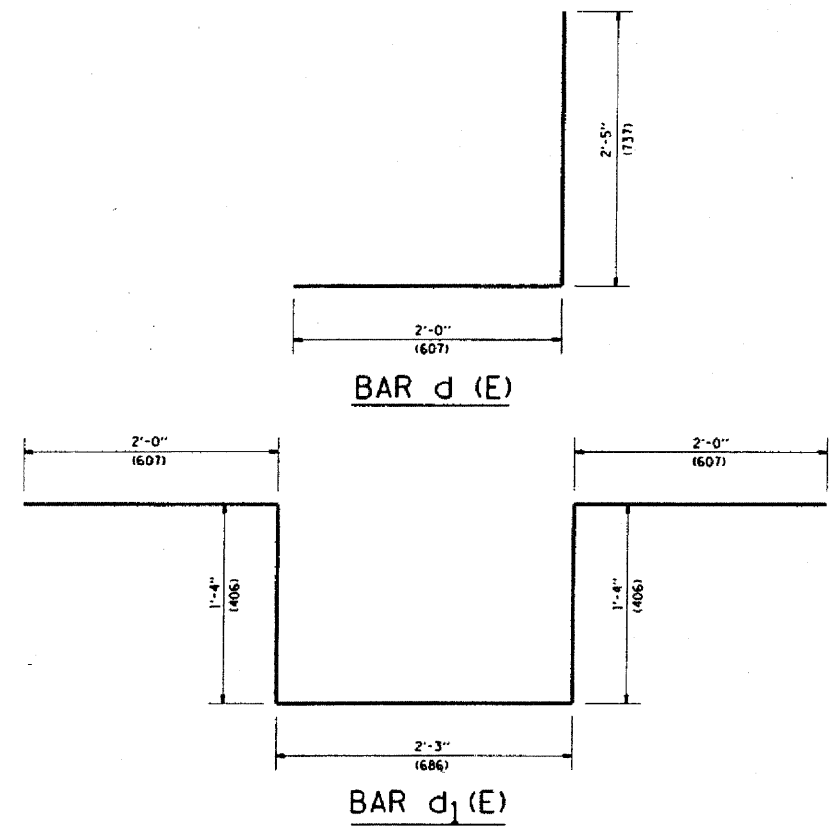


F.A.U. R.T.E.	SECTION	COUNTY	TOTAL SHEETS	SHEET NO.
1463	1010.1B	COOK	171	68
STA. TO STA.		FED. ROAD DIST. NO. ILLINOIS FED. AID PROJECT		



- NOTES**
1. ALL DIMENSIONS ARE IN INCHES (MILLIMETERS) UNLESS OTHERWISE SHOWN.
 2. LEVEL LIGHT POLE PLATES, USING THE FLANGE NUTS, PRIOR TO POURING THE PARAPET WALL. THE TOP OF THE PLATE SHALL BE AT THE SAME ELEVATION AS THE FINISHED CONCRETE PARAPET.
 3. THE COST OF ANCHOR BOLTS, CONDUIT, LEVELLING PLATE AND FOUNDATION IS INCLUDED IN THE COST OF THE BRIDGE STRUCTURE.

REVISIONS	
NAME	DATE
	06/28/07

ILLINOIS DEPARTMENT OF TRANSPORTATION
LIGHT POLE MOUNTED ON CONCRETE PARAPET WALL
 1 1/2" (292 mm) BOLT CIRCLE

SCALE: NONE

DRAWN BY
 CHECKED BY
 BE-329

PLOT DATE: 6/28/2007
 PLOT SCALE: 1/8" = 1'-0"
 USER NAME: jwh