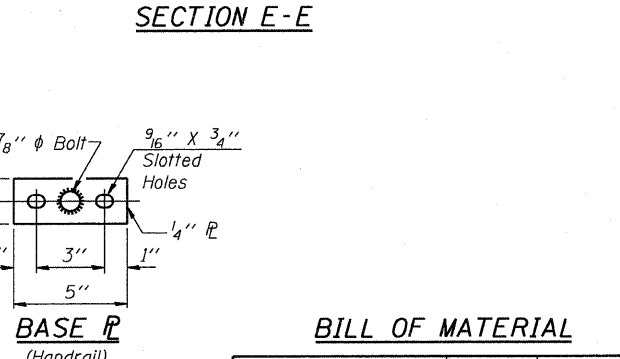
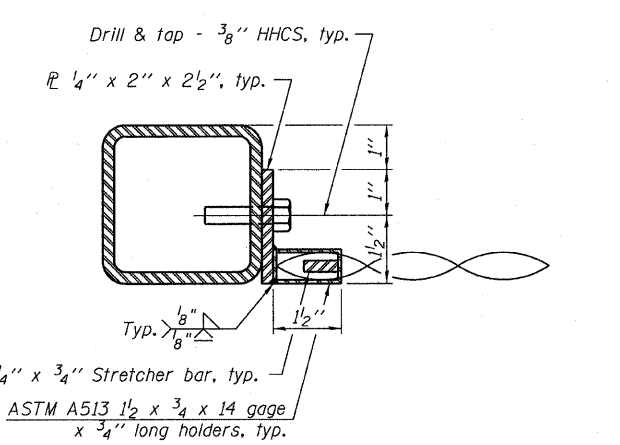
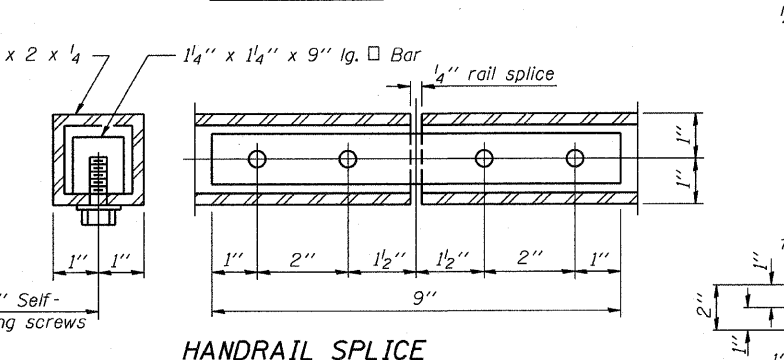
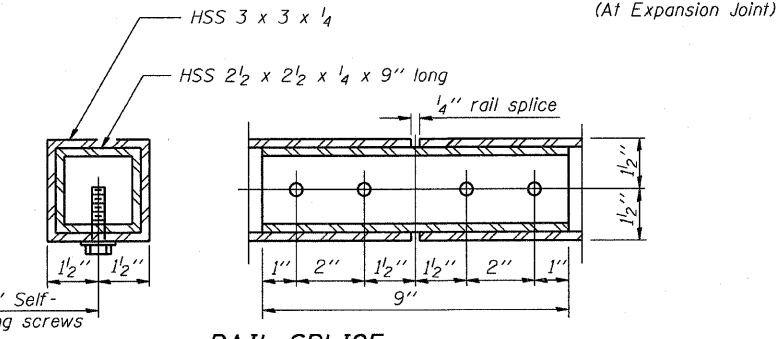
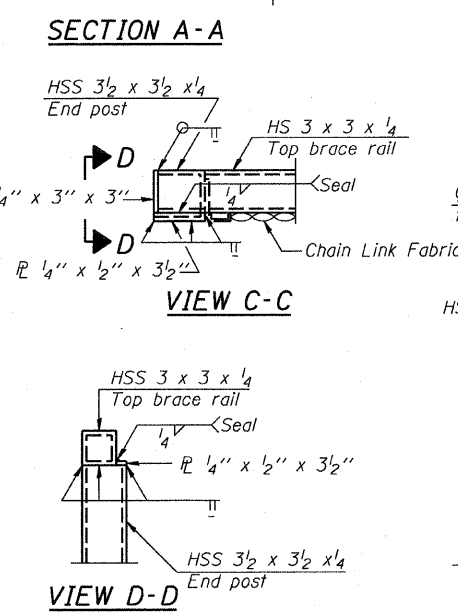
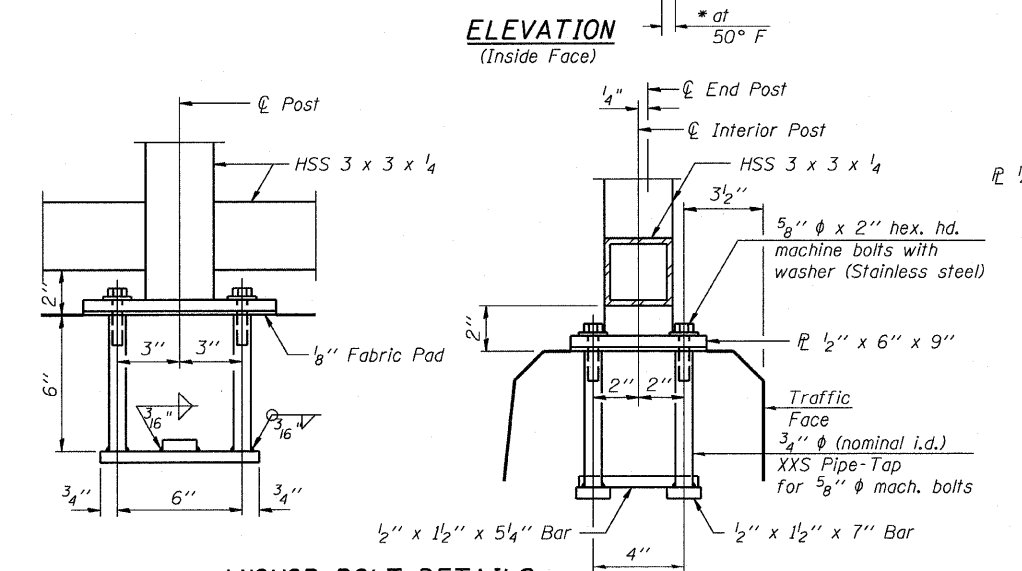
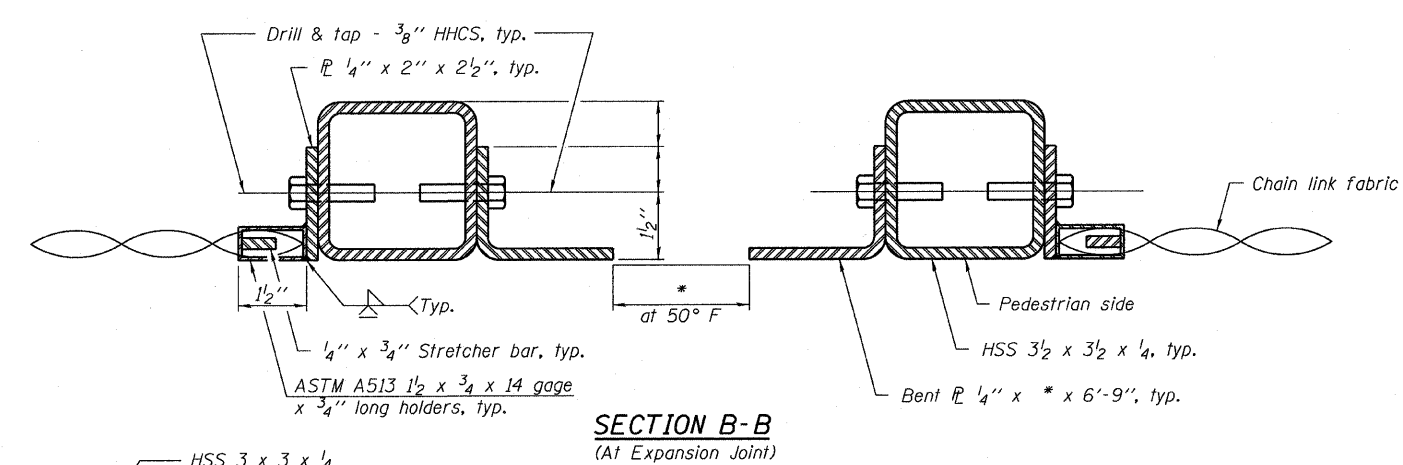
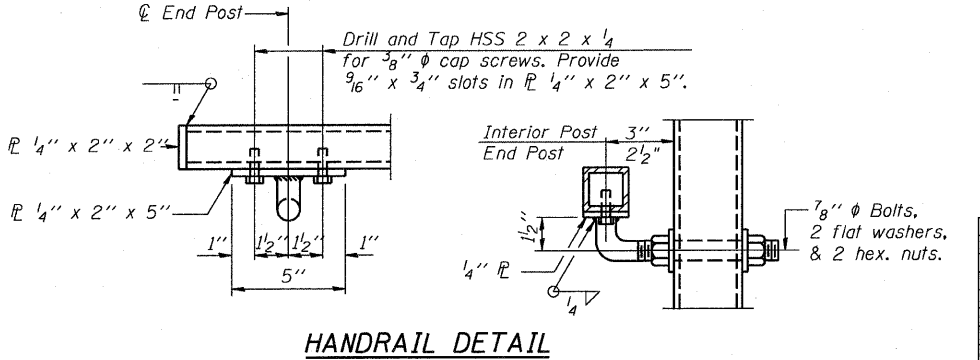
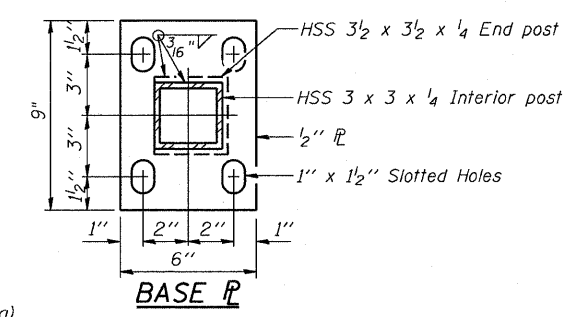


All steel rail elements shall be galvanized according to Article 509.05 of the Standard Specifications.



In lieu of the cast-in-place anchor device shown, the Contractor has the option of drilling and setting 5/8" anchor rods according to Article 509.06 of the Standard Specifications. Embedment shall be according to the manufacturer's specifications.



BILL OF MATERIAL

Item	Unit	Total
Bridge Fence Railing	Foot	985

ILLINOIS DEPARTMENT OF TRANSPORTATION
BRIDGE FENCE RAILING
 31 ST. STREET OVER M.J. & C.W.I.R.R.
 F.A.U. ROUTE 1463 SECTION 159-1010.1B
 COOK COUNTY
 STATION 217+09.66
 STR. NO. 016-0871

REVISIONS

NAME	DATE

SCALE: VERT. HORIZ. DATE JANUARY 2008
 DRAWN BY JHR
 CHECKED BY CLS

*Variable - See Plans (10'-0" Maximum Post Spacing)