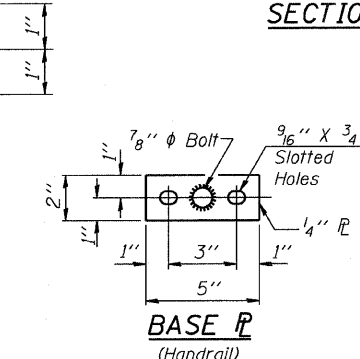
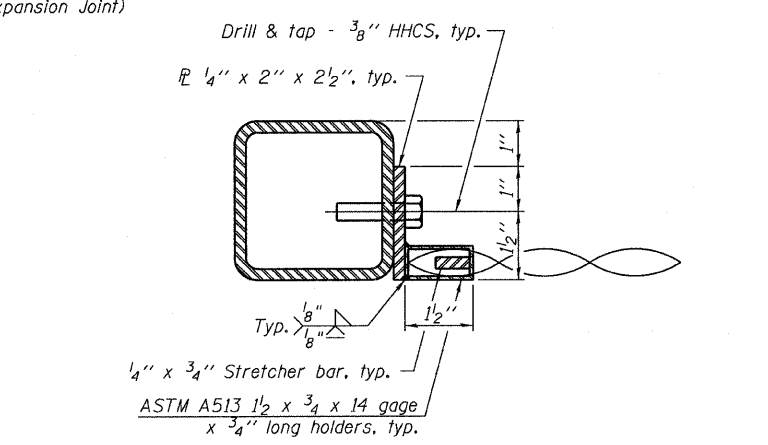
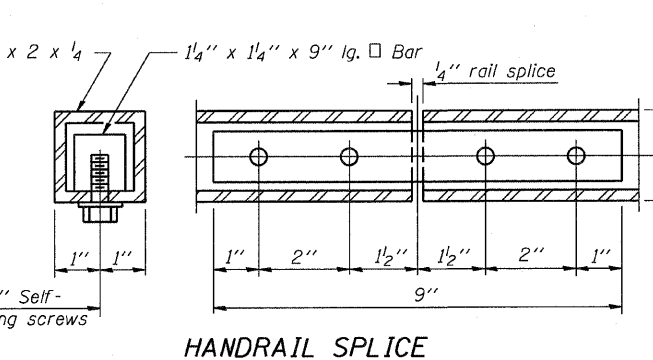
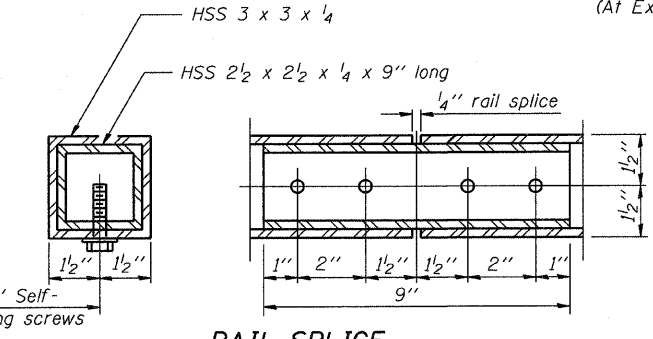
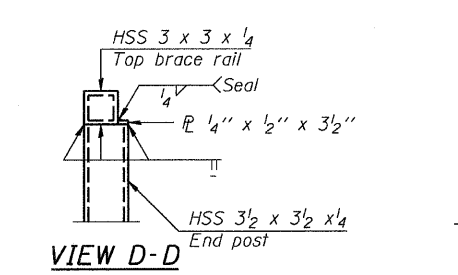
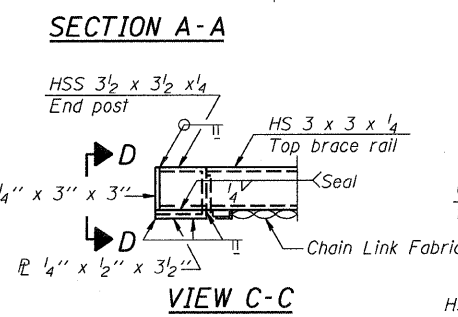
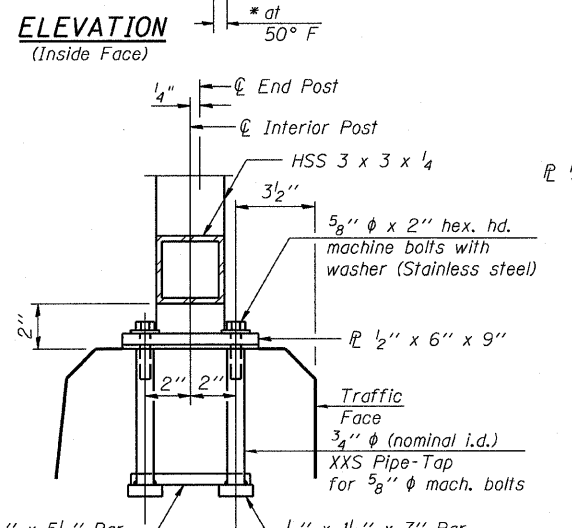
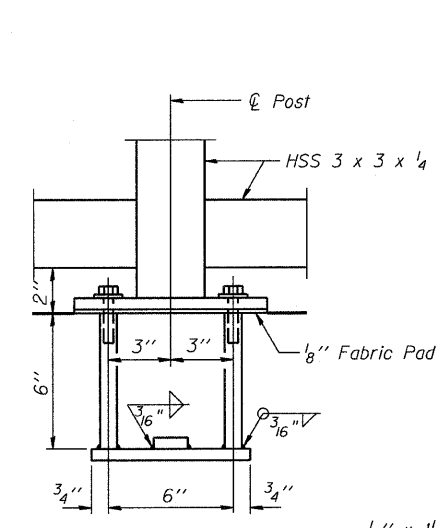
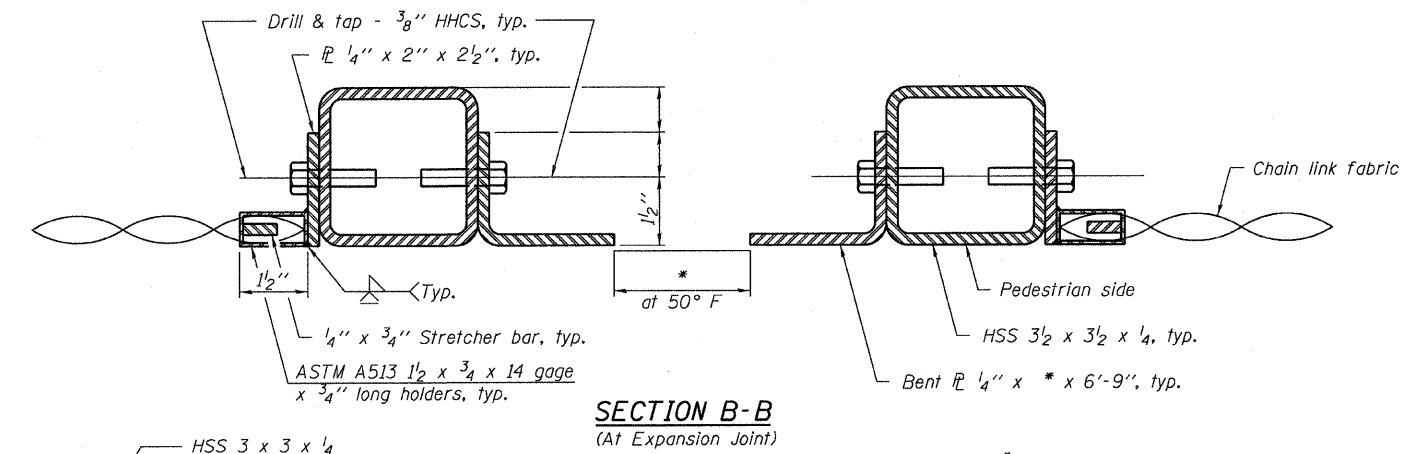
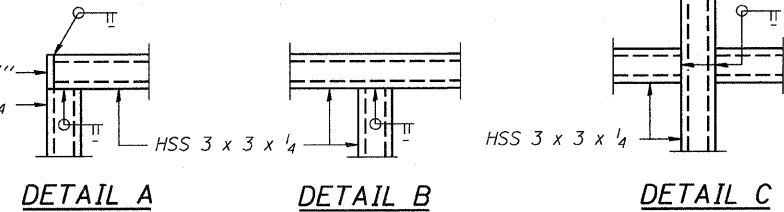
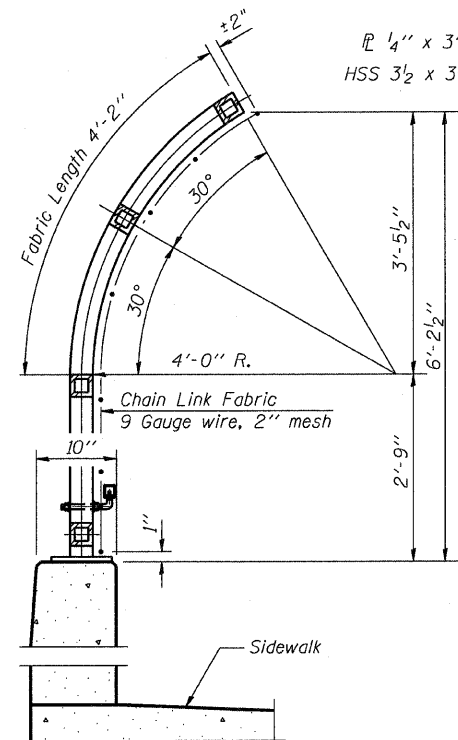
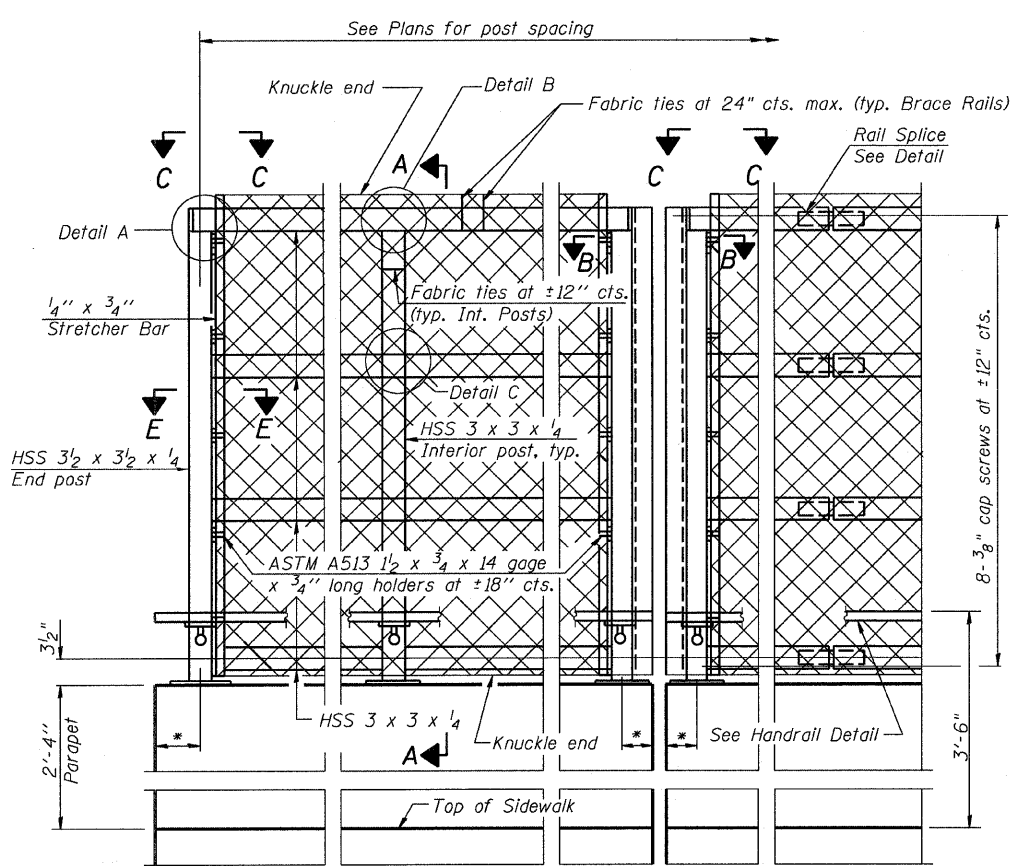


All steel rail elements shall be galvanized according to Article 509.05 of the Standard Specifications.



BILL OF MATERIAL

Item	Unit	Total
Bridge Fence Railing	Foot	345

ILLINOIS DEPARTMENT OF TRANSPORTATION
BRIDGE FENCE RAILING
 31 ST. STREET OVER KILBOURN AVE.
 F.A.U. ROUTE 1463 SECTION 159-1010.1B
 COOK COUNTY
 STATION 223+67.45
 STR. NO. 016-0872

REVISIONS

NAME	DATE

SCALE: VERT. DATE JANUARY 2008
 DRAWN BY JHR
 CHECKED BY CLS

*Variable - See Plans
 (10'-0" Maximum Post Spacing)