

BILL OF MATERIAL
 (For 2 Approach Slabs including Parapets & Sidewalks)

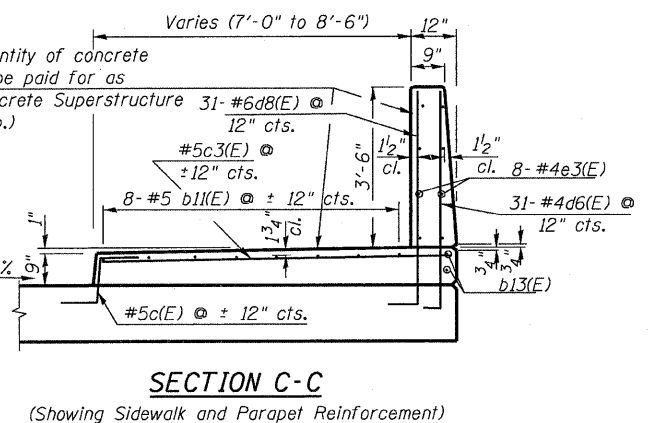
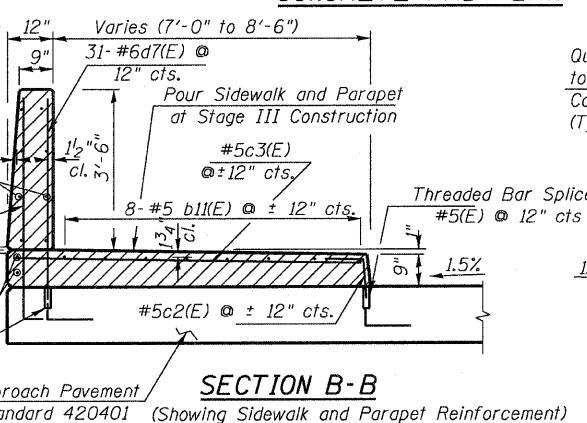
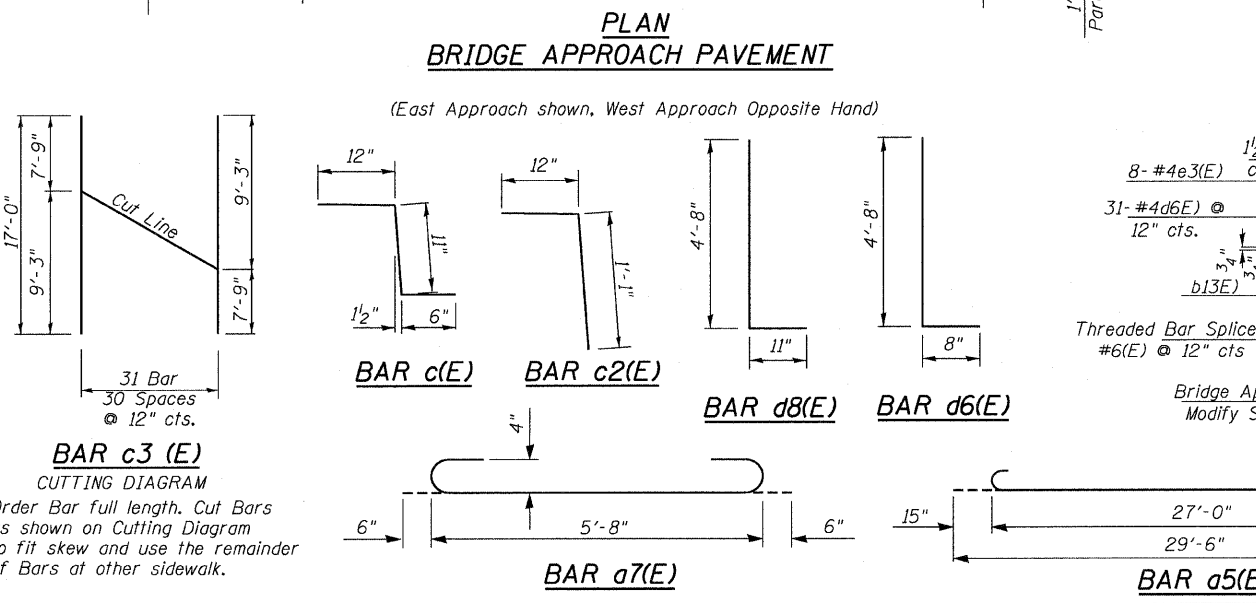
Bar	No.	Size	Length	Shape
a5(E)	208	#9	29'-6"	U
a6(E)	106	#5	29'-6"	U
a7(E)	104	#4	6'-8"	U
a8(E)	104	#4	5'-8"	U
b3(E)	8	#4	53'-0"	U
b4(E)	8	#4	44'-0"	U
b5(E)	30	#5	53'-0"	U
b6(E)	30	#5	44'-0"	U
b1(E)	40	#5	29'-9"	U
c(E)	62	#5	2'-5"	L
c2(E)	62	#5	7'-9"	L
c3(E)	62	#5	17'-0"	L
d6(E)	124	#4	5'-4"	U
d7(E)	62	#6	4'-10"	U
d8(E)	62	#6	5'-7"	U
e3(E)	32	#4	29'-9"	U
h(E)	48	#5	27'-3"	U
h1(E)	48	#5	22'-9"	U
Bridge Approach Pavement (Special)				Sq. Yd. 327

NOTES:

THICKNESS-"t"=Thickness of Pavement. See Standard 421001 for reinforcement details not shown. See Standard 420001 for details of joints not shown.

Reinforcement Bars designated (E) shall be epoxy coated.

* Bar d5(E) and c2(E) are threaded. Install bar d5(E) and c2(E) at Stage Construction III and pour North Sidewalk. See Sheet 28 for splice details. Work this Sheet with Bridge Plans Drawing Sheets 3 and 29



REVISIONS	
NAME	DATE

ILLINOIS DEPARTMENT OF TRANSPORTATION
APPROACH PAVEMENT DETAILS
 31 ST. STREET OVER M.J. & C.W.I.R.R.
 F.A.U. ROUTE 1463 SECTION 159-1010.1B
 COOK COUNTY
 STATION 217+09.66
 STR. NO. 016-0871

SCALE: VERT. _____
 HORIZ. _____
 DATE: JANUARY 2008
 DRAWN BY: JHR
 CHECKED BY: CLS