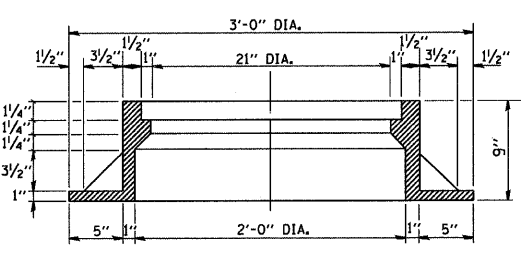
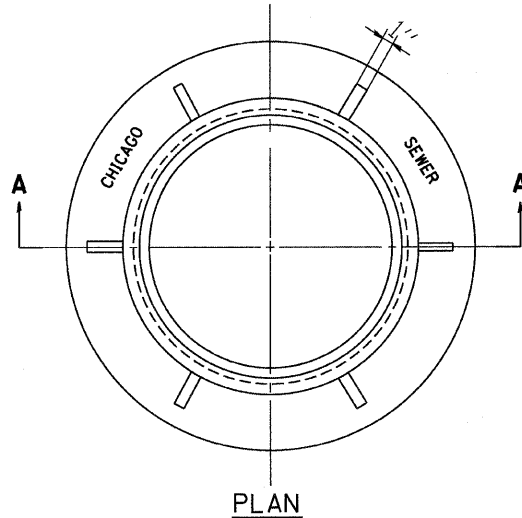
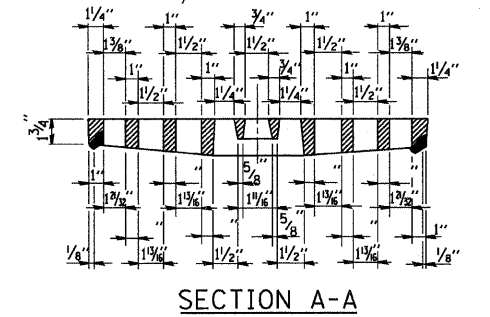
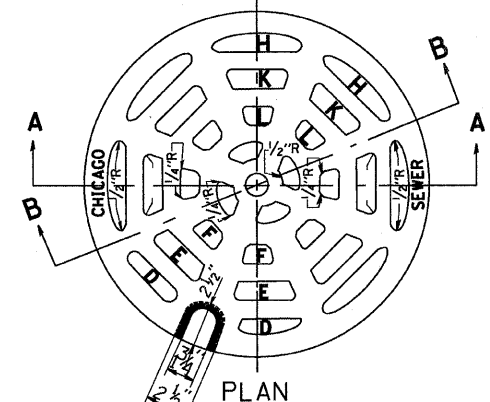
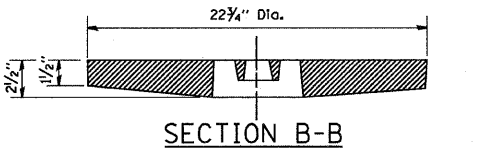


F.A.U. RTE.	SECTION	COUNTY	TOTAL SHEETS	SHEET NO.
1463	1010.1B	COOK	171	147
STA.		TO STA.		
FED. ROAD DIST. NO.		ILLINOIS FED. AID PROJECT		

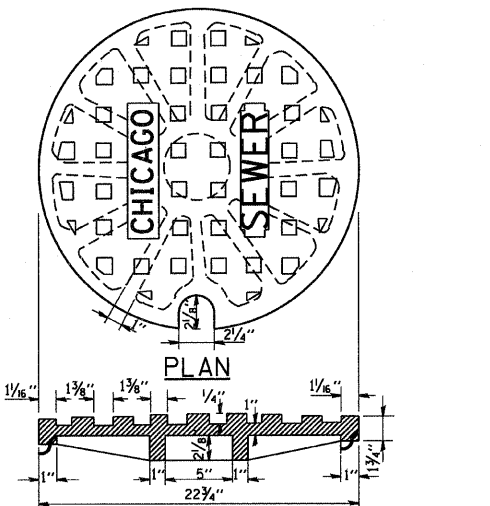
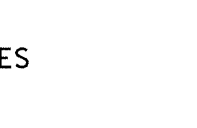
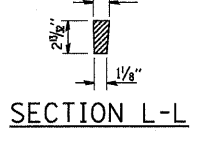
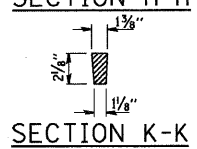
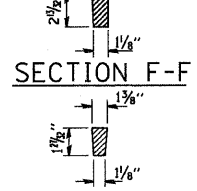
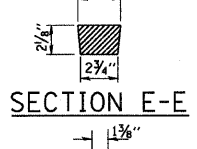
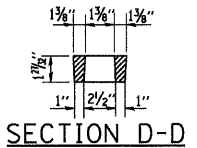


NOTE: METAL PLATES MUST BE FURNISHED FOR PERFORATED LIDS ON MANHOLES

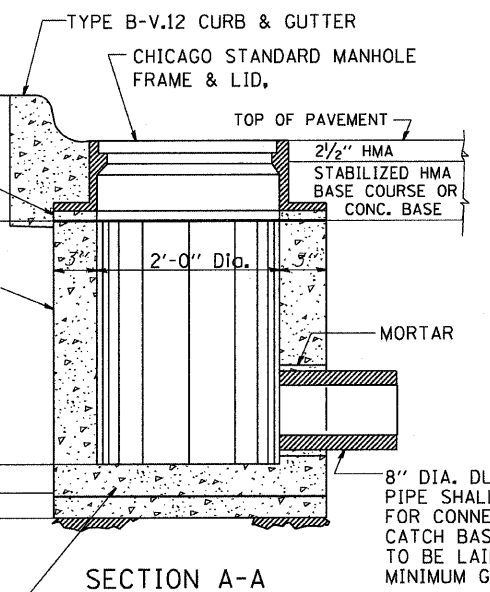
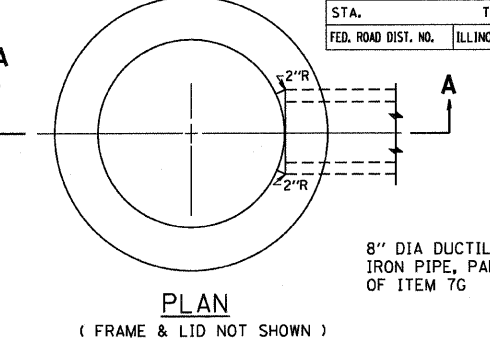
CHICAGO STANDARD MANHOLE FRAME
SCALE: 1/2"=1'-0"
MATERIAL: CAST IRON



PERFORATED LID FOR CATCH BASINS & MANHOLES
SCALE: 2"=1'-0"
MATERIAL: CAST IRON



SOLID LID FOR MANHOLES
SCALE: NONE
MATERIAL: CAST IRON



24" DIA. PRECAST CONC. RING
SEE SPECIFICATIONS, PART 2, ART 212.3

8" DIA. DUCTILE IRON PIPE SHALL BE USED FOR CONNECTION TO CATCH BASIN PIPE TO BE LAID ON A MINIMUM GRADE OF 1%

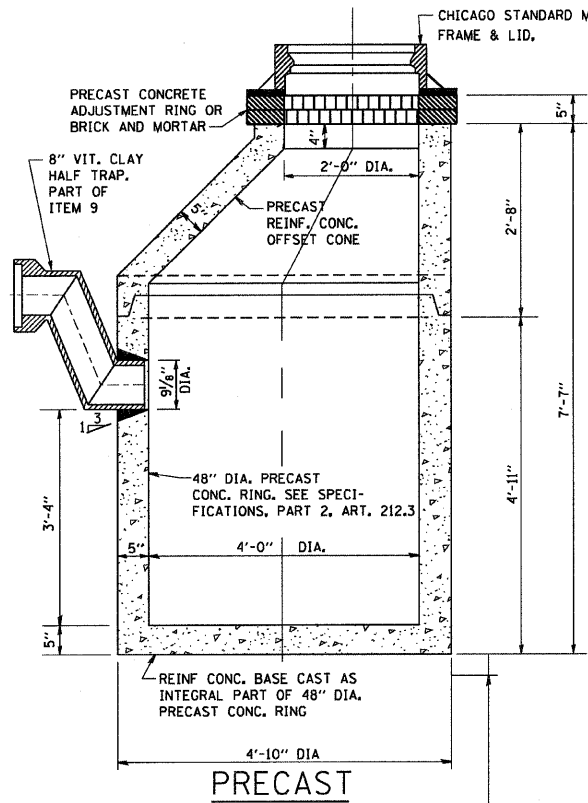
REINFORCED CONCRETE BASE CAST AS INTEGRAL PART OF 24" DIA. PRECAST CONC. RING

6" MINIMUM GRANULAR EMBEDMENT UNDER ALL INLETS. FURNISHING AND INSTALLING GRANULAR EMBEDMENT SHALL BE INCLUDED IN THE UNIT PRICE BID FOR ITEM 12

STANDARD INLETS
SCALE 1"=1'-0"
ITEM 12

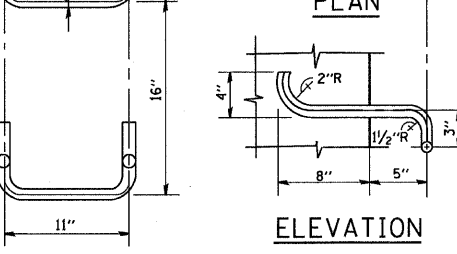
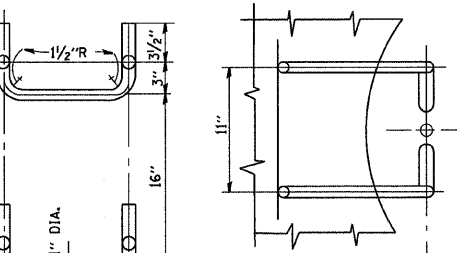
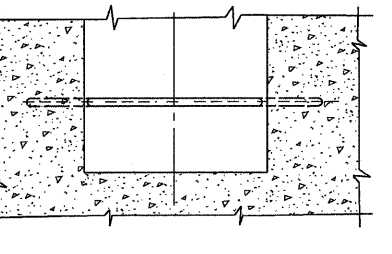
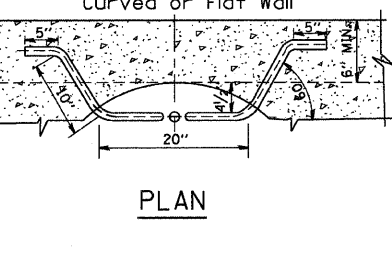
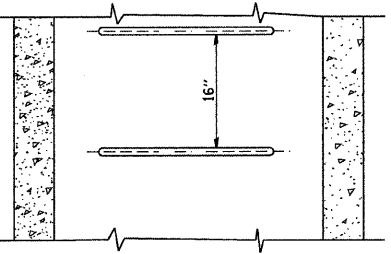
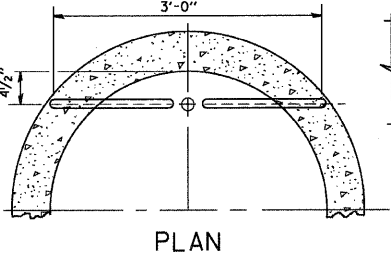
THIS INLET DETAIL IS SOMETIMES REFERRED TO AS "CHICAGO STANDARD INLET, TYPE A"

NOTE:
INLETS SHALL NOT BE CONSTRUCTED UNLESS IT IS IMPOSSIBLE TO CONSTRUCT A CATCH BASIN. THE CONTRACTOR SHALL HAVE THE DEPARTMENT OF SEWERS APPROVAL BEFORE CONSTRUCTING INLETS.



NOTE:
6" MINIMUM GRANULAR EMBEDMENT UNDER ALL CATCH BASINS

STANDARD CATCH BASINS
SCALE: 3/4"=1'-0"
ITEM 9



HANDHOLD-TYPE Z RUNG
SCALE: 1/2"=1'-0"

ALL LADDER RUNGS SHALL BE ALUMINUM OR GALVANIZED WROUGHT IRON AS SPECIFIED IN THE SPECIFICATIONS, PART 2, ARTICLE 214.2. RUNGS SHALL BE 1" DIAMETER OR OF A SHAPE HAVING AN EQUIVALENT CROSS-SECTIONAL AREA.

STANDARD LADDER RUNGS

PLOT DATE = 3/15/2007
FILE NAME = K:\address\bd47.dgn
PLOT SCALE = 86.88888 / IN.
USER NAME = bward

REVISIONS	
NAME	DATE
M. GOMEZ	01/25/01

CITY OF CHICAGO
DEPARTMENT OF SEWERS
ENGINEERING DIVISION

ILLINOIS DEPARTMENT OF TRANSPORTATION

CITY OF CHICAGO
CATCH BASIN, INLET AND
MANHOLE DETAILS

SCALE: VERT. NONE
HORIZ. NONE

DRAWN BY
CHECKED BY