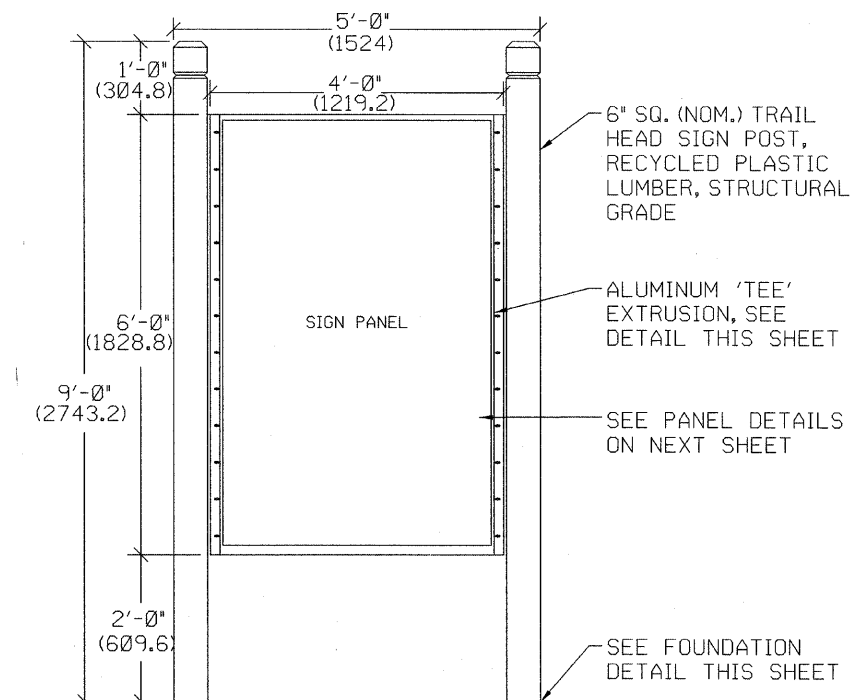
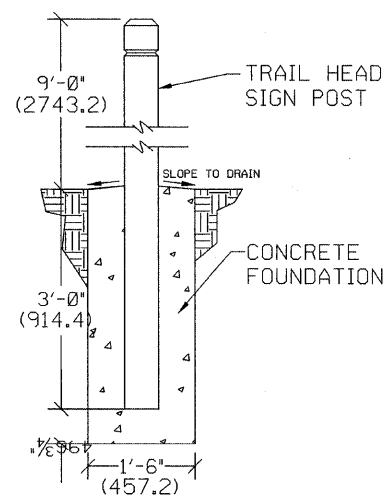


SECTION	COUNTY	TOTAL SHEETS	SHEET NO.
08-F3000-20-BT	COOK	29	13
STA. TO STA.			
PROJECT NO. TE-D001 (610)			
CENTENNIAL TRAIL			
CONTRACT NO. 63052			



NOTES:  
1. SHOP DRAWINGS SHALL BE SUBMITTED FOR APPROVAL.

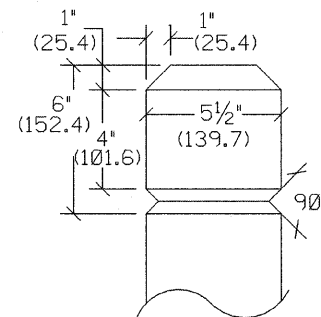
TRAIL HEAD SIGN  
N.T.S.



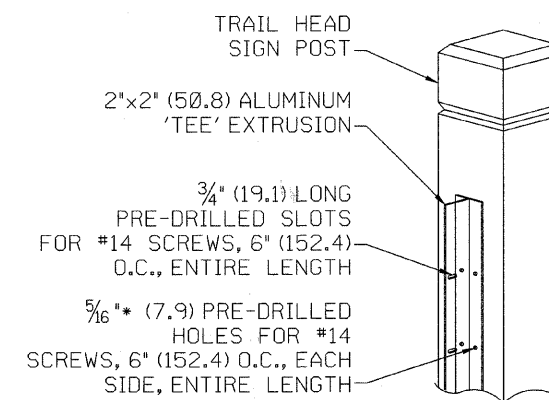
TRAIL HEAD POST FOUNDATION  
N.T.S.

NOTES:

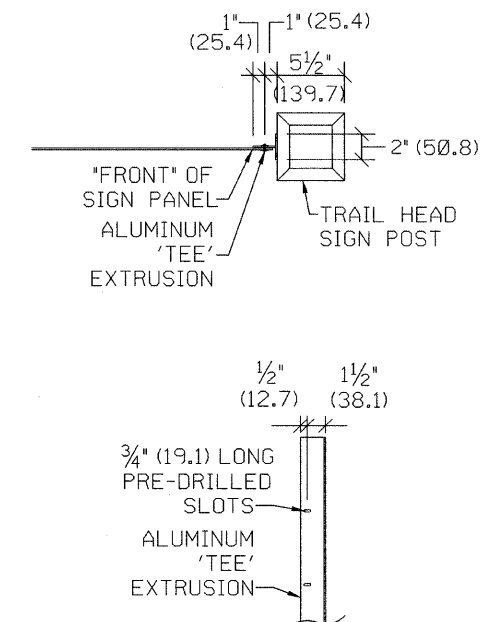
- FASTEN TEE TO POST WITH #14 x 1.5" (38.1) SIX-LOBE SECURITY SCREWS, BUTTON HEAD, TYPE SMS, STAINLESS STEEL AND WASHER.
- FASTEN SIGN PANEL TO TEE WITH #14 x 1" (25.4) SIX-LOBE SECURITY SCREWS, BUTTON HEAD, TYPE M/S, STAINLESS STEEL, ONE #14 WASHER AND ONE #14 TAMPER-PROOF NUT AS MANUFACTURED BY GUARD-NUT INC., SERIES 75, PLATED STEEL.



POST TOP DETAIL



ALUMINUM EXTRUSION



TRAIL HEAD POST DETAILS  
N.T.S.

REVISIONS		
NO.	NAME	DATE

**URS** 100 S. WACKER DR., SUITE 500 TEL (312)-939-1000  
CHICAGO, IL 60606 FAX (312)-939-4198

FOREST PRESERVE DISTRICT OF COOK COUNTY  
**CENTENNIAL TRAIL**

**TRAIL HEAD SIGN DETAILS**

DATE: 11/9/07 DRAWN BY:  
DESIGNED BY: DGM CHECKED BY: DIH