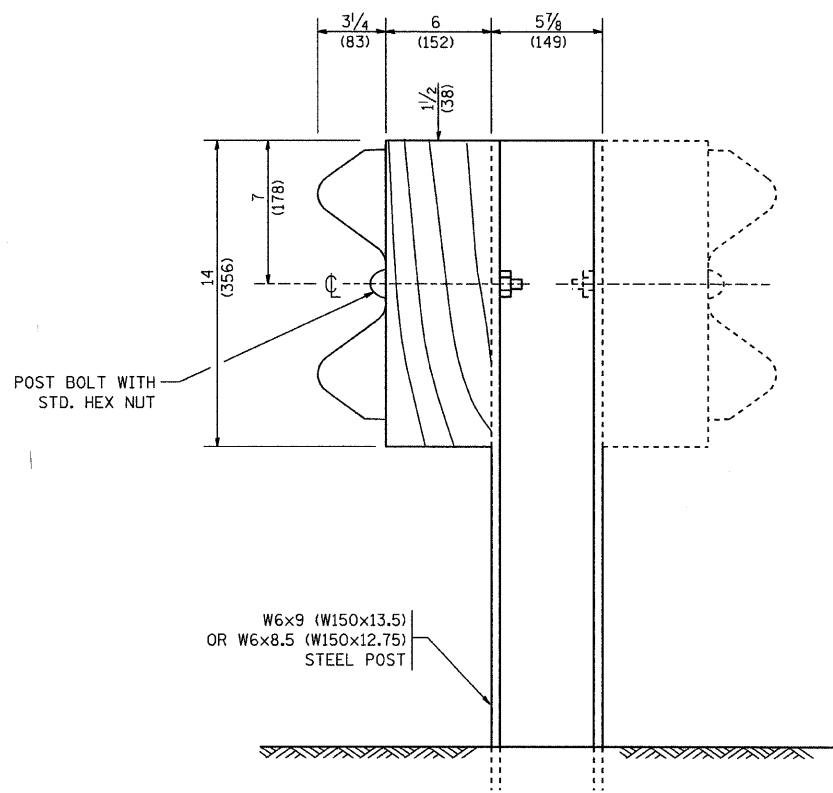
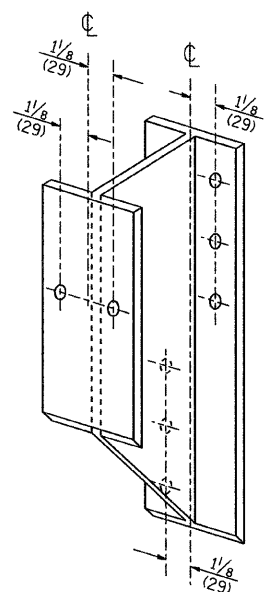


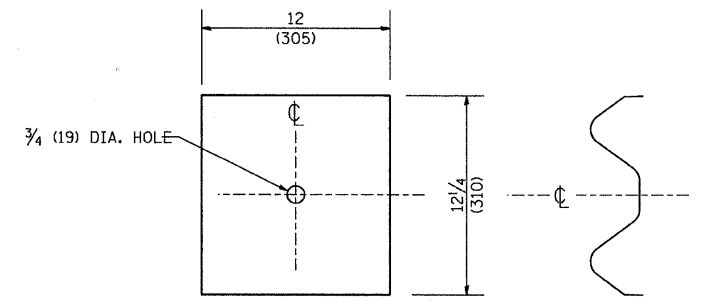
CONTRACT NO.				
F.A. RTE.	SECTION	COUNTY	TOTAL SHEETS	SHEET NO.
08-P3000-20-B7		COOK	29	19
STA.		TO STA.		
FED. ROAD DIST. NO.		ILLINOIS FED. AID PROJECT		
CONTRACT NO. 63052				



STEEL POST CONSTRUCTION

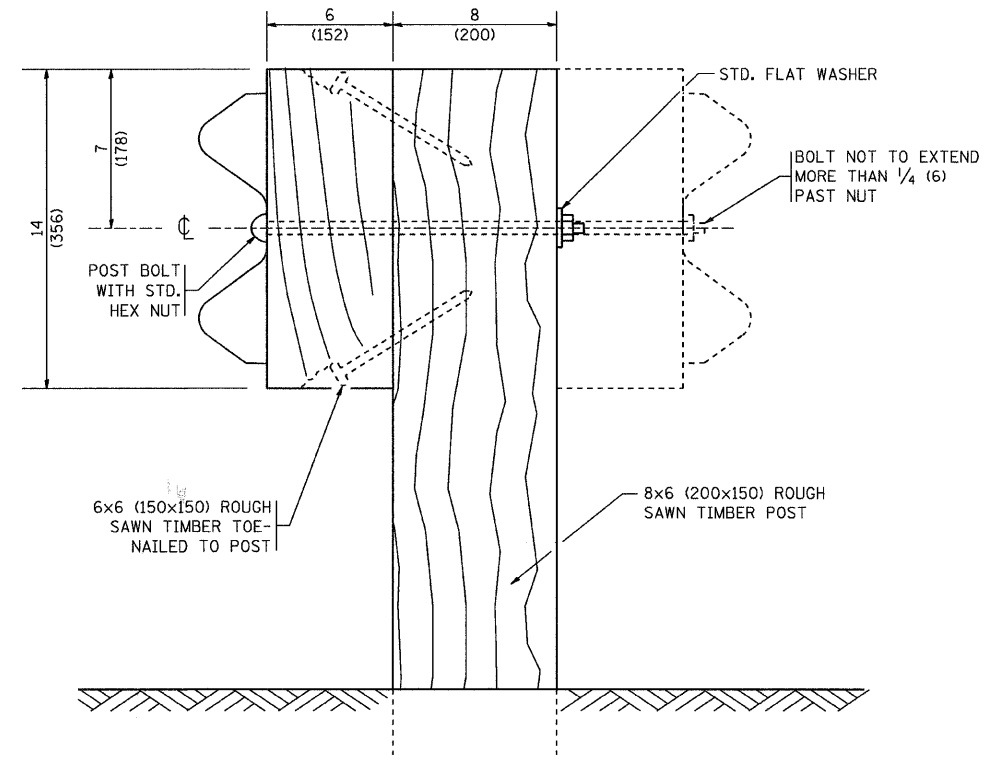


STEEL BLOCK-OUT DETAIL

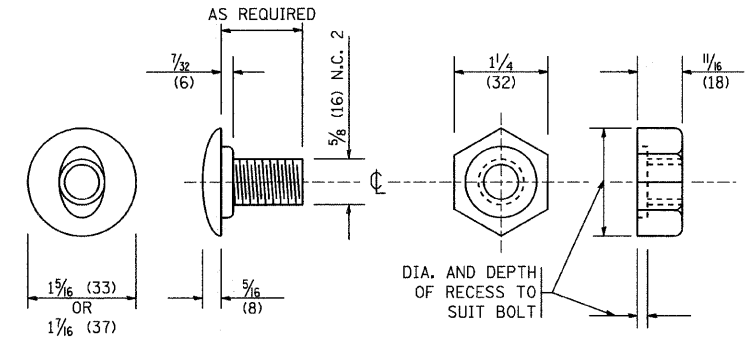


NOTE:
 PLATE A SHALL BE PLACED BETWEEN RAIL ELEMENT AND BLOCK-OUT AT NON-SPLICE MOUNTING POINTS ONLY WHEN STEEL BLOCK-OUTS ARE USED.

PLATE A



WOOD POST CONSTRUCTION



POST OR SPLICE BOLT & NUT

REVISIONS	
NAME	DATE

ILLINOIS DEPARTMENT OF TRANSPORTATION
 REMOVE AND REERECT
 STEEL PLATE BEAM GUARDRAIL
 (SHEET 2 OF 4)
 SCALE: NONE
 DATE: 2/27/2007
 DRAWN BY
 CHECKED BY

PLOT DATE = 2/27/2007
 FILE NAME = K:\dashed\bm21.dgn
 USER NAME = jng