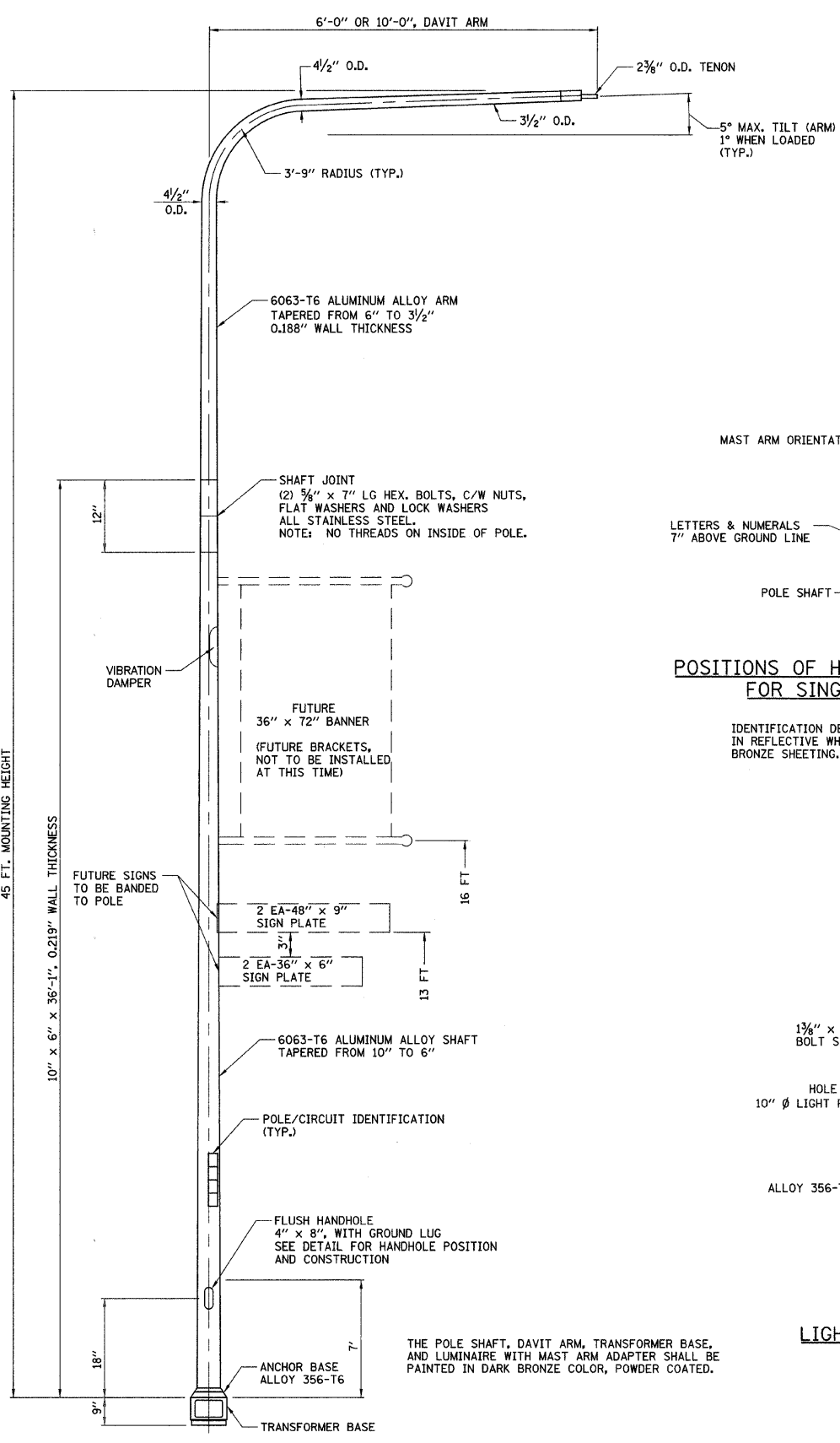
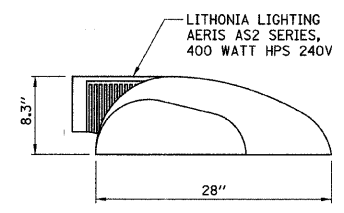


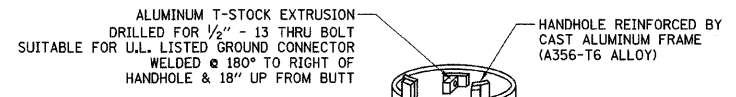
F.A.U. RTE.	SECTION	COUNTY	TOTAL SHEETS	SHEET NO.
1346 & 2626	05-00050-00-CH	COOK/DUPAGE	94	57
LIGHTING DETAILS				
FED. ROAD DIST. NO. 7 ILLINOIS FED. AID PROJECT M-8003(569)				



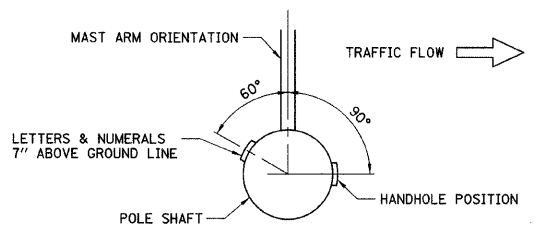
DAVIT ARM POLE



LUMINAIRE

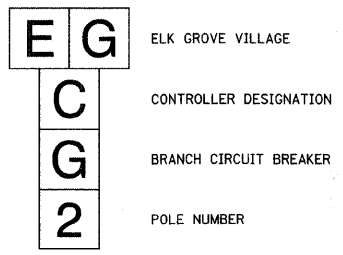


HANDHOLE AND GROUND LUG DETAIL

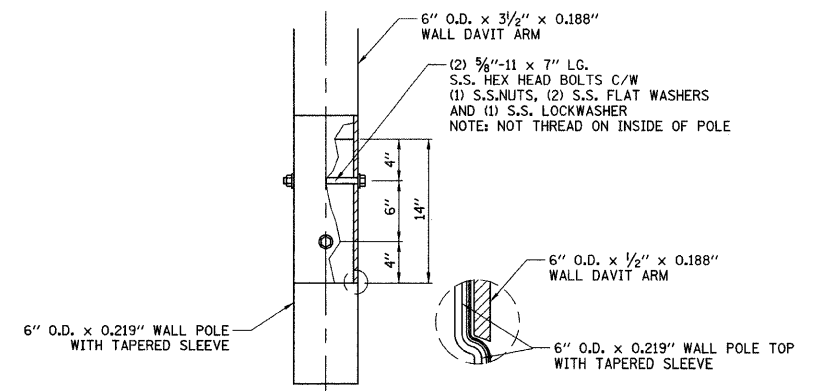


POSITIONS OF HANDHOLE AND POLE NUMBER FOR SINGLE MAST ARM POLES

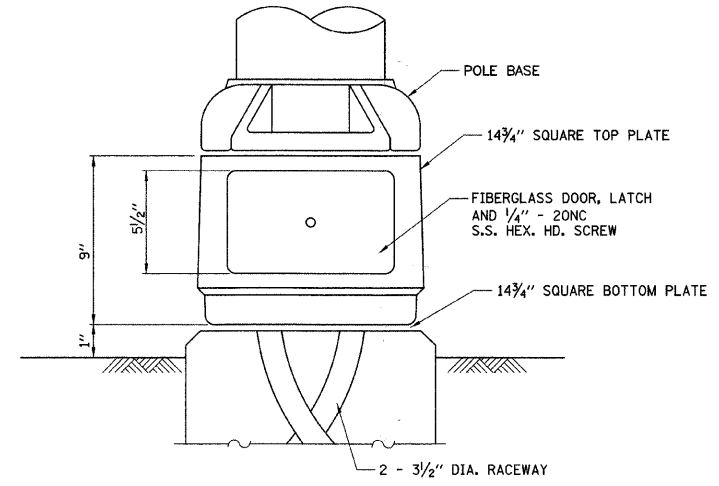
IDENTIFICATION DECALS - LETTER AND NUMERALS SHALL BE IN REFLECTIVE WHITE ON PRESSURE SENSITIVE REFLECTIVE BRONZE SHEETING.



POLE NUMBERING TYP.

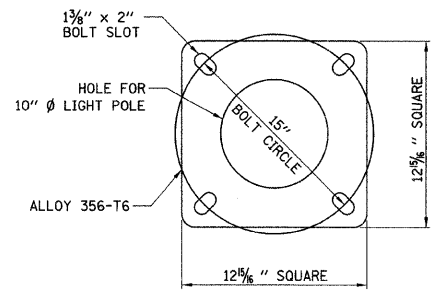


DAVIT ARM CONNECTION (14" OVERLAP SHOWN)

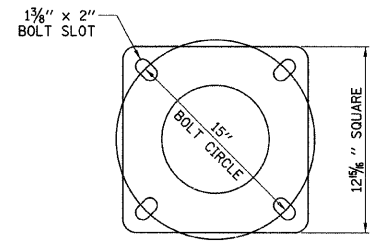


BREAKAWAY DEVICE, TRANSFORMER BASE

THE BREAKAWAY TRANSFORMER BASE SHALL HAVE A LISTING OF APPROVAL BY FHWA COMPLIANCE TO 1985 AASHTO REQUIREMENTS.



LIGHT POLE BASE PLATE DETAIL



TOP/BOTTOM DETAIL TRANSFORMER BASE

NOTES:

1. MOUNTING HEIGHT IS DEFINED AS THE DISTANCE FROM THE CENTERLINE OF THE TENON TO THE BOTTOM OF THE ANCHOR BASE.
2. BOLT SLOTS WILL BE 1 3/8" x 2" CENTERED.
3. TWO PIECE SHAFT WILL BE MATCH MARKED AND INTERCHANGEABLE BETWEEN DIFFERENT UNITS. STUD BOLT WILL BE 5/8" DIA. WITH NUT, FLAT WASHER, AND LOCK WASHER. THERE WILL BE NO THREADS ON THE BOLT INSIDE THE POLE SHAFT.
4. THE LIGHT POLE SHALL MEET A.A.S.H.T.O. DESIGN CRITERIA.

ILLINOIS DEPARTMENT OF TRANSPORTATION

LIGHTING DETAILS

DATE: 5/27/08
DESIGNED BY: JSM
CHECKED BY: DNM

NOT TO SCALE