

F. A. U. RITE	SECTION	COUNTY	TOTAL SHEETS	SHEET NO.
2908	02-00077-00-WR	COOK	073	015
STA. 13+25		TO STA. 22+44.15		
FED. ROAD DIST. NO. 1	ILLINOIS	FED. AID PROJECT	M-8003(596)	

CONTRACT #63061

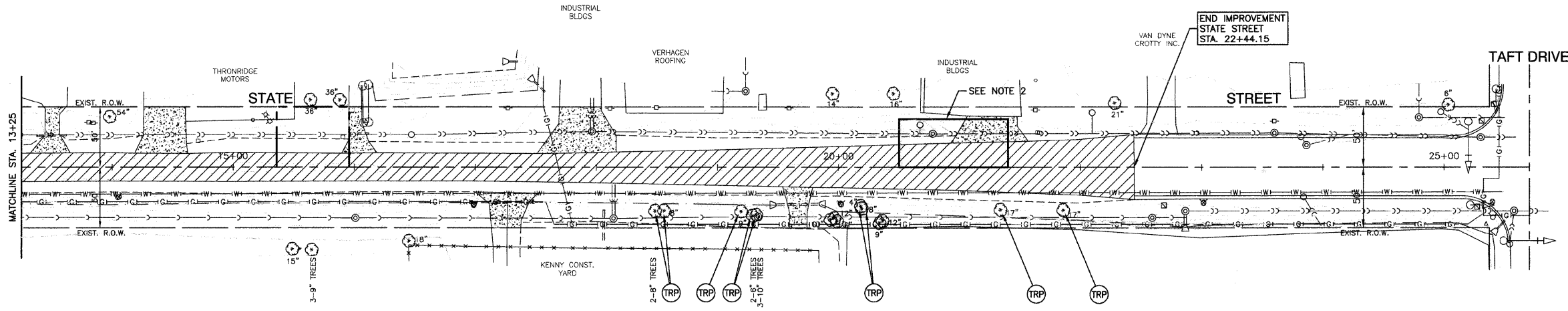


**LEGEND**

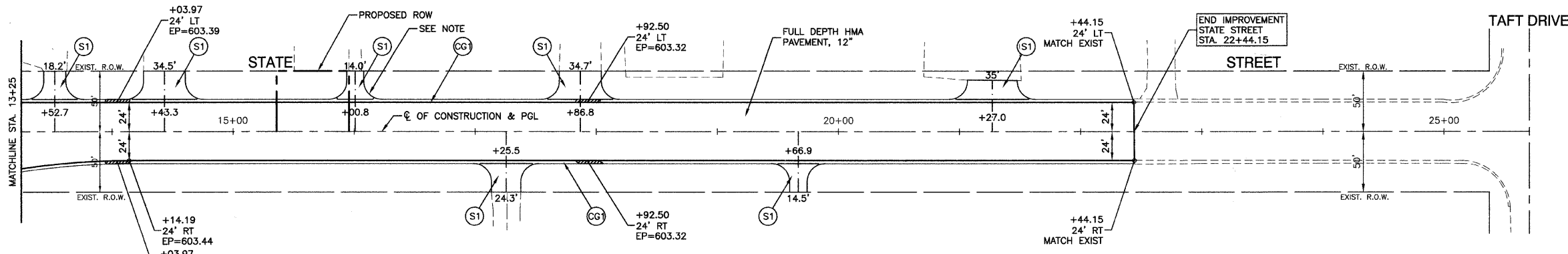
- HMA PAVEMENT REMOVAL
- DRIVEWAY PAVEMENT REMOVAL
- COMB. CURB & GUTTER REMOVAL
- SIDEWALK REMOVAL
- CONTAMINATION SITE
- CURB & GUTTER TYPE B-6.24
- 10' TRANSITION FROM C & G TYPE B-6.12 TO B-6.24
- HMA DRIVEWAY, 8" HMA BASE COURSE, 2" HMA SURFACE COURSE, MIX "C", N50
- P.C.C DRIVEWAY PAVEMENT, 8"
- CURB AND GUTTER FORMED BY HAND FOR PROPER DRAINAGE
- TREE REMOVAL
- TREE ROOT PRUNING

- NOTE:**
- SEE PAVEMENT MARKING SHEETS FOR TAPERS AND STORAGE LENGTHS
  - REFER TO SPECIAL PROVISION DURING SOIL EXCAVATION AT CONTAMINATION SITES
  - ALL STATIONS AND OFFSETS REFERENCE STATE STREET  $\phi$  OF CONSTRUCTION
  - THERE ARE EXISTING 12KV OVERHEAD FACILITIES AND APPROXIMATELY 3 POLES IN CONFLICT WITH THE SUBJECT IMPROVEMENT. THE CONTRACTORS SHOULD USE CAUTION IN OPERATING CRANES OR OTHER EQUIPMENT NEAR COMED OVERHEAD FACILITIES.

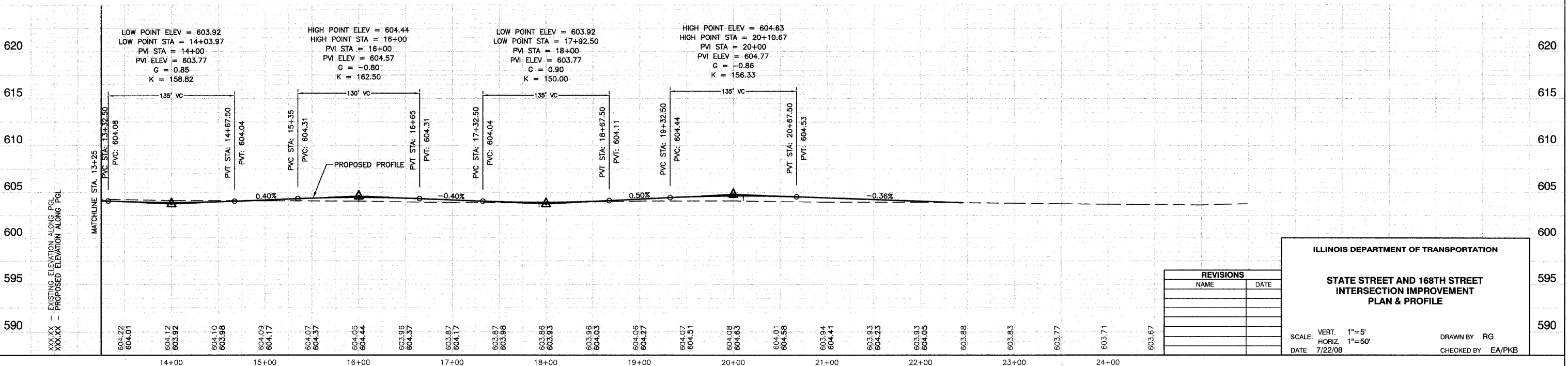
**BENCH MARK: #38**  
 SQUARE CUT IN SOUTH EDGE OF CONC. BASE OF R.R. SIGNAL, THE WEST OF THE TWO. N.E. CORNER VINCENNES RD. AND TAFT DR. ELEVATION = 606.50



**EXISTING CONDITIONS**



**PROPOSED IMPROVEMENTS**



REVISIONS	
NAME	DATE

**ILLINOIS DEPARTMENT OF TRANSPORTATION**

**STATE STREET AND 168TH STREET INTERSECTION IMPROVEMENT PLAN & PROFILE**

SCALE: VERT. 1"=5'  
 HORIZ. 1"=50'  
 DATE 7/22/08

DRAWN BY RG  
 CHECKED BY EA/PKB