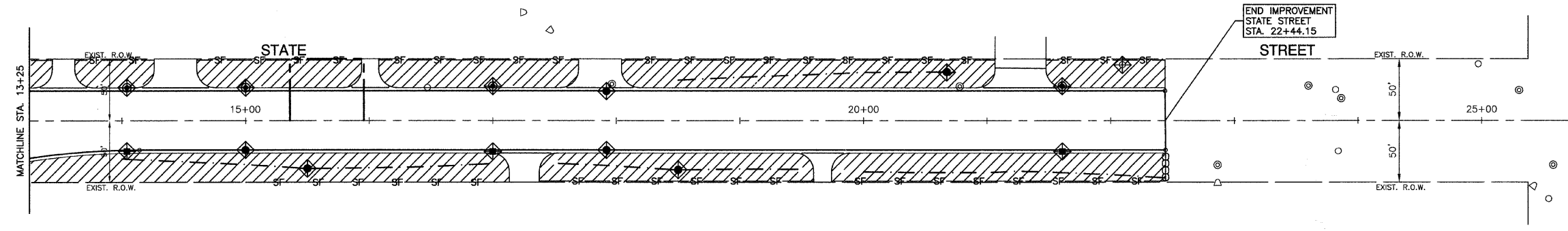
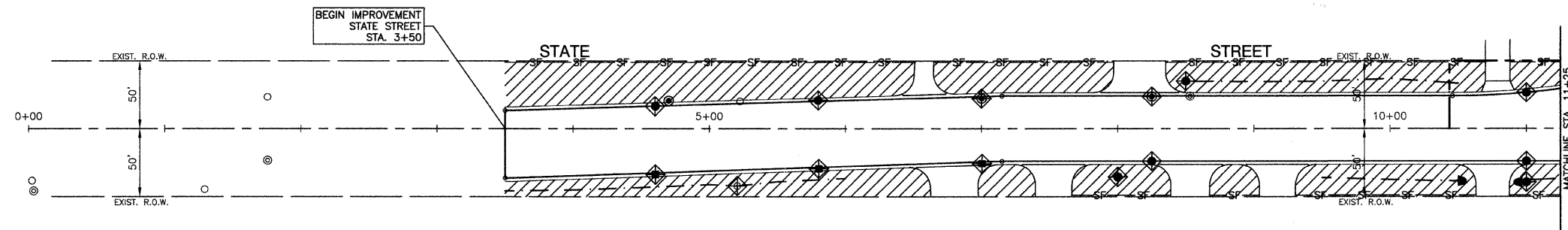


F. A. U. RLE	SECTION	COUNTY	TOTAL SHEETS	SHEET NO
2906	02-00077-00-WR	COOK	073	022
STA. 3+50		TO STA. 22+44.15		
FED. ROAD DIST. NO. 1	ILLINOIS	FED. AID PROJECT	M-8003(996)	

CONTRACT #63061



LEGEND

- SF— PERIMETER EROSION BARRIER (TO BE PLACED 1' FROM ROW)
- TOPSOIL, FURNISH AND PLACE, 4" SEEDING, CLASS 2A WITH EROSION CONTROL BLANKET
- INLET FILTER
- TEMPORARY DITCH CHECKS

NOTES

AREAS TO BE SEEDDED AS SHOWN ON PLAN SHALL BE FERTILIZED AS SPECIFIED PER SECTION 250.04 OF THE STANDARD SPECIFICATIONS

NOTE:
THERE ARE EXISTING 12KV OVERHEAD FACILITIES AND APPROXIMATELY 3 POLES IN CONFLICT WITH THE SUBJECT IMPROVEMENT. THE CONTRACTORS SHOULD USE CAUTION IN OPERATING CRANES OR OTHER EQUIPMENT NEAR COMED OVERHEAD FACILITIES.

REVISIONS	
NAME	DATE

ILLINOIS DEPARTMENT OF TRANSPORTATION

**STATE STREET AND 168TH STREET
INTERSECTION IMPROVEMENT
LANDSCAPING & EROSION CONTROL**

SCALE: VERT. NA
HORIZ. 1"=50'
DATE 7/22/08

DRAWN BY RG
CHECKED BY EA/PKB

ROBINSON ENGINEERING, LTD.
1700 SOUTH PARK AVENUE SOUTH HOLLAND, ILLINOIS 60473
(708) 381-6700 FAX (708) 381-3828
ILLINOIS DESIGN FIRM REGISTRATION NO. 116001156

07245-LSNC-01