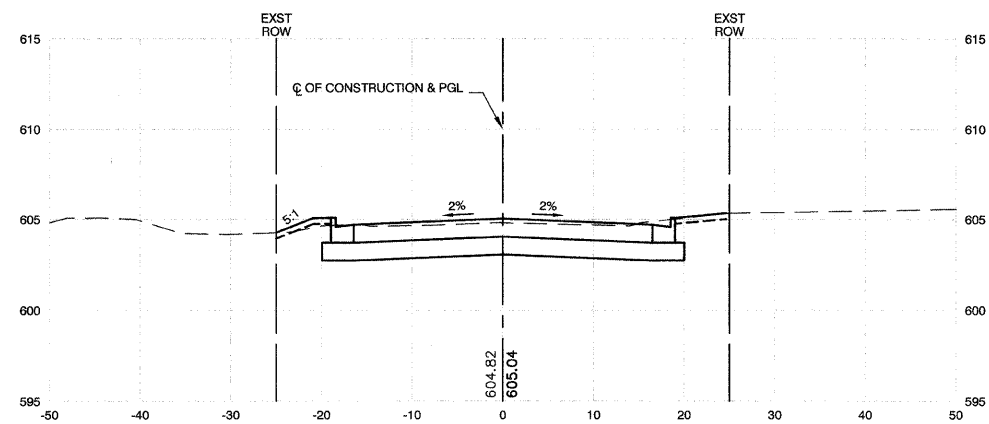
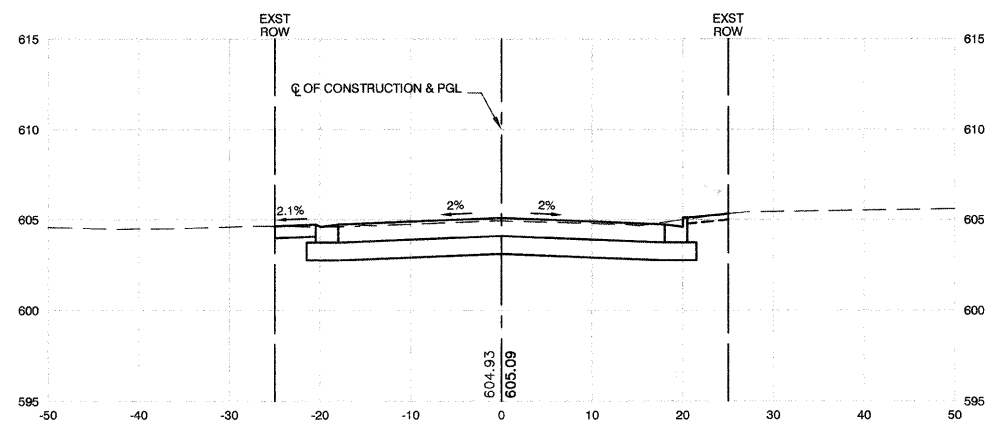


F. A. U. NO.	SECTION	COUNTY	TOTAL SHEETS	SHEET NO.
2908	02-00077-00-WR	COOK	073	044
STA. 51+75.85		TO STA. 53+37.80		
FED. ROAD DIST. NO. 1	ILLINOIS	FED. AID PROJECT	M-8003(598)	

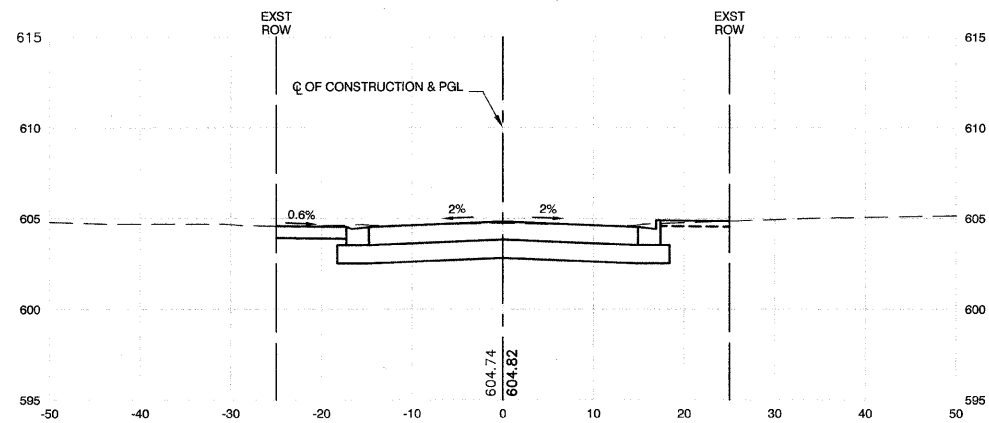
CONTRACT #63061



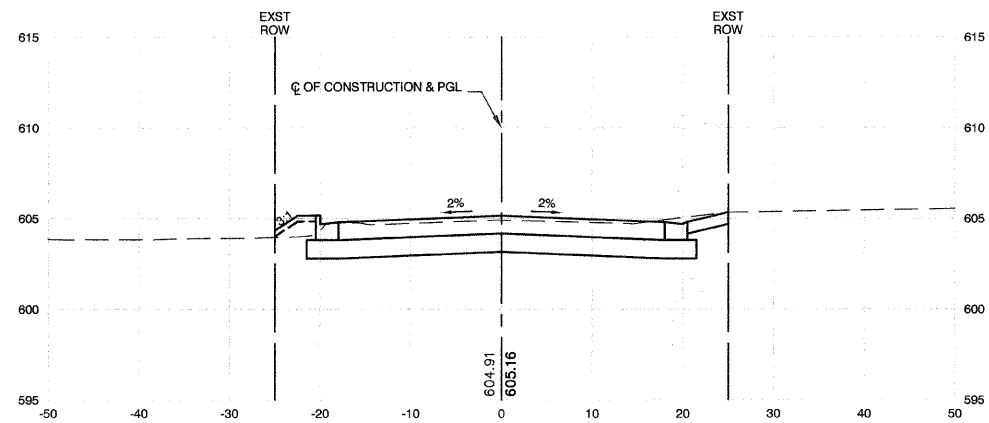
52+50  
CUT=42 FILL=0



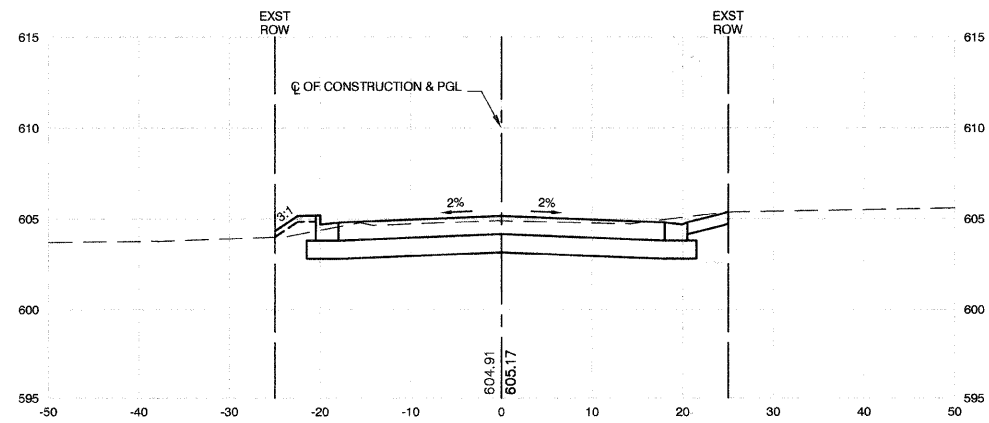
53+37.80  
CUT=51 FILL=0



52+00  
CUT=46 FILL=0



53+11.50  
CUT=57 FILL=3



53+00  
CUT=57 FILL=2

REVISIONS	
NAME	DATE

ILLINOIS DEPARTMENT OF TRANSPORTATION

STATE STREET AND 168TH STREET  
INTERSECTION IMPROVEMENT  
CROSS SECTIONS  
168TH STREET

SCALE: VERT. 1"=5'  
HORIZ. 1"=10'

DATE 7/22/08

DRAWN BY RG/TR  
CHECKED BY EA/PKB