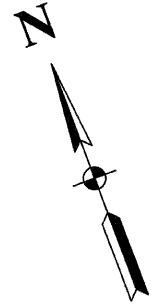


FAU R/E	SECTION	COUNTY	TOTAL SHEETS	SHEET NO
3603	03-00049-00-FP	COOK	045	011
STA.		TO STA.		
FED. ROAD DIST. NO. 1		ILLINOIS	FED. AID PROJECT M8003 (559)	

CONTRACT #63078

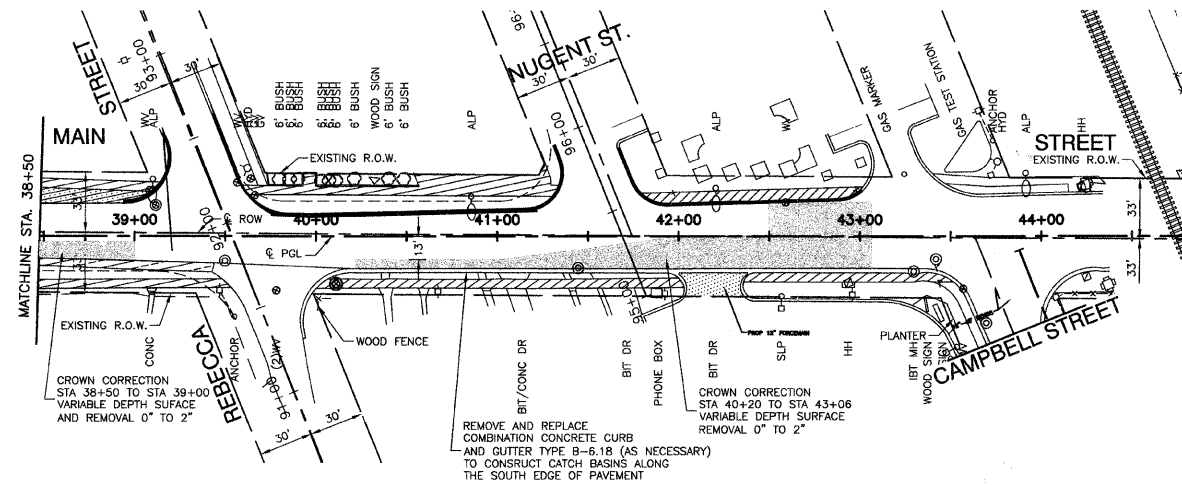


LEGEND

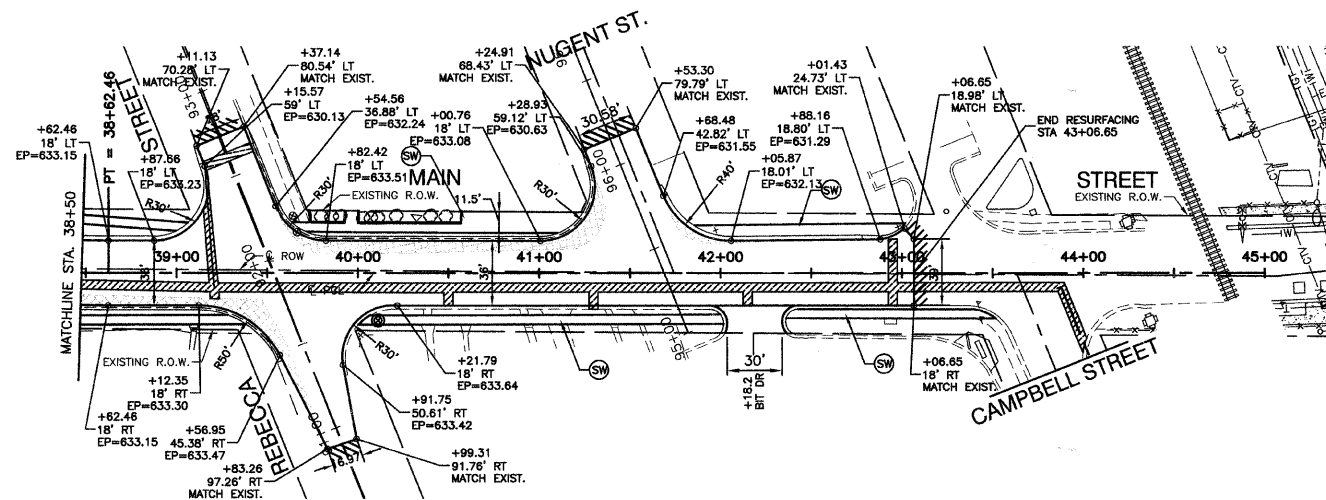
- HMA SURFACE REMOVAL
- SIDEWALK REMOVAL
- DRIVEWAY PAVEMENT REMOVAL
- SHOULDER REMOVAL
- PAVEMENT REMOVAL
- COMB. CURB AND GUTTER REMOVAL
- PAVEMENT WIDENING
- CLASS D PATCHES
- 10' BUTT JOINTS
- P.C.C. SIDEWALK-5"
- TREE REMOVAL

NOTES

1. ALL HMA DRIVEWAYS SHALL CONSIST OF HOT-MIX ASPHALT SURFACE COURSE, MIX "C", N50-2", AND HOT-MIX ASPHALT BASE COURSE-6".
2. ALL PROPOSED COMBINATION CONCRETE CURB AND GUTTER SHALL BE TYPE B-6.24 UNLESS OTHERWISE NOTED.



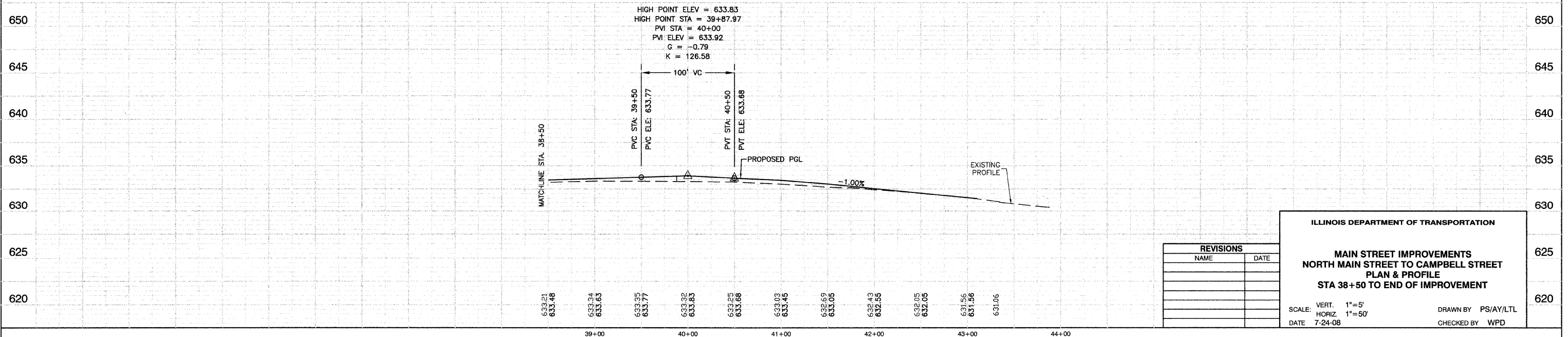
EXISTING CONDITIONS



PROPOSED IMPROVEMENTS

BENCH MARK: #96

N FLANGE OF HYD N SIDE GLENWOOD CHICAGO HEIGHTS RD
BETWEEN GLENWOOD OAKS AND FOREST PRESERVE
ELEVATION = 621.80



REVISIONS	
NAME	DATE

ILLINOIS DEPARTMENT OF TRANSPORTATION

**MAIN STREET IMPROVEMENTS
NORTH MAIN STREET TO CAMPBELL STREET
PLAN & PROFILE
STA 38+50 TO END OF IMPROVEMENT**

SCALE: VERT. 1"=5'
HORIZ 1"=50'

DATE 7-24-08

DRAWN BY PS/AY/LTL
CHECKED BY WPD