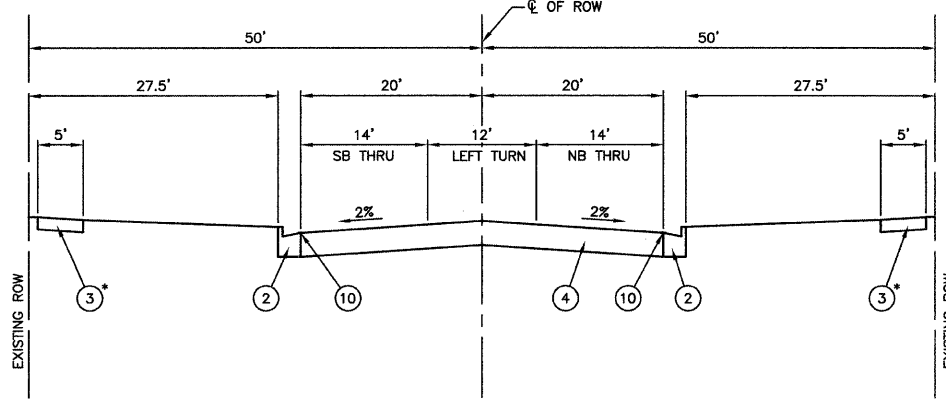
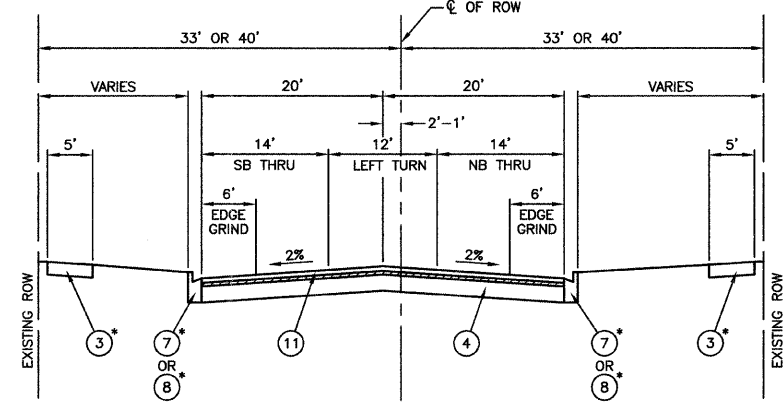


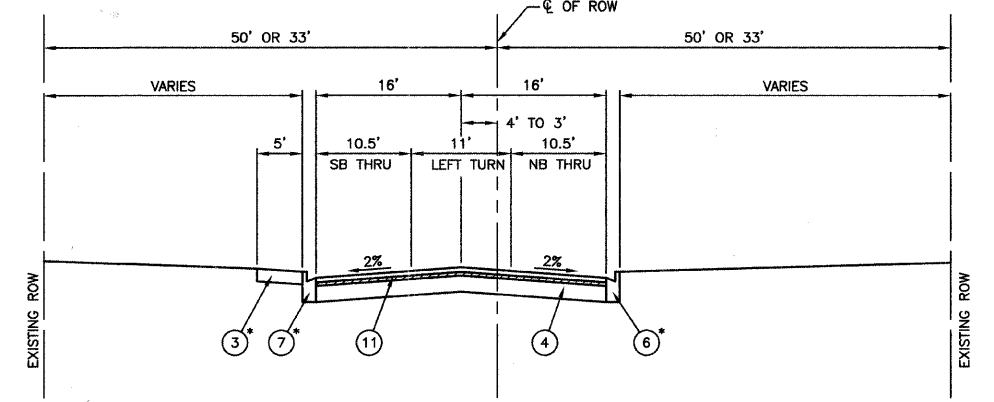
CONTRACT #63079



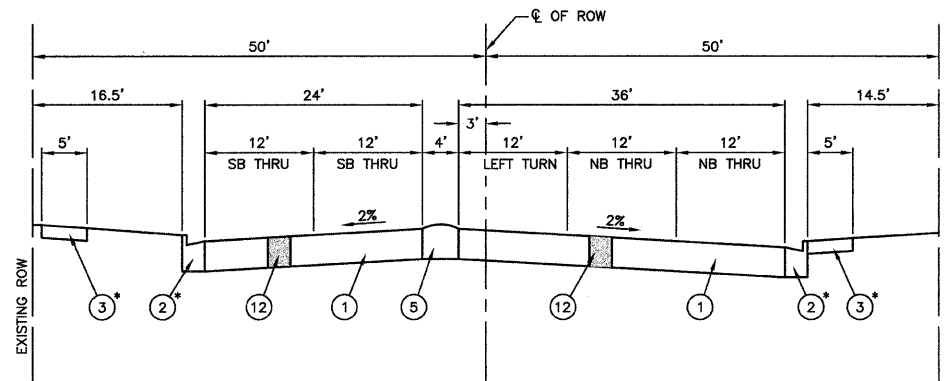
TYPICAL CROSS SECTION  
STA 0+00 TO STA 27+06



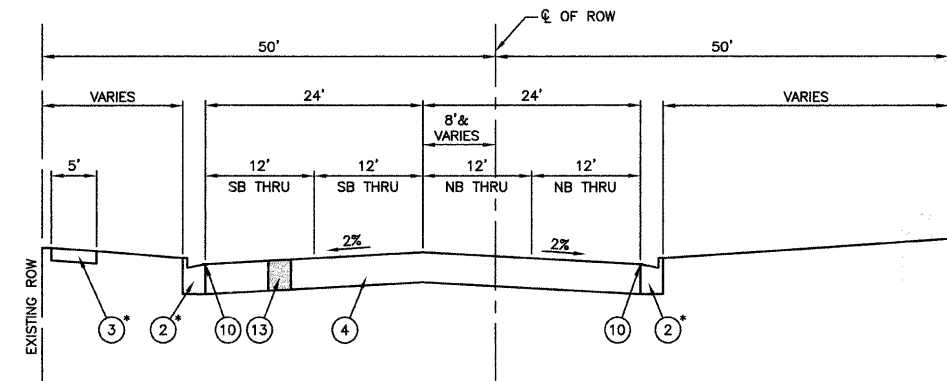
TYPICAL CROSS SECTION  
STA 27+06 TO STA 78+66



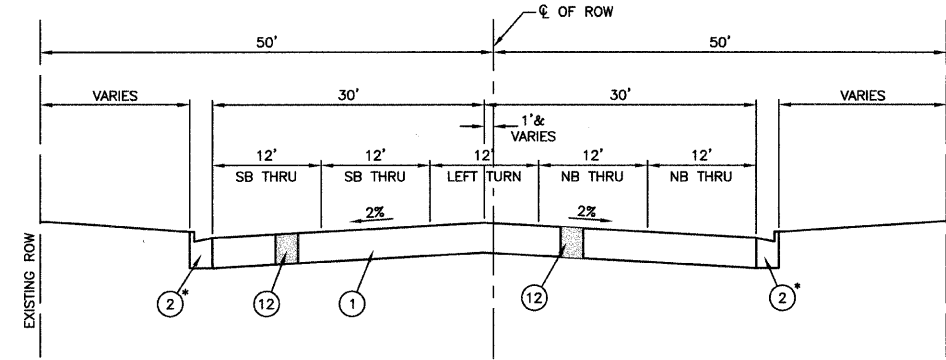
TYPICAL CROSS SECTION  
STA 83+10 TO STA 99+96



TYPICAL CROSS SECTION  
STA 99+96 TO STA 111+39



TYPICAL CROSS SECTION  
STA 111+39 TO STA 149+22



TYPICAL CROSS SECTION  
STA 149+22 TO STA 158+45

LEGEND

- ① EXISTING CONCRETE PAVEMENT - 12"
- ② EXISTING CURB AND GUTTER - TYPE B-6.24
- ③ EXISTING CONCRETE SIDEWALK
- ④ EXISTING HMA PAVEMENT - 10" ±
- ⑤ EXISTING CONCRETE MEDIAN
- ⑥ EXISTING CURB AND GUTTER - TYPE B-9.12
- ⑦ EXISTING CURB AND GUTTER - TYPE M-6.12
- ⑧ EXISTING CURB AND GUTTER - TYPE B-6.12
- ⑨ EXISTING CURB TYPE B
- ⑩ EDGE CRACK FILLING
- ⑪ HOT-MIX ASPHALT SURFACE COURSE, MIX "D", N70 - 1 1/2"
- ⑫ CLASS B PATCHES, 10"
- ⑬ CLASS D PATCHES, 10"

▨ 3/4" DEPTH OF HEATING, SCARIFICATION, ADDING REJUVENATING AGENT AND RECOMPACTING (SEE SPECIAL PROVISION)

\*ITEM TO BE REMOVED AND REPLACED AS SHOWN ON THE PLANS AND AS DIRECTED BY THE ENGINEER.

\*\*TYPE B CURB AND GUTTER TO BE REPLACED WITH TYPE B-6.12 CURB AND GUTTER.

HOT-MIX ASPHALT MIXTURE REQUIREMENTS		
MIXTURE TYPE	AC TYPE	AIR VOIDS
HOT-MIX ASPHALT SURFACE COURSE, MIX "D", N70 (IL-9.5mm); 1 1/2"	PG 64-22	4% AT 70 Gyr.
DRIVEWAYS		
HOT-MIX ASPHALT SURFACE COURSE, MIX "C", N50 (IL 9.5mm); 2"	PG 64-22	4% AT 50 Gyr
HOT-MIX ASPHALT BASE COURSE, (HMA BINDER IL-19mm); 6"	*PG 64-22	4% AT 50 Gyr
PATCHING		
CLASS D PATCHES (HMA BINDER, IL-19mm), 10"	*PG 64-22	4% AT 70 Gyr

THE UNIT WEIGHT USED TO CALCULATE ALL HOT-MIX ASPHALT SURFACE MIXTURE QUANTITIES IS 112 lbs/sq yd/ in.  
\*WHEN RAP EXCEEDS 20%, THE NEW ASPHALT BINDER IN THE MIX SHALL BE PG 58-22

\*Revised 10-6-08

REVISIONS	
NAME	DATE

ILLINOIS DEPARTMENT OF TRANSPORTATION

OAK PARK AVENUE STREET RESURFACING TYPICAL CROSS SECTIONS

SCALE: VERT. NA  
HORIZ. NA  
DATE: 07/30/08

DRAWN BY: AG  
CHECKED BY: WPD

ROBINSON ENGINEERING, LTD.  
1700 SOUTH PARK AVENUE SOUTH HOLLAND, ILLINOIS 60473  
(708) 381-6710 FAX (708) 381-8628  
ILLINOIS DESIGN FIRM REGISTRATION NO. 18060128