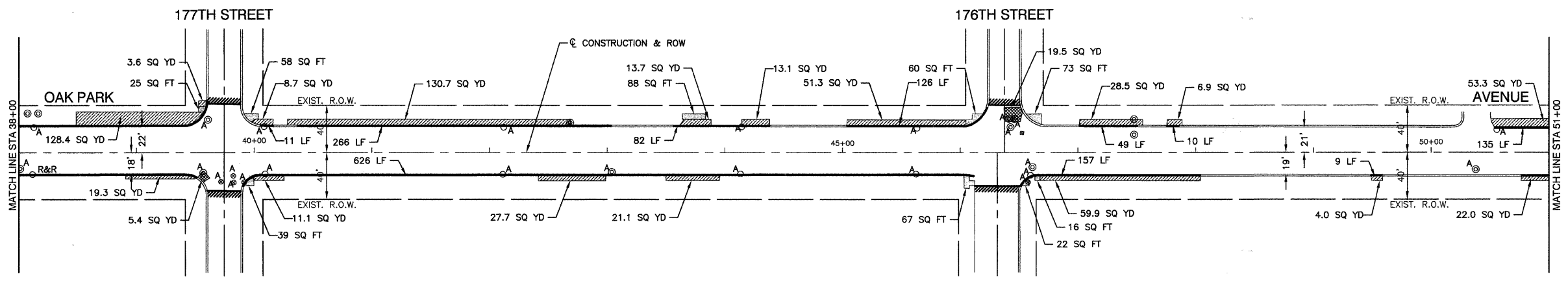
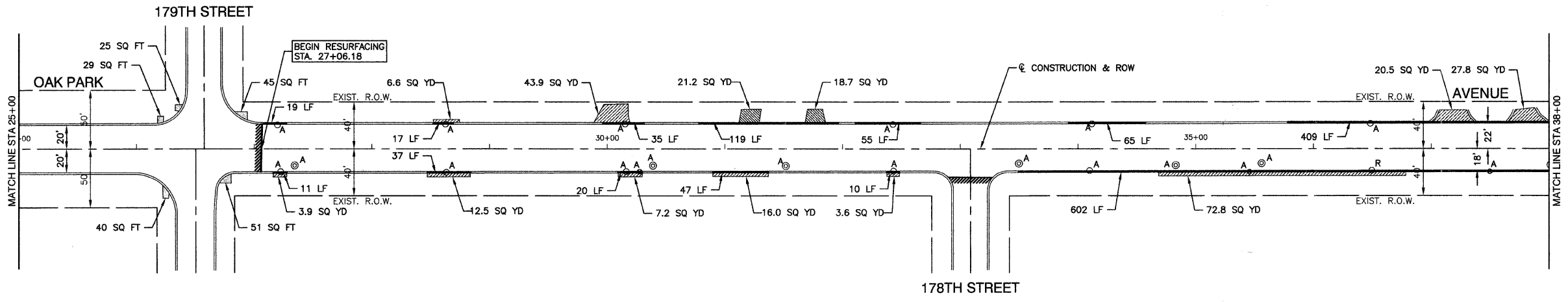


F. A. U. RTE.	SECTION	COUNTY	TOTAL SHEETS	SHEET NO.
2774	08-00106-00-RS	COOK	019	005
STA.		TO STA.		
FED. ROAD DIST. NO.		ILLINOIS	FED. AID PROJECT	

CONTRACT #63079



NOTE:
LIMIT OF CONSTRUCTION ON ALL SIDE STREETS IS THE RADIUS RETURN PLUS 10' BUTT JOINT

LEGEND

	CLASS D PATCHES
	CLASS B PATCHES
	HMA DRIVEWAY REMOVAL AND REPLACEMENT
	CONCRETE DRIVEWAY REMOVAL AND REPLACEMENT
	CONCRETE SIDEWALK REMOVAL AND REPLACEMENT
	BUTT JOINTS
	CURB & GUTTER REMOVAL AND REPLACEMENT
	STRUCTURE TO BE ADJUSTED
	STRUCTURE TO BE RECONSTRUCTED
	STRUCTURE TO BE REMOVED AND REPLACED
	DETECTOR LOOP

*Revised 10-6-08

REVISIONS	
NAME	DATE

ILLINOIS DEPARTMENT OF TRANSPORTATION

OAK PARK AVENUE STREET RESURFACING PAVEMENT PLANS

SCALE: VERT. NA
HORIZ. 1"=50'

DATE: 07/30/08

DRAWN BY: AG
CHECKED BY: WPD

ROBINSON ENGINEERING, LTD.
1700 SOUTH PARK AVENUE, SOUTH HOLLAND, ILLINOIS 60473
(708) 321-6700 FAX (708) 321-3626
ILLINOIS DESIGN FIRM REGISTRATION NO. 126021128 07604-PLAN-01 - P02