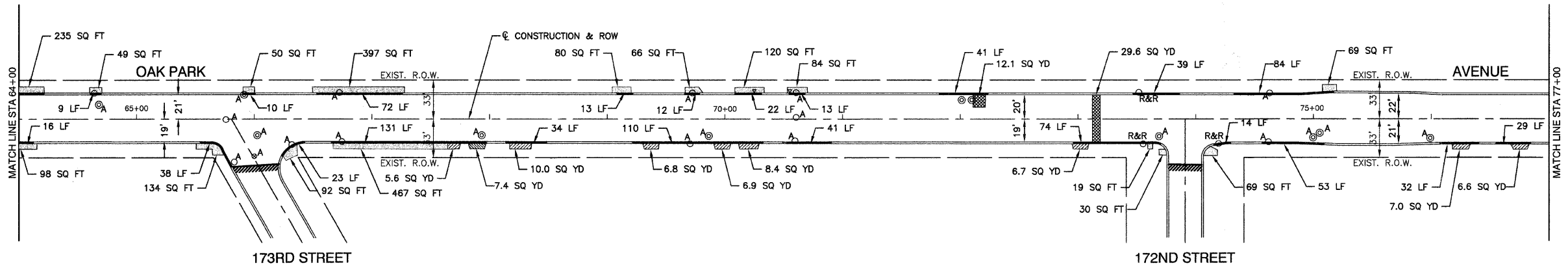
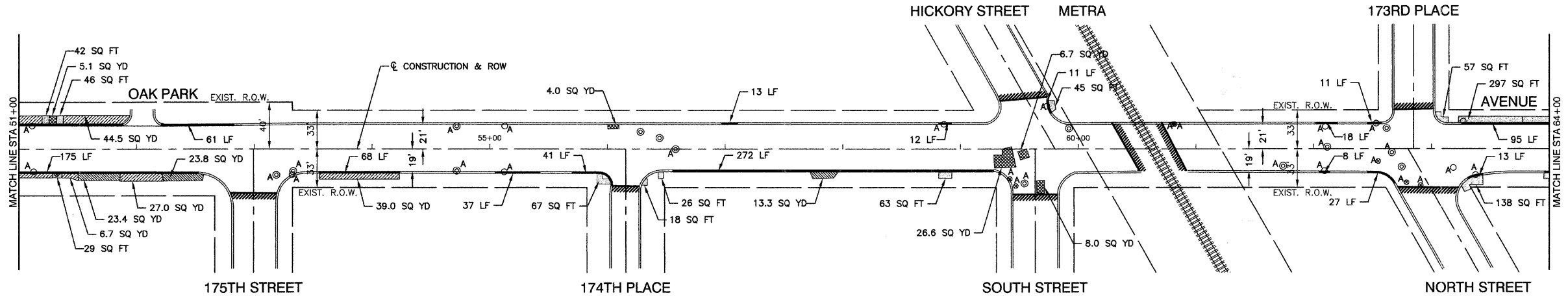
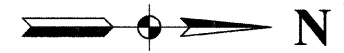


F. A. U. RITE	SECTION	COUNTY	TOTAL SHEETS	SHEET NO.
2774	08-00106-00-RS	COOK	019	008
STA.		TO STA.		
FED. ROAD DIST. NO.	ILLINOIS	FED. AID PROJECT		

CONTRACT #63079



NOTE:
LIMIT OF CONSTRUCTION ON ALL SIDE STREETS IS THE RADIUS RETURN PLUS 10' BUTT JOINT

LEGEND

- CLASS D PATCHES
- CLASS B PATCHES
- HMA DRIVEWAY REMOVAL AND REPLACEMENT
- CONCRETE DRIVEWAY REMOVAL AND REPLACEMENT
- CONCRETE SIDEWALK REMOVAL AND REPLACEMENT
- BUTT JOINTS
- CURB & GUTTER REMOVAL AND REPLACEMENT
- STRUCTURE TO BE ADJUSTED
- STRUCTURE TO BE RECONSTRUCTED
- STRUCTURE TO BE REMOVED AND REPLACED
- DETECTOR LOOP

*Revised 10-6-08

REVISIONS	
NAME	DATE

ILLINOIS DEPARTMENT OF TRANSPORTATION

OAK PARK AVENUE STREET RESURFACING PAVEMENT PLANS

SCALE: VERT. NA
HORIZ. 1"=50'

DATE: 07/30/08

DRAWN BY: AG
CHECKED BY: WPD

ROBINSON ENGINEERING, LTD.
13000 SOUTH PARK AVENUE SOUTH HOLLAND, ILLINOIS 60473
(708) 321-6700 FAX (708) 321-3828
ILLINOIS DESIGN FIRM REGISTRATION NO. 124601128 07604-PLAN-01 - P03