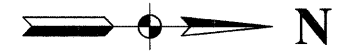


F. A. U. NO.	SECTION	COUNTY	TOTAL SHEETS	SHEET NO.
2774	08-00106-00-RS	COOK	019	008
STA.	TO STA.			
FED. ROAD DIST. NO.	ILLINOIS	FED. AID PROJECT		

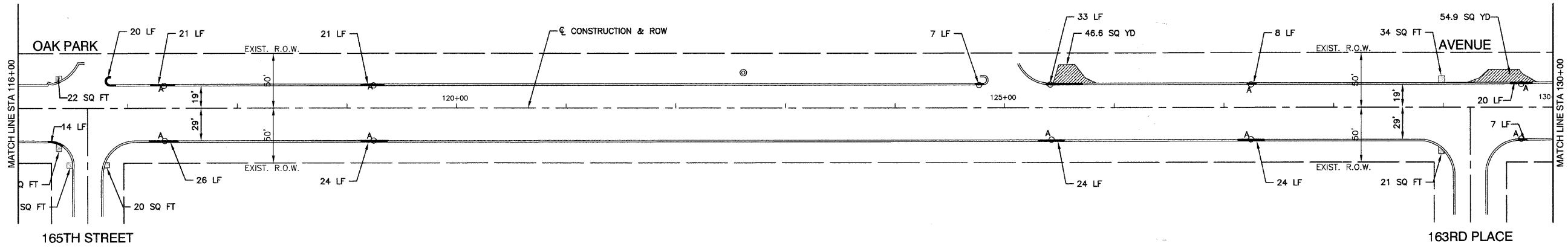
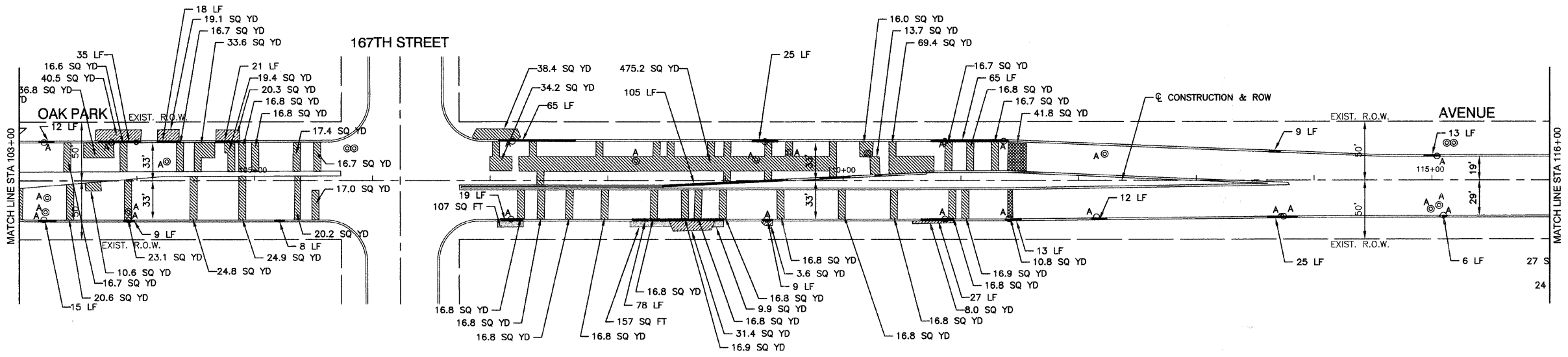
CONTRACT #63079



NOTE:
LIMIT OF CONSTRUCTION ON ALL SIDE STREETS IS THE RADIUS RETURN PLUS 10' BUTT JOINT

LEGEND

	CLASS D PATCHES
	CLASS B PATCHES
	HMA DRIVEWAY REMOVAL AND REPLACEMENT
	CONCRETE DRIVEWAY REMOVAL AND REPLACEMENT
	CONCRETE SIDEWALK REMOVAL AND REPLACEMENT
	BUTT JOINTS
	CURB & GUTTER REMOVAL AND REPLACEMENT
A	STRUCTURE TO BE ADJUSTED
R	STRUCTURE TO BE RECONSTRUCTED
R&R	STRUCTURE TO BE REMOVED AND REPLACED
	DETECTOR LOOP



REVISIONS	
NAME	DATE

*Revised 10-6-08

ILLINOIS DEPARTMENT OF TRANSPORTATION

**OAK PARK AVENUE
STREET RESURFACING
PAVEMENT PLANS**

SCALE: VERT. NA
HORIZ 1"=50'
DATE 07/30/08
DRAWN BY AG
CHECKED BY WPD