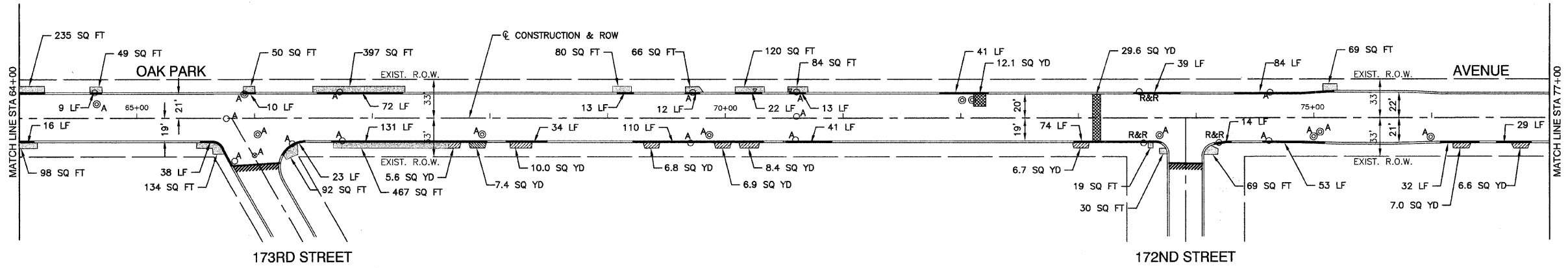
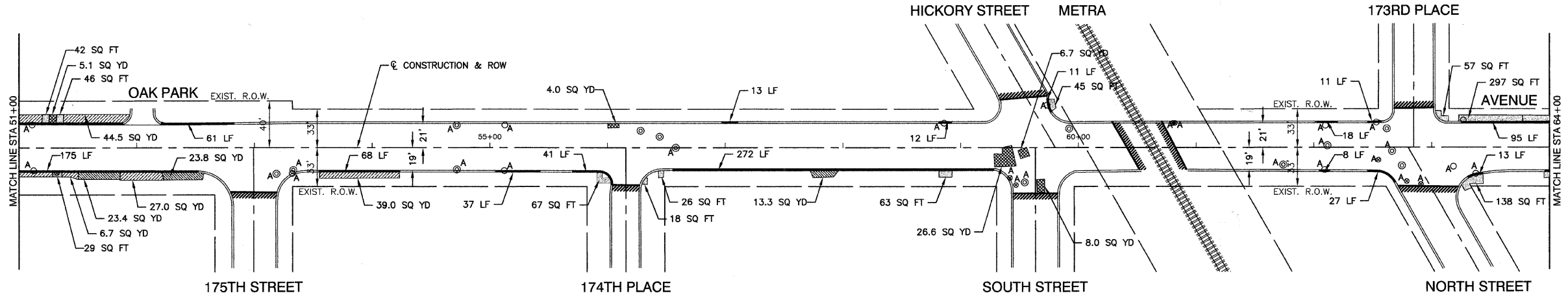


F. A. U. RITE.	SECTION	COUNTY	TOTAL SHEETS	SHEET NO.
2774	08-00106-00-RS	COOK	019	006
STA.		TO STA.		
FED. ROAD DIST. NO.	ILLINOIS	FED. AID PROJECT		

CONTRACT #63079



NOTE:
LIMIT OF CONSTRUCTION ON ALL SIDE STREETS IS THE RADIUS RETURN PLUS 10' BUTT JOINT

LEGEND

	CLASS D PATCHES
	CLASS C PATCHES
	HMA DRIVEWAY REMOVAL AND REPLACEMENT
	CONCRETE DRIVEWAY REMOVAL AND REPLACEMENT
	CONCRETE SIDEWALK REMOVAL AND REPLACEMENT
	BUTT JOINTS
	CURB & GUTTER REMOVAL AND REPLACEMENT
	STRUCTURE TO BE ADJUSTED
	STRUCTURE TO BE RECONSTRUCTED
	STRUCTURE TO BE REMOVED AND REPLACED
	DETECTOR LOOP

REVISIONS	
NAME	DATE

ILLINOIS DEPARTMENT OF TRANSPORTATION

OAK PARK AVENUE STREET RESURFACING PAVEMENT PLANS

SCALE: VERT. NA
HORIZ. 1"=50'

DATE: 07/30/08

DRAWN BY: AG
CHECKED BY: WPD