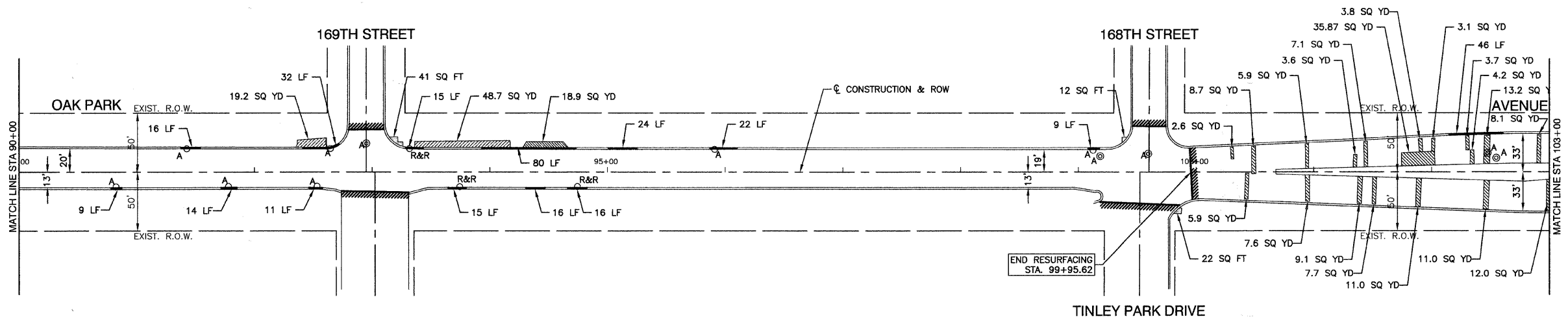
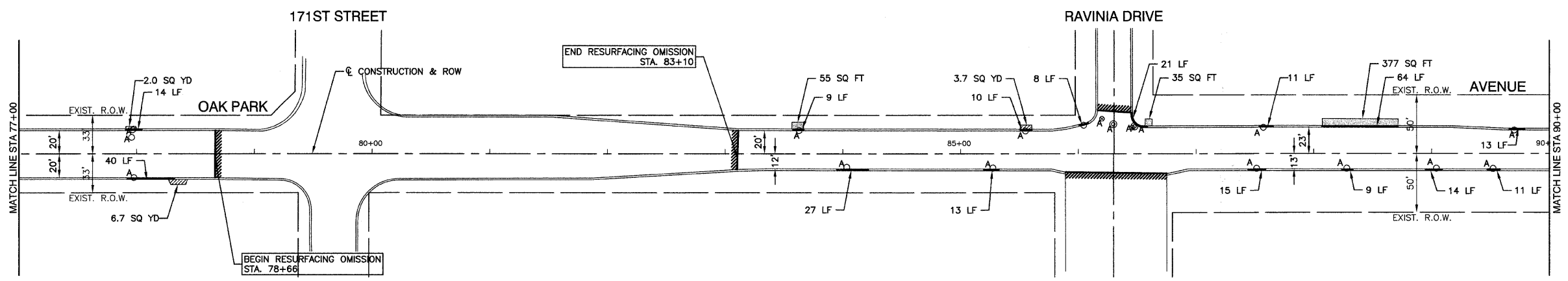


F. A. U. RITE.	SECTION	COUNTY	TOTAL SHEETS	SHEET NO.
2774	08-00106-00-RS	COOK	019	007
STA.		TO STA.		
FED. ROAD DIST. NO.		ILLINOIS	FED. AID PROJECT	

CONTRACT #63079



**NOTE:**  
LIMIT OF CONSTRUCTION ON ALL SIDE STREETS IS THE RADIUS RETURN PLUS 10' BUTT JOINT

- LEGEND**
- CLASS D PATCHES
  - CLASS C PATCHES
  - HMA DRIVEWAY REMOVAL AND REPLACEMENT
  - CONCRETE DRIVEWAY REMOVAL AND REPLACEMENT
  - CONCRETE SIDEWALK REMOVAL AND REPLACEMENT
  - BUTT JOINTS
  - CURB & GUTTER REMOVAL AND REPLACEMENT
  - STRUCTURE TO BE ADJUSTED
  - STRUCTURE TO BE RECONSTRUCTED
  - STRUCTURE TO BE REMOVED AND REPLACED
  - DETECTOR LOOP

REVISIONS	
NAME	DATE

ILLINOIS DEPARTMENT OF TRANSPORTATION

**OAK PARK AVENUE STREET RESURFACING PAVEMENT PLANS**

SCALE: VERT. NA  
HORIZ. 1"=50'

DATE: 07/30/08

DRAWN BY: AG  
CHECKED BY: WPD