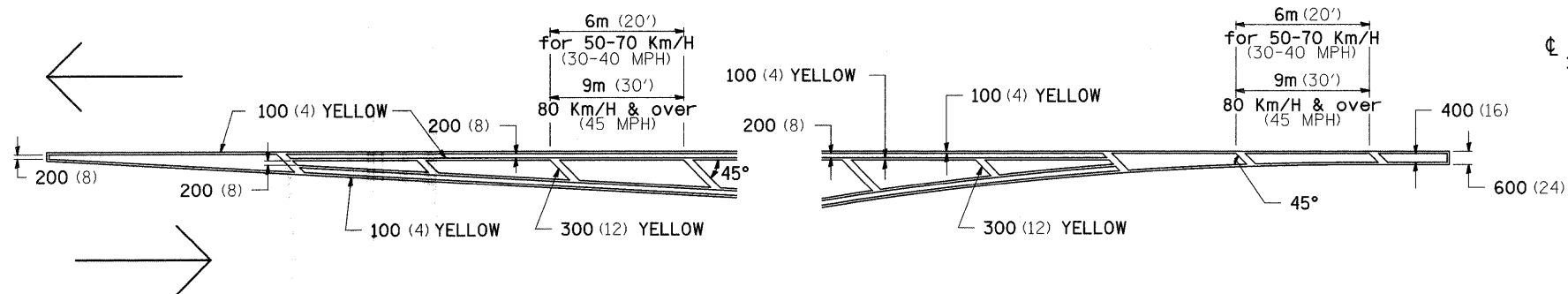
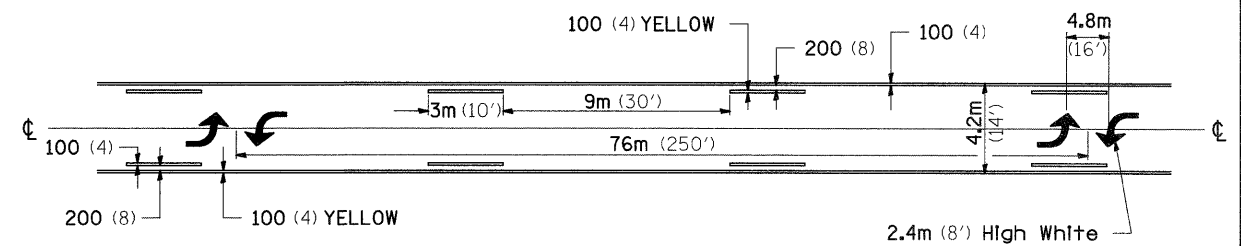


TYPICAL PAVEMENT MARKINGS

TYPICAL PAVEMENT MARKING FOR FLUSH MEDIAN AT LEFT TURN LANE

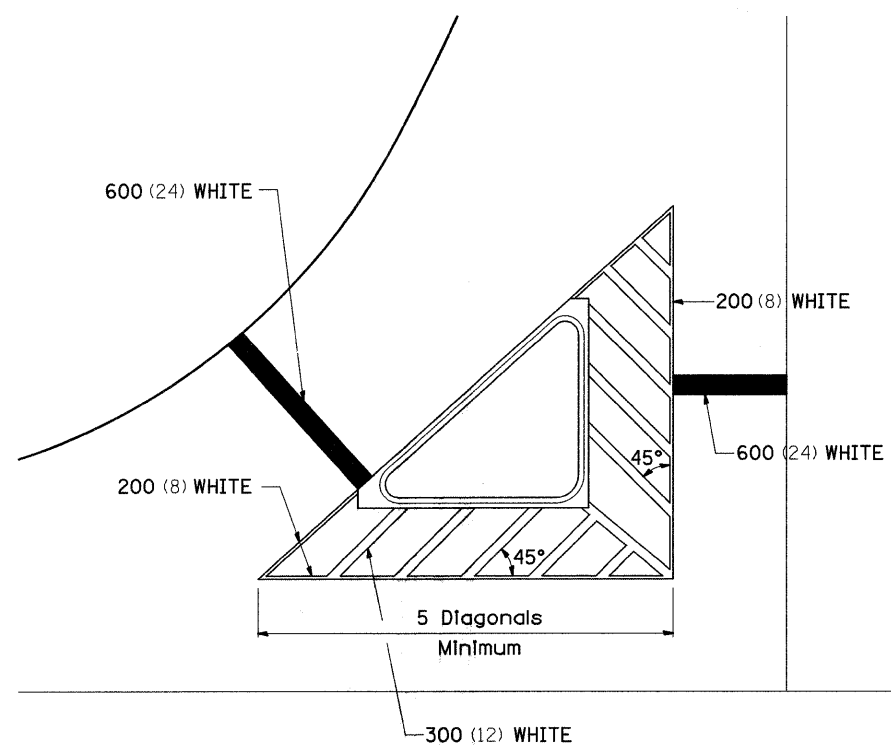


MEDIAN PAVEMENT MARKING

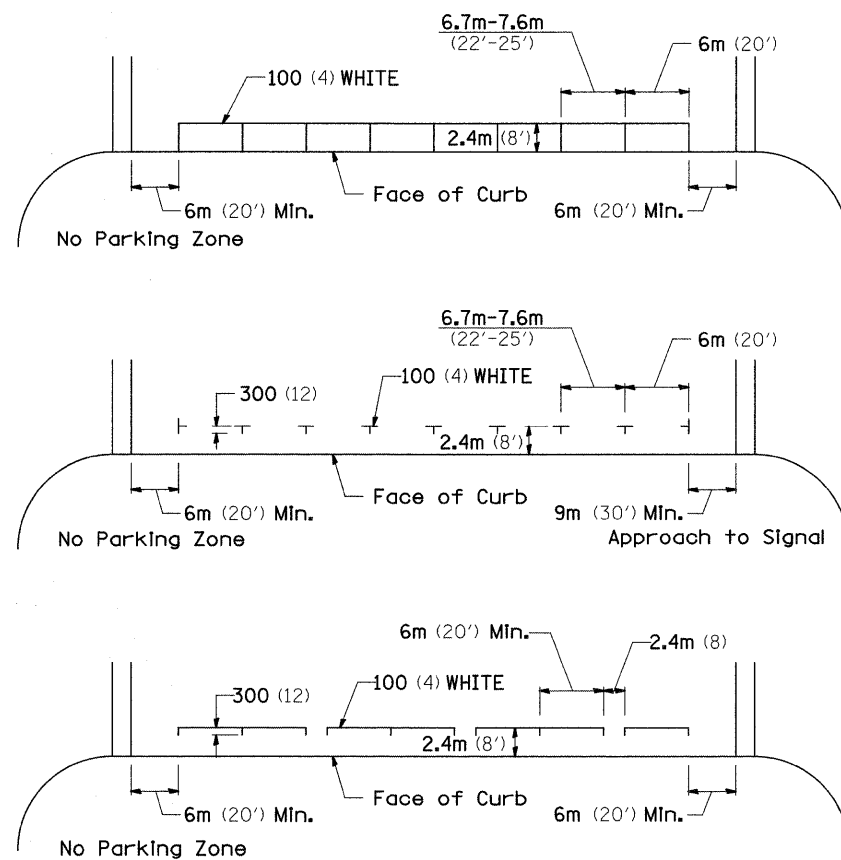


** ALL DIMENSIONS ARE IN MILLIMETERS (INCHES) UNLESS OTHERWISE NOTED.

TYPICAL ISLAND OFFSET SHOULDER WIDTH

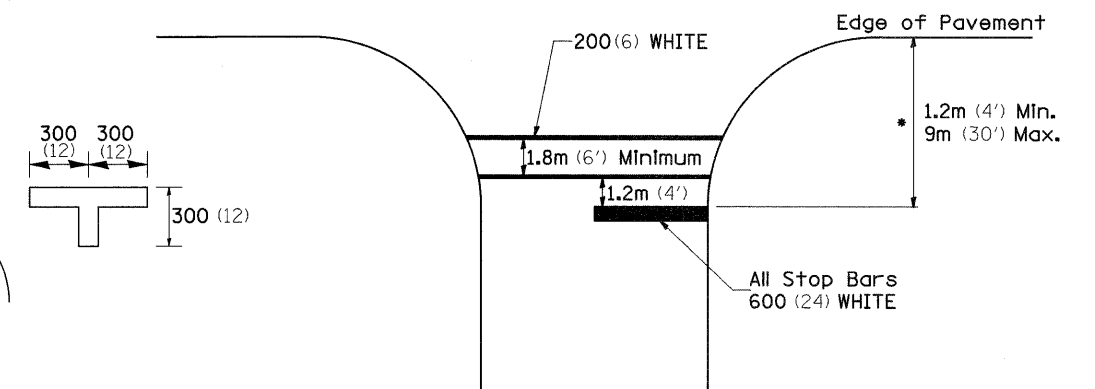


TYPICAL PARKING SPACING



STANDARD CROSSWALK MARKING

See Schedules for Locations



* Distance to the nearest edge of the intersecting roadway in the absence of a marked crosswalk.

FILE NAME =	USER NAME = grantpm	DESIGNED -	REVISED - 1-11-08	STATE OF ILLINOIS DEPARTMENT OF TRANSPORTATION	REGION 2 / DISTRICT 2 STANDARD			F.A.S RTE. 2076	SECTION 101T-1	COUNTY CARROLL	TOTAL SHEETS 31	SHEET NO. 25			
ct:\projects\p202604\d02604sp1.dgn	PLOT SCALE = 50,0000 / IN.	DRAWN -	REVISED -					SCALE:	SHEET NO.	OF	SHEETS	STA.	TO STA.	FED. ROAD DIST. NO.	ILLINOIS FED. AID PROJECT
	PLOT DATE = Fri Aug 01 13:21:24 2008	CHECKED -	REVISED -					TYPICAL PAVEMENT MARKINGS SHEET 1 OF 2 41.1							
		DATE -	REVISED -												