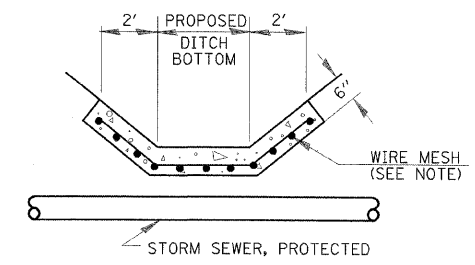
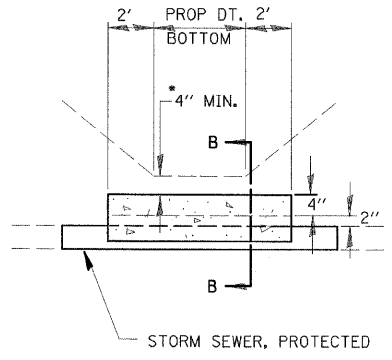
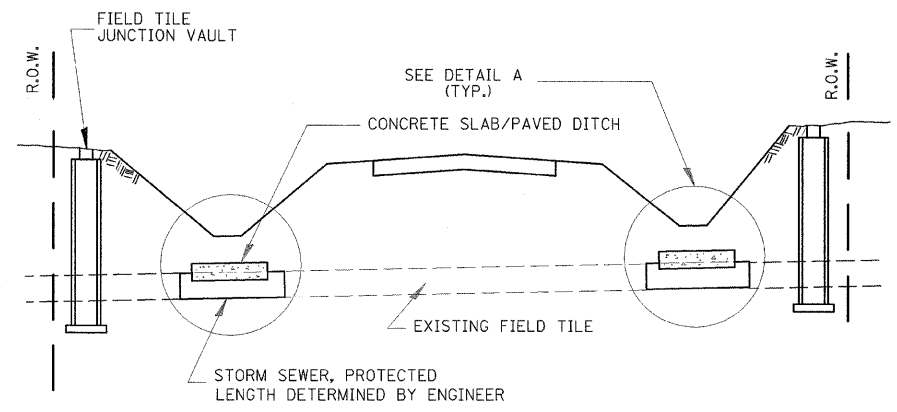
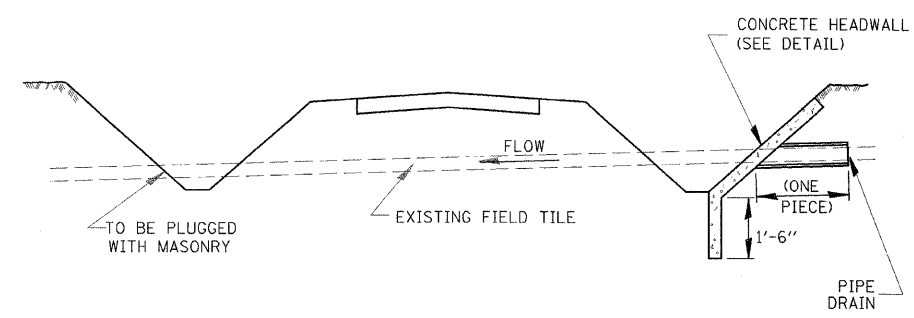


FAS RTE	SECTION	COUNTY	TOTAL SHEETS	SHEET NO.
338	34BR	IROQUOIS	49	23
STA.		TO STA.		
FED. ROAD DIST. NO.		ILLINOIS FED. AID PROJECT		

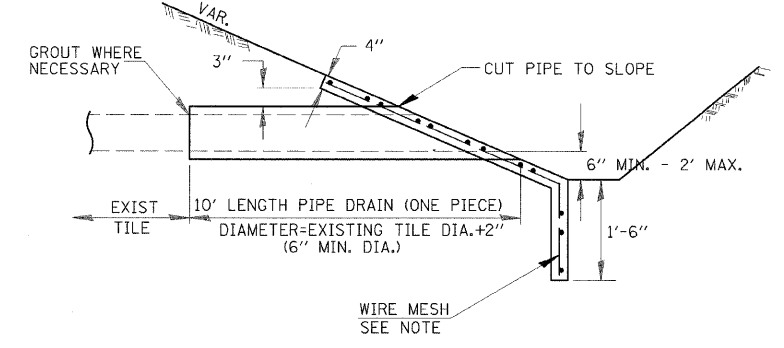
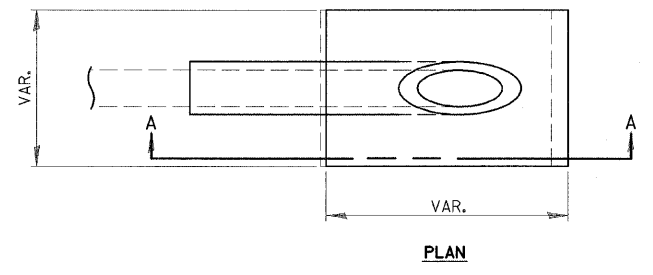
ALTERNATE MATERIALS FOR WALLS	T
PRECAST REINFORCED CONCRETE RISERS	4"
CONCRETE MASONRY UNIT	5"
MONOLITHIC CONCRETE	6"
BUILDING BRICK, GRADE SW FROM CLAY OR SHALE	8"
CONCRETE BUILDING BRICK, GRADE A	8"



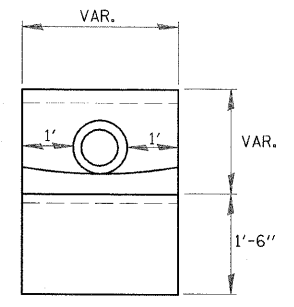
DETAIL C
NO SCALE



FIELD TILE REPLACEMENT



SECTION A-A



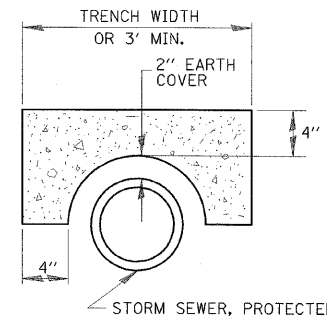
END VIEW

DETAIL A
NO SCALE

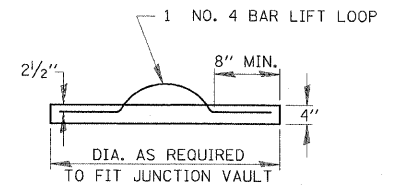
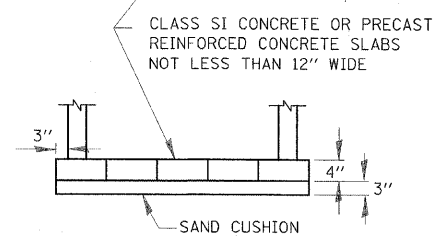
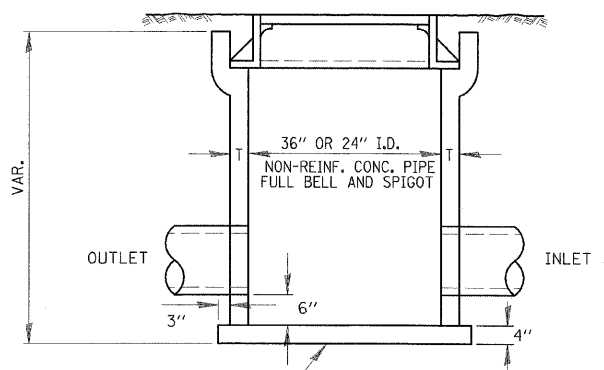
- *IF A 4" COVER CAN NOT BE PROVIDED A PAVED DITCH SHALL BE CONSTRUCTED AS SHOWN IN DETAIL C.
- NOTES**
1. WIDTH OF CONCRETE SLAB SHALL BE THE SAME AS THE TRENCH WIDTH IN ACCORDANCE WITH SECTION 550 OF THE STD. SPECIFICATIONS, OR 3' MIN.
 2. CONCRETE FOR SLAB, HEADWALL AND PAVED DITCH SHALL BE PAID FOR AT THE CONTRACT UNIT PRICE PER CUBIC YARD FOR MISCELLANEOUS CONCRETE.
 3. COST OF FURNISHING AND INSTALLING WIRE MESH SHALL BE INCLUDED IN THE CONTRACT UNIT PRICE PER CUBIC YARD FOR MISCELLANEOUS CONCRETE. WIRE MESH TO WEIGH NOT LESS THAN 58# PER 100 SQ. FT.

NOTES

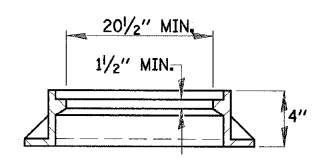
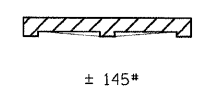
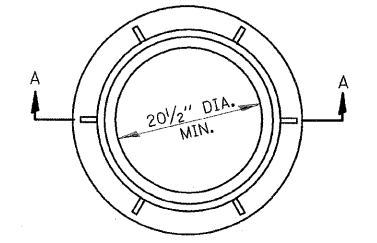
1. ANY STORM SEWER OR FIELD TILE OUTLET INTO A DITCH SHALL HAVE A HEADWALL BUILT IN ACCORDANCE WITH THIS DETAIL.
2. COST OF FURNISHING AND INSTALLING WIRE MESH SHALL BE INCLUDED IN THE CONTRACT UNIT PRICE PER CUBIC YARD FOR MISCELLANEOUS CONCRETE. WIRE MESH TO WEIGH NOT LESS THAN 58# PER 100 SQ. FT.



SECTION B-B



FIELD TILE JUNCTION VAULT



SECTION A-A

ESCA
CONSULTANTS, INC.

DESIGNED BY:	ELH	08/05
DRAWN BY:	HAG	08/05
CHECKED BY:	ELH	04/06
APPROVED BY:	RDP	04/06

CLASS SI CONCRETE HEADWALLS

FIELD TILE DETAILS
FAS RTE 338 (US 45)
SECTION 34BR
IROQUOIS COUNTY