

ROUTE NO.	SECTION	COUNTY	TOTAL SHEETS	SHEET NO.
FAS 338	34BR	IROQUOIS	49	33
STA	TO STA			
FED. ROAD DIST. NO. 3	ILLINOIS	FED. AID PROJECT		
DWG. NO. 10 OF 13				

CONTRACT NO. 66610

**STRUCTURE INDEX OF SHEETS**

General Plan	Dwg. No. 1 of 13
General Data	Dwg. No. 2 of 13
Stage Construction Details	Dwg. No. 3 of 13
Temporary Concrete Barrier	Dwg. No. 4 of 13
Top of Slab Elevations	Dwg. No. 5 of 13
Superstructure	Dwg. No. 6 of 13
Superstructure Details	Dwg. No. 7-8 of 13
Abutments	Dwg. No. 9 of 13
Piers	Dwg. No. 10 of 13
Metal Shell Pile Details	Dwg. No. 11 of 13
Bar Splicer Assembly Details	Dwg. No. 12 of 13
Soil Borings	Dwg. No. 13 of 13

**NOTES**

1. Bars designated (E) shall be epoxy coated.
2. For concrete encasement details see Dwg. No. 11 of 13.

**BILL OF MATERIAL**

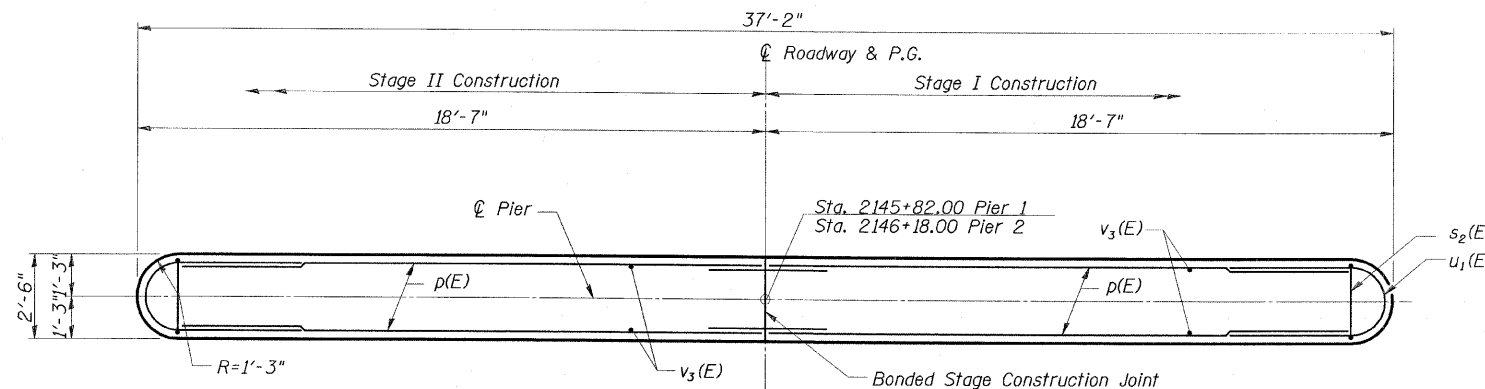
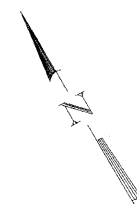
(FOR ONE PIER UNLESS NOTED OTHERWISE)

Bar	No.	Size	Length	Shape
$h_1(E)$	48	#5	17'-3"	—
$p(E)$	20	#7	17'-3"	—
$s_2(E)$	34	#4	9'-5"	□
$u_1(E)$	6	#6	10'-7"	U
$u_2(E)$	24	#5	7'-4"	U
$v_2(E)$	76	#5	13'-7"	—
$v_3(E)$	72	#5	3'-6"	—

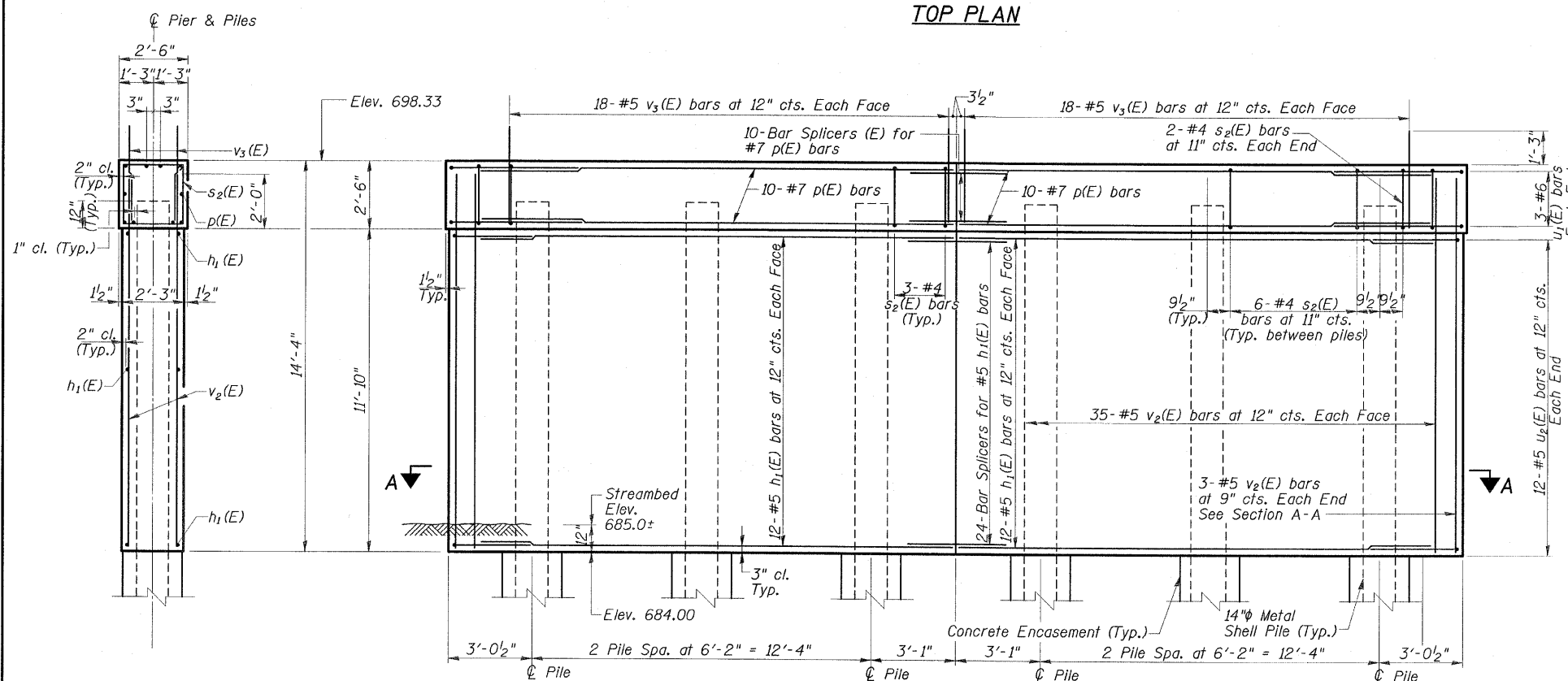
		Pier 1	Pier 2
Concrete Structures	Cu. Yd.	41.4	41.4
Reinforcement Bars, Epoxy Coated	Pound	3410	3410
Structure Excavation	Cu. Yd.	35	30
Furnishing Metal Shell Piles 14"x0.25"	Lin. Ft.	255	310
Driving Piles	Lin. Ft.	255	310
Bar Splicers	Each	34	34
Underwater Structure Excavation Protection-Location 1	Each	1	
Underwater Structure Excavation Protection-Location 2	Each		1
Test Pile	Each	1	1
Metal Shells			

**PIERS**

US ROUTE 45 OVER  
 SPRING CREEK  
 FAS ROUTE 338 - SECTION 34BR  
 IROQUOIS COUNTY  
 STATION 2146+00  
 STRUCTURE NO. 038-0214

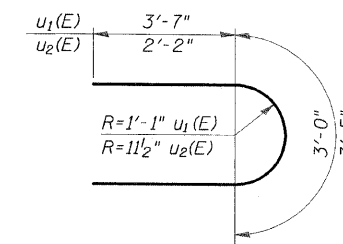


**TOP PLAN**

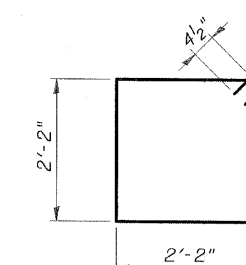


**ELEVATION**  
(Looking North)

**END VIEW**

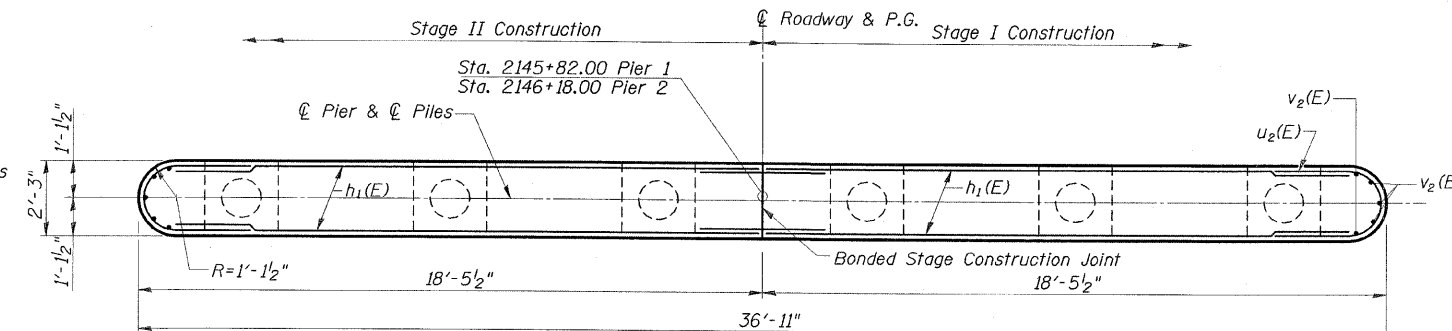


**BARS  $u_1(E)$  &  $u_2(E)$**



**BAR  $s_2(E)$**

**BAR BENDING DETAILS**



**SECTION A-A**

**PILE DATA**

Type & Size: Metal Shell -  
 14 in. dia. x 0.25 in. walls  
 Nominal Required Bearing: 360 kips  
 Allowable Resistance Available: 120 kips  
 Estimated Length: 51' (Pier 1)  
 62' (Pier 2)  
 No. Required: 5+1 test pile each pier; 12 total

**ESCA**  
 CONSULTANTS, INC.

DESIGNED BY:	ELH	12/04
DRAWN BY:	HAG	12/04
CHECKED BY:	ELH	09/08
APPROVED BY:	RDP	09/08