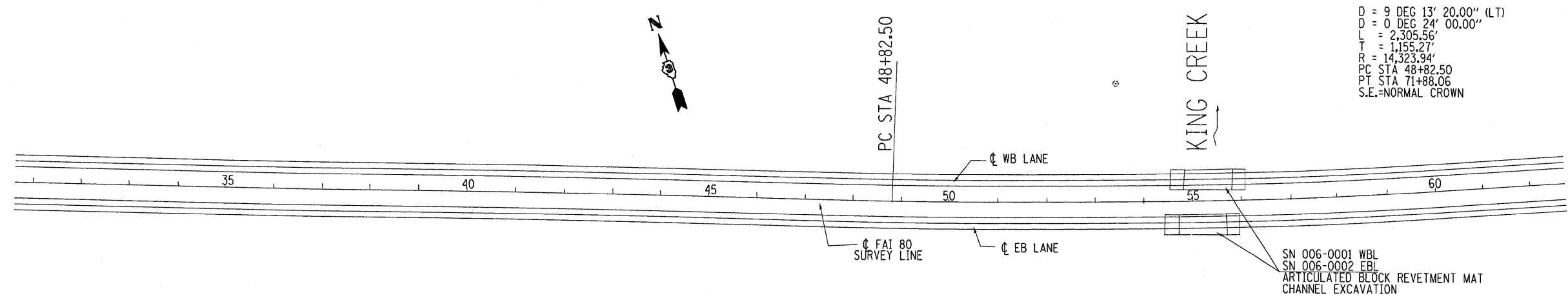
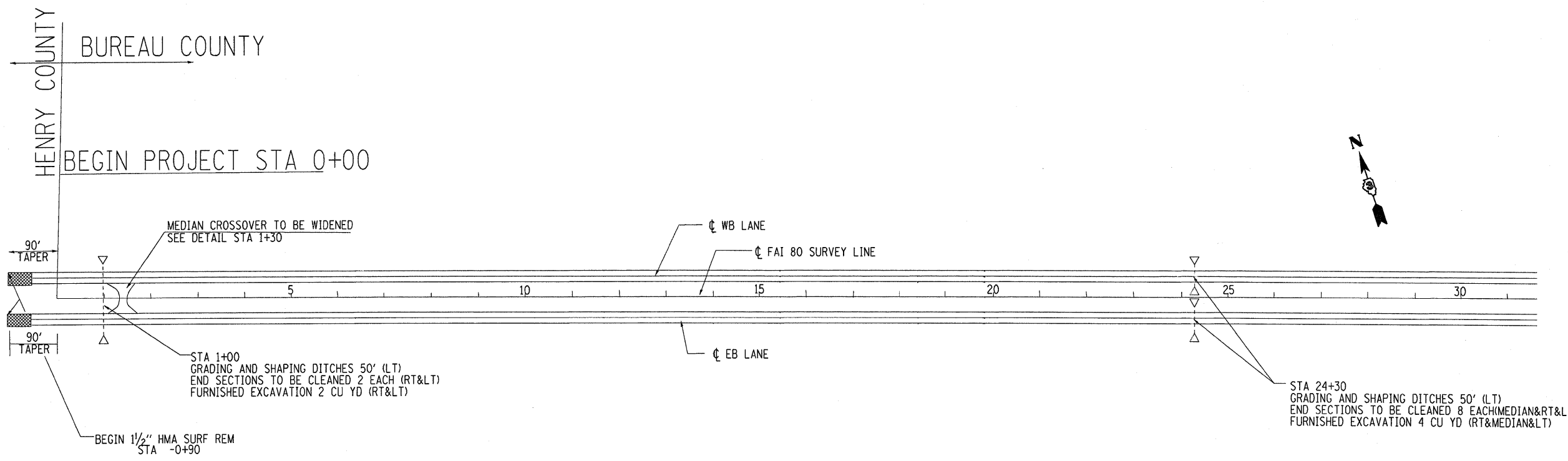


F.A.I. RTE.	SECTION	COUNTY	TOTAL SHEETS	SHEET NO.
80	(06-1,2)RS-3, I	BUREAU	116	18
STA. 401+00		TO STA. 431+00		
FED. ROAD DIST. NO.		ILLINOIS	FED. AID PROJECT	



PLOT DATE = Sep 22, 2008 - 03:11:18 PM
 FILE NAME = c:\pwworkspace\bor-abogge\dm32783\data\kudgn
 SCALE = 1/4" = 1' IN.
 USER NAME = bor-abogge