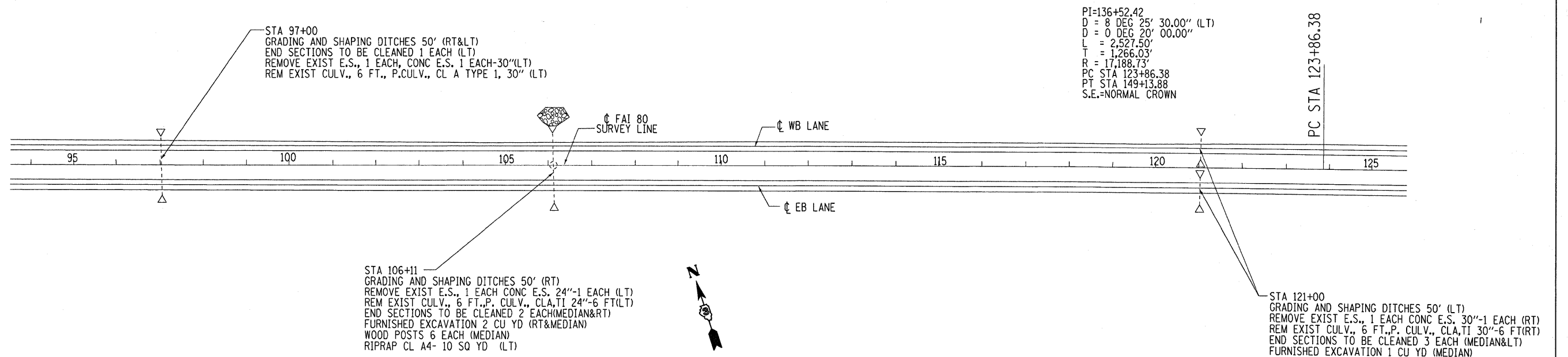
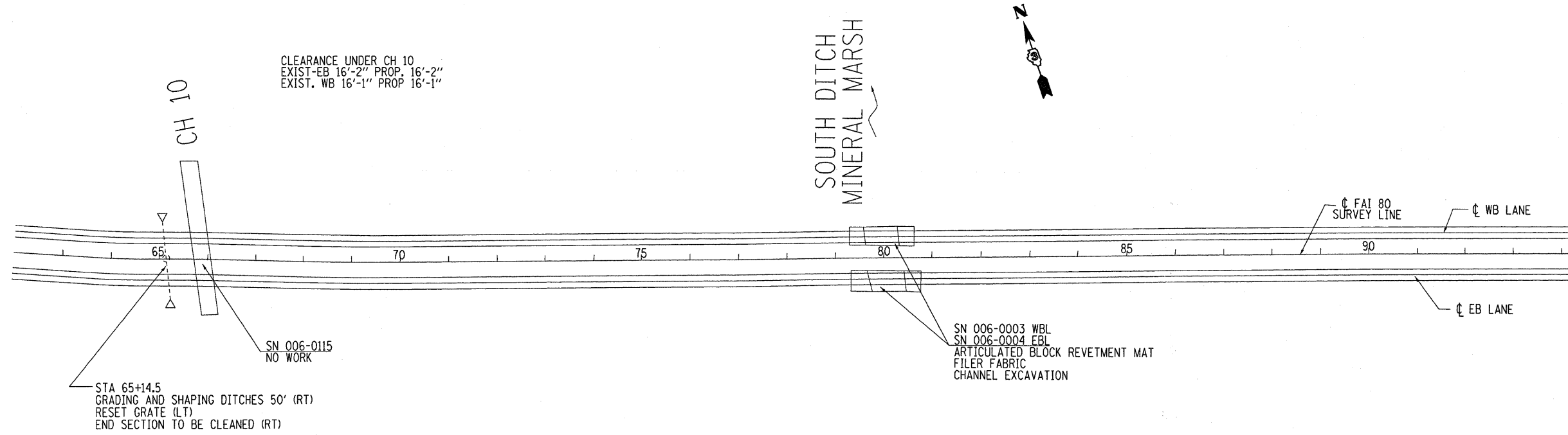


F.A.I. RTE.	SECTION	COUNTY	TOTAL SHEETS	SHEET NO.
80	106-1,2,3RS-3, I	BUREAU	109	19
STA. 401+00		TO STA. 431+00		
FED. ROAD DIST. NO.		ILLINOIS	FED. AID PROJECT	



PLOT DATE = Sep 22, 2008 - 03:11:30 PM
FILE NAME = c:\pwworkspace\pwworkspace\brabogge\msa32763\data\plan.dgn
PLOT SCALE = 1/4" = 100'
USER NAME = brabogge