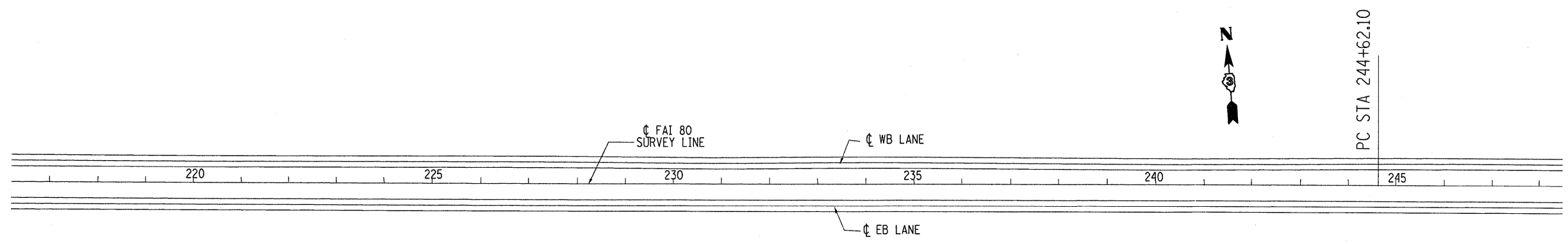
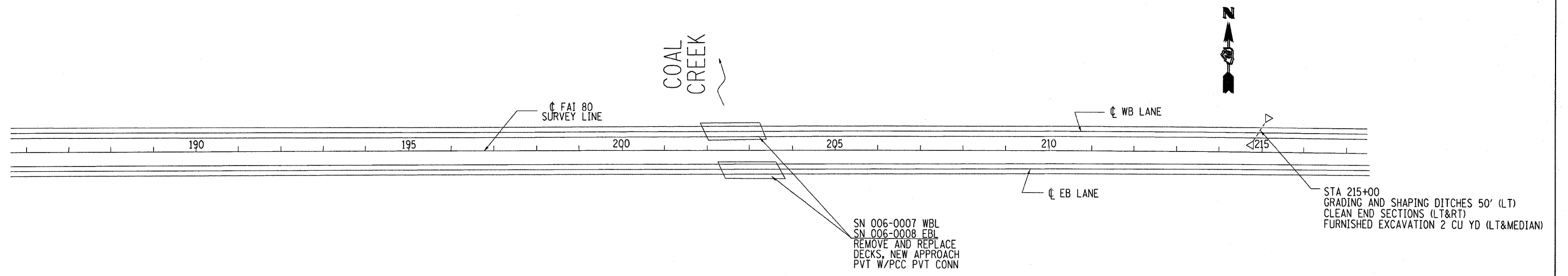


F.A.I. RTE.	SECTION	COUNTY	TOTAL SHEETS	SHEET NO.
80	106-1,2/RS-3, I	BUREAU	116	21
STA. 401+00		TO STA. 431+00		
FED. ROAD DIST. NO. ILLINOIS		FED. AID PROJECT		



PI=252+52.22
 D = 2 DEG 32' 00.00" (LT)
 D = 0 DEG 10' 00.00"
 L = 1,520.00'
 T = 760.12'
 R = 34,377.47'
 PC STA 244+62.10
 PT STA 259+62.10
 S.E.=NORMAL CROWN

STA 187+00 TO STA 249+00

PLOT DATE = Sep 22, 2008 - 03:17:30 PM
 FILE NAME = c:\pwworking\pender\br-abbgpc\ms32763\data\1.dgn
 PLOT SCALE = 50.9412' / IN.
 USER NAME = br-abbgpc