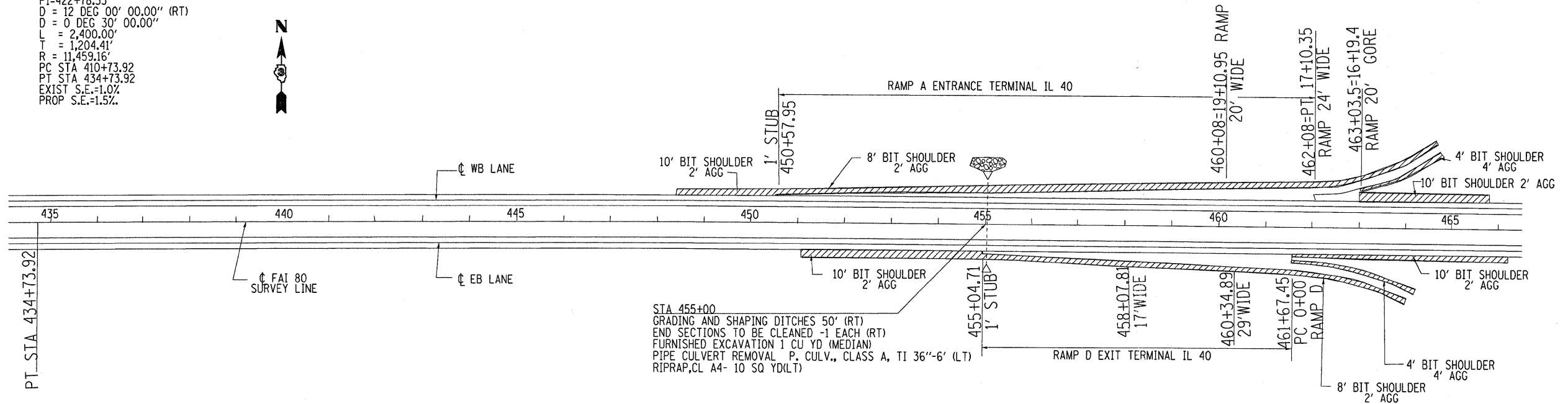


F.A.I. RTE.	SECTION	COUNTY	TOTAL SHEETS	SHEET NO.
80	106-1,2/RS-3, 1	BUREAU	116	25
STA. 401+00		TO STA. 431+00		
FED. ROAD DIST. NO. .		ILLINOIS	FED. AID PROJECT	

PI=422+78.33
 D = 12 DEG 00' 00.00" (RT)
 D = 0 DEG 30' 00.00"
 L = 2,400.00'
 T = 1,204.41'
 R = 11,459.16'
 PC STA 410+73.92
 PT STA 434+73.92
 EXIST S.E.=1.0%
 PROP S.E.=1.5%



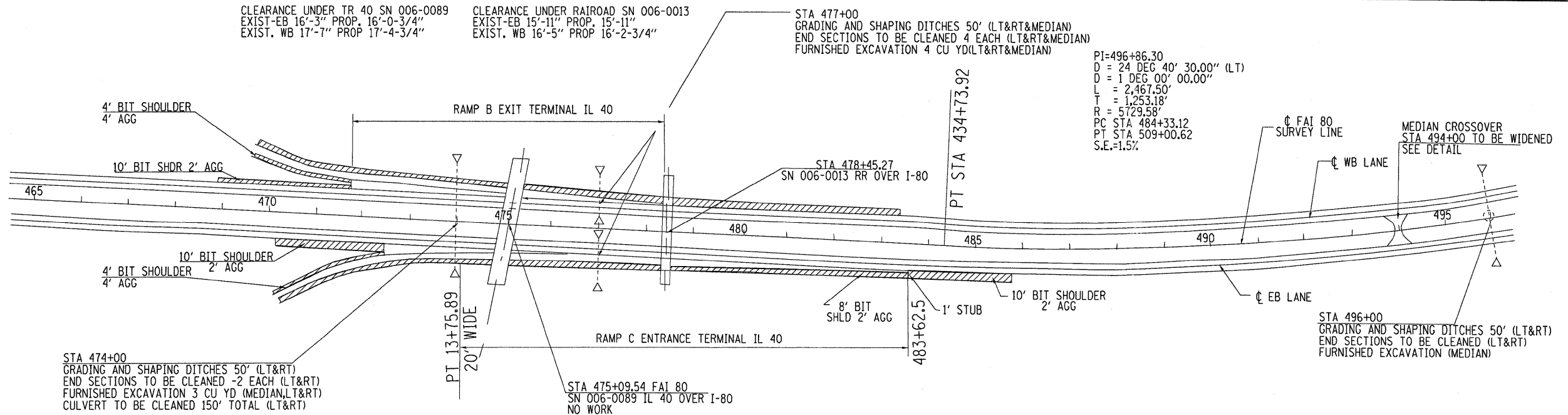
STA 455+00
 GRADING AND SHAPING DITCHES 50' (RT)
 END SECTIONS TO BE CLEANED -1 EACH (RT)
 FURNISHED EXCAVATION 1 CU YD (MEDIAN)
 PIPE CULVERT REMOVAL P. CULV., CLASS A, TI 36"-6' (LT)
 RIPRAP, CL A4- 10 SQ YD(LT)

CLEARANCE UNDER TR 40 SN 006-0089
 EXIST-EB 16'-3" PROP. 16'-0-3/4"
 EXIST. WB 17'-7" PROP 17'-4-3/4"

CLEARANCE UNDER RAIROAD SN 006-0013
 EXIST-EB 15'-11" PROP. 15'-11"
 EXIST. WB 16'-5" PROP 16'-2-3/4"

STA 477+00
 GRADING AND SHAPING DITCHES 50' (LT&RT&MEDIAN)
 END SECTIONS TO BE CLEANED 4 EACH (LT&RT&MEDIAN)
 FURNISHED EXCAVATION 4 CU YD(LT&RT&MEDIAN)

PI=496+86.30
 D = 24 DEG 40' 30.00" (LT)
 D = 1 DEG 00' 00.00"
 L = 2,467.50'
 T = 1,253.18'
 R = 5,729.58'
 PC STA 484+33.12
 PT STA 509+00.62
 S.E.=1.5%



STA 474+00
 GRADING AND SHAPING DITCHES 50' (LT&RT)
 END SECTIONS TO BE CLEANED -2 EACH (LT&RT)
 FURNISHED EXCAVATION 3 CU YD (MEDIAN,LT&RT)
 CULVERT TO BE CLEANED 150' TOTAL (LT&RT)

STA 475+09.54 FAI 80
 SN 006-0089 IL 40 OVER I-80
 NO WORK

STA 496+00
 GRADING AND SHAPING DITCHES 50' (LT&RT)
 END SECTIONS TO BE CLEANED (LT&RT)
 FURNISHED EXCAVATION (MEDIAN)

PLOT DATE = Sep 22, 2008 - 8:31:35:39 PM
 FILE NAME = c:\pawson\work\verdet\brad\proj\dm32763\plan1.dgn
 USER NAME = bradgpc