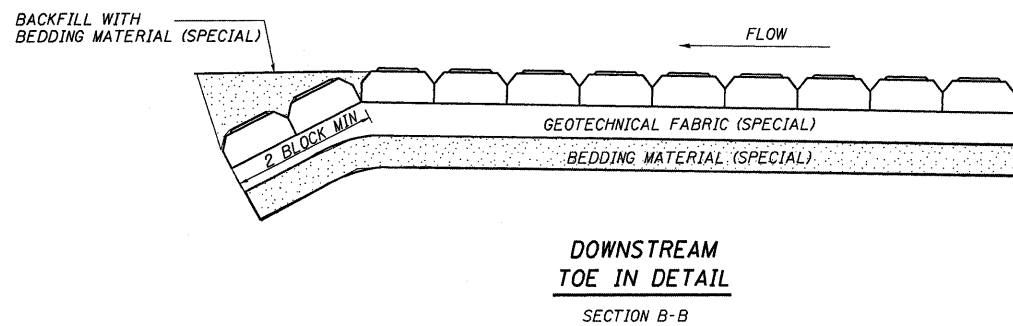
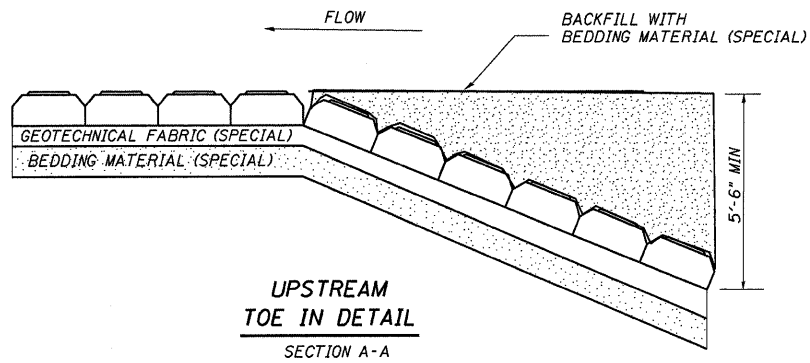
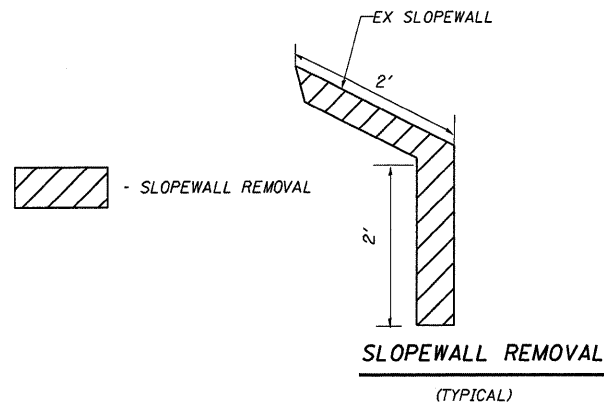
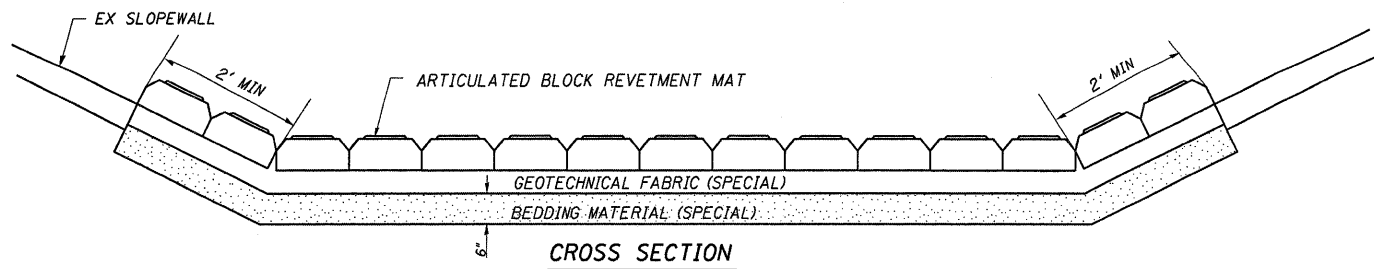


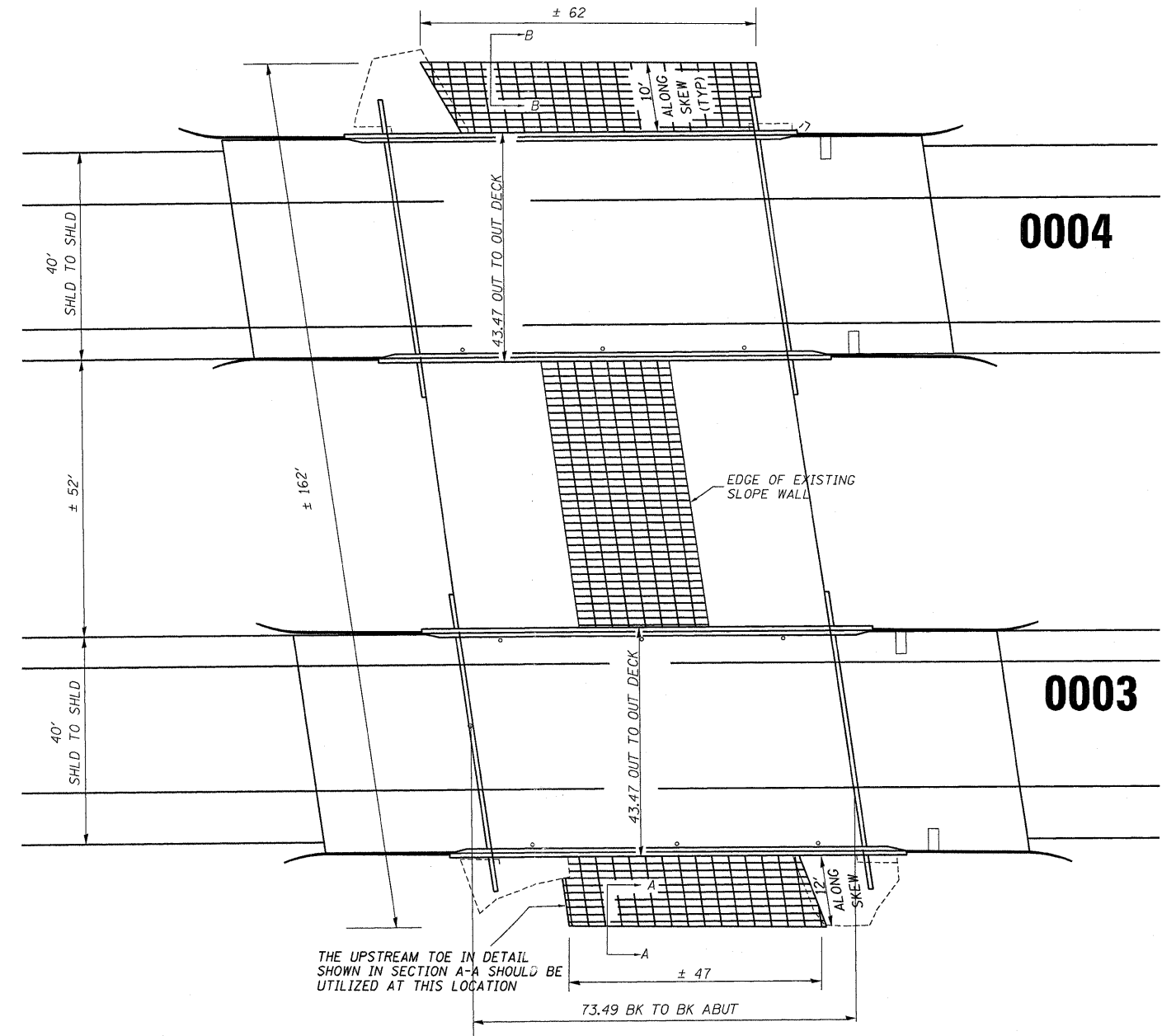
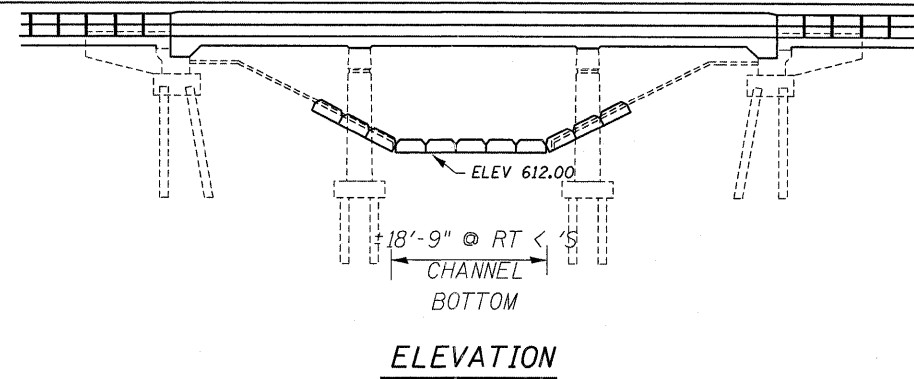
F.A.P. RTE.	SECTION	COUNTY	TOTAL SHEETS	SHEET NO.
80	06-1,2RS-3, I	BUREAU	44	44
STA. _____		TO STA. 116		
FED. ROAD DIST. NO. _____		ILLINOIS		FED. AID PROJECT



NOTE: THIS DETAIL SHOULD BE UTILIZED ON THE AREAS WHERE SLOPEWALL CONNECTION IS NOT POSSIBLE DUE TO EXISTING CONFIGURATIONS UNLESS OTHERWISE NOTED.



NOTE: THE GAP BETWEEN THE EXISTING SLOPEWALL AND ARTICULATED BLOCK REVETMENT MAT SHOULD BE CLEANED, FREE OF DEBRIS AND FILLED WITH GROUT MATERIAL WITH A MIN 4000 PSI



FAI ROUTE 80 OVER BARBARA DITCH
SECTION 06-1B-1R
BUREAU COUNTY
STATION 80+02.50
SN 006-0003 EB
SN 006-0004 WB

SN 006-0003 & 0004 RIPRAP DETAIL

PLOT DATE: 1 Sep 04, 2008 - 08:01:51 AM
FILE NAME: c:\p\work\yrd\06-1b-1r\sn006-0003.dwg
SCALE: 1/2"=1'-0"
USER: NAME: jbradley