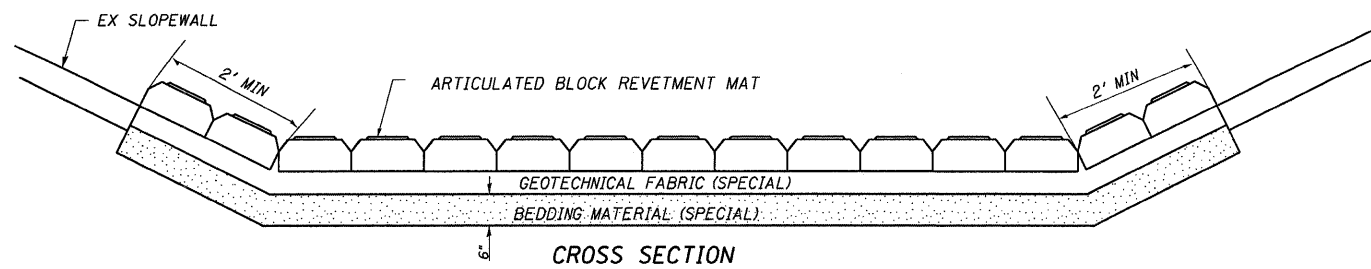
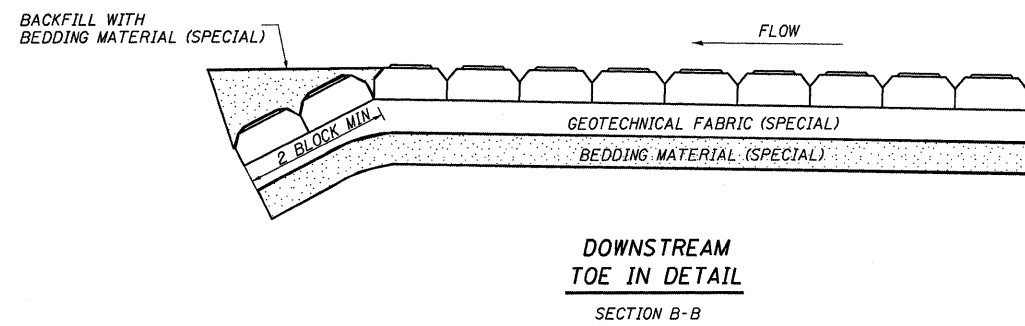
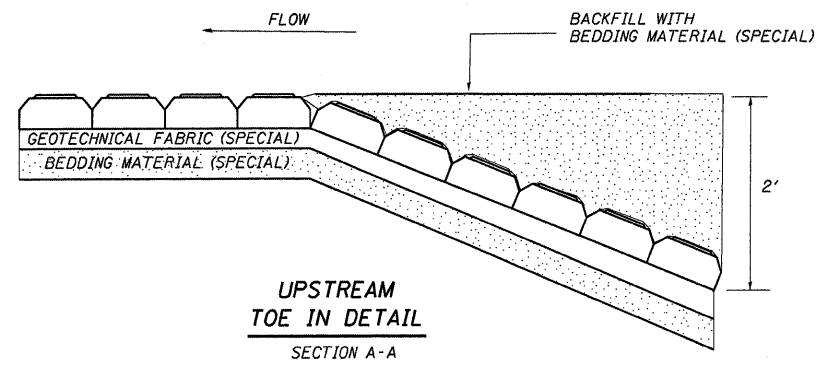
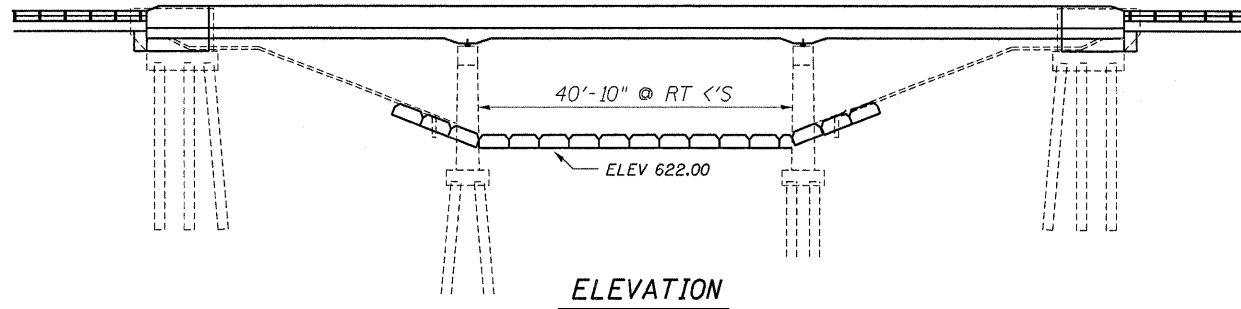
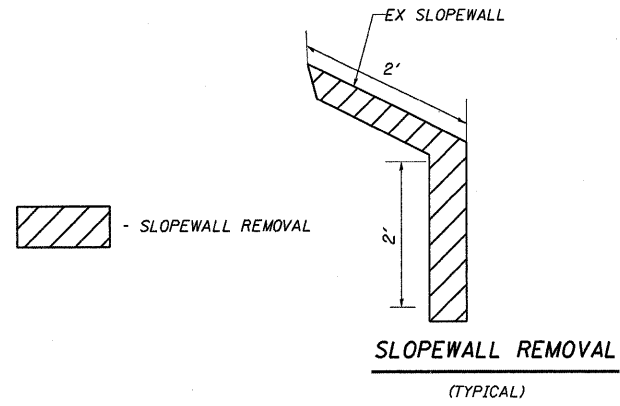
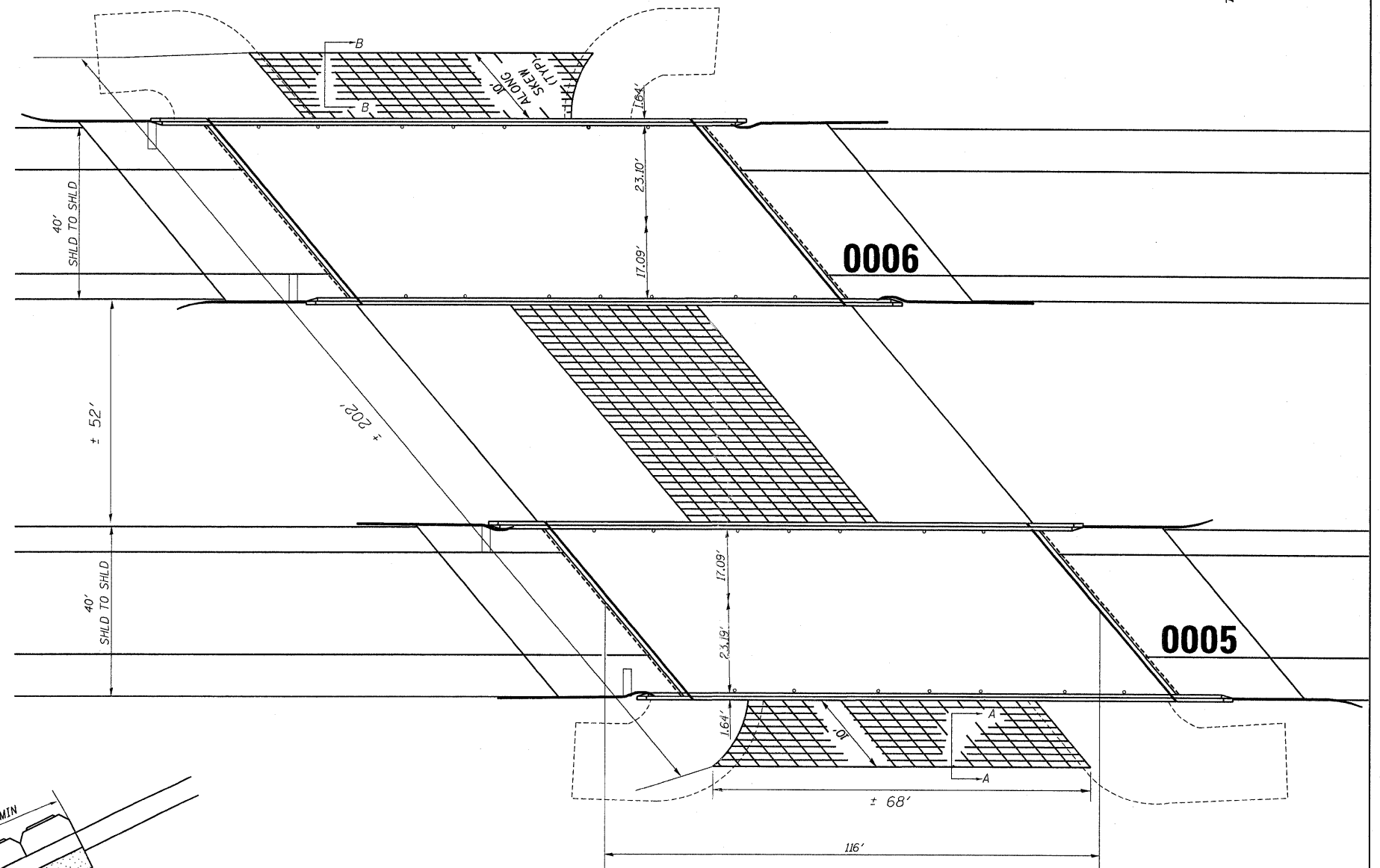


F.A.P. RTE.	SECTION	COUNTY	TOTAL SHEETS	SHEET NO.
80	06-1,2,RS-3, 1	BUREAU	116	46
STA. _____		TO STA. _____		
FED. ROAD DIST. NO. _____		ILLINOIS FED. AID PROJECT		



NOTE: THE GAP BETWEEN THE EXISTING SLOPEWALL AND ARTICULATED BLOCK REVETMENT MAT SHOULD BE CLEANED, FREE OF DEBRIS AND FILLED WITH GROUT MATERIAL WITH A MIN 4000 PSI



PLOT DATE = Sep 04, 2008 - 08:02:28 AM
 FILE NAME = c:\p\work\p\road\06-1,2,RS-3, 1\06-1,2,RS-3, 1.dgn
 PLOT SCALE = 21.344 / IN.
 USER NAME = b\abogco

SN 006-0005 & 0006 RIPRAP DETAIL

FAI ROUTE 80 OVER ABBOTT DITCH
 SECTION 06-1B-2R
 BUREAU COUNTY
 STATION 182+52
 SN 006-0005 EB
 SN 006-0006 WB