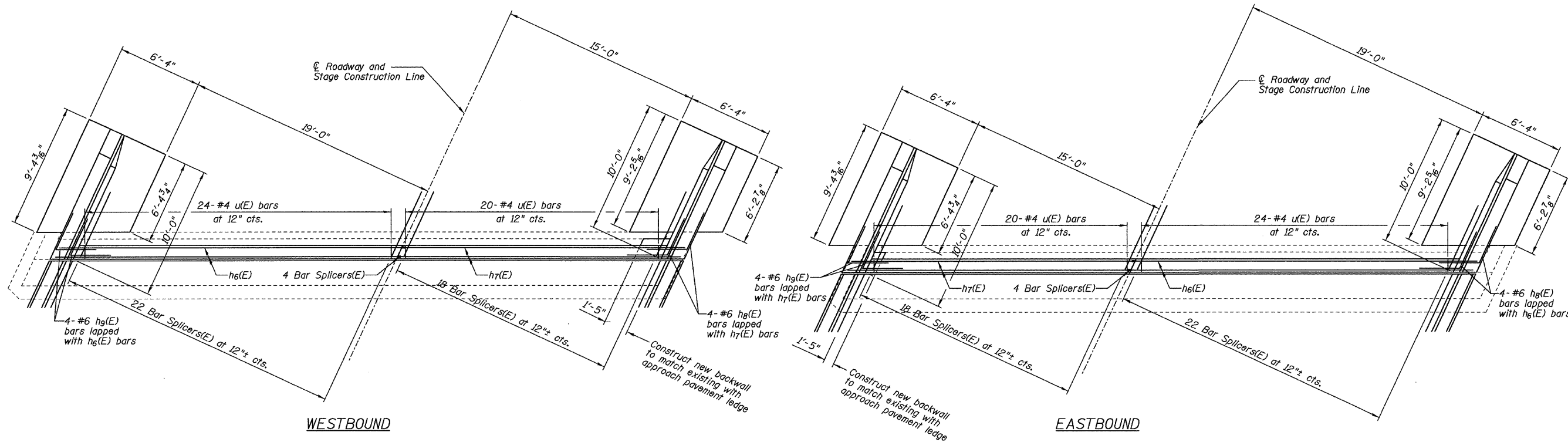


STATE OF ILLINOIS
DEPARTMENT OF TRANSPORTATION

ROUTE NO. F.A.I. 80	SECTION *	COUNTY BUREAU	TOTAL SHEETS 116	SHEET NO. 67
FED. ROAD DIST. NO. 7	ILLINOIS	FED. AID PROJECT		

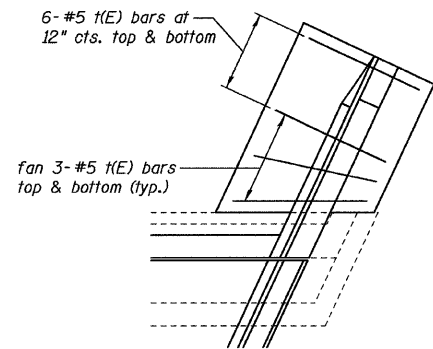
SHEET NO. 18
29 SHEETS

Contract #66623
* (06-1, 2)RS-3, 1



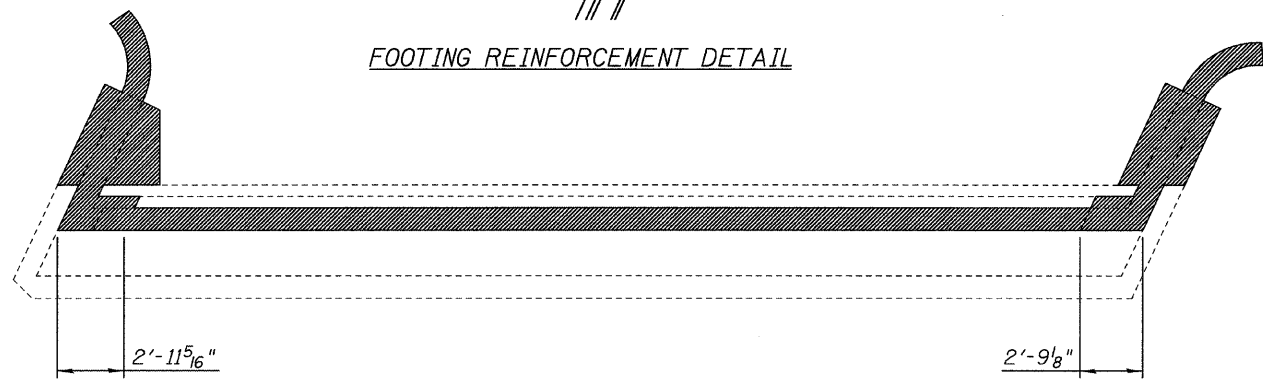
WESTBOUND

EASTBOUND

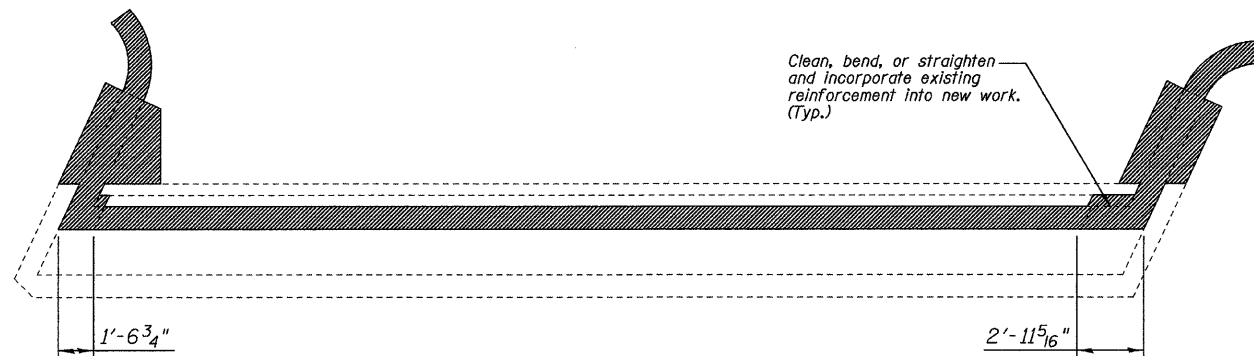


FOOTING REINFORCEMENT DETAIL

PLAN VIEW - EAST ABUTMENTS
Showing New Construction



WESTBOUND



EASTBOUND

PLAN VIEW - EAST ABUTMENTS
Showing Concrete Removal

SUBSTRUCTURE
BILL OF MATERIAL
(East Abutments)

Bar	No.	Size	Length	Shape
h2(E)	8	#4	9'-9"	—
h3(E)	20	#4	10'-6"	—
h4(E)	32	#4	9'-9"	—
h5(E)	20	#4	9'-0"	—
h6(E)	8	#6	25'-8"	—
h7(E)	8	#6	21'-3"	—
h8(E)	8	#6	6'-0"	—
h9(E)	8	#6	6'-0"	—
n(E)	32	#6	9'-10"	—
n1(E)	24	#6	4'-11"	—
f(E)	72	#5	6'-0"	—
u(E)	88	#4	3'-3"	—
v2(E)	44	#6	9'-1"	—
v3(E)	12	#6	9'-1"	—
v4(E)	32	#6	9'-3"	—
w(E)	20	#5	15'-2"	—
Reinforcement Bars, Epoxy Coated			Pound	4,050
Concrete Structures			Cu. Yds.	33.2
Concrete Removal			Cu. Yds.	19.8
Structure Excavation			Cu. Yds.	109

See Sheets 17 and 19 for bent bar details.

DESIGNED	JKC
CHECKED	JLS
DRAWN	NOE
CHECKED	JKC

LEGEND
Concrete Removal

CHAMLIN & ASSOCIATES
PERU ILLINOIS MORRIS

Work this sheet with sheets 19, 20, & 21 of 29.

EAST ABUTMENT DETAILS
F.A.I. 80 (I-80) OVER COAL CREEK
SECTION (06-1, 2)RS-3, 1
BUREAU COUNTY
SN 006-0007 (EB)
SN 006-0008 (WB)
STA. 202+80